



CM

Cup Mounts

The CM cup mounts protect machinery, vehicles and equipment against damaging vibrations and shocks. They are maintenance-free machine elements.

The correct function of the mounts is guaranteed even in an arduous environment due to the pretensioned, fail-safe design of the machine elements. The low-profile CMs are able to isolate machine parts from each other in an effective way. The CMs can be installed in the applications freely in space (X, Y and Z) and at any inclination. Standard CMs are manufactured and delivered with neoprene as damping material.

For applications in the areas of heavy shocks (off-road) and extreme temperatures, we recommend the use of the CMs with high-damping silicone as damping material. Under normal loading conditions, the CMs have a natural frequency of approx. 25 Hz (please refer to the selection diagram for more exact values).

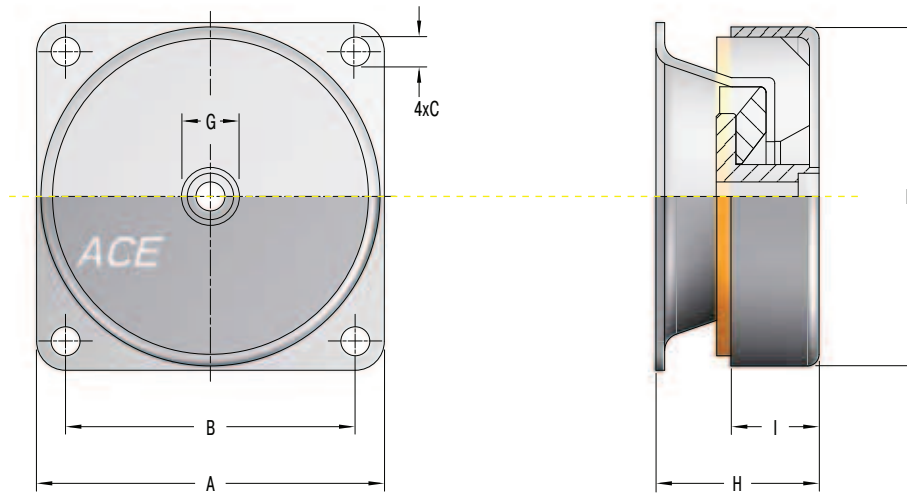
Properties

- Fail-safe
- Can be installed in all spatial axes
- Can be used for shear, compressive and tensile loads
- Available with centric thread or through-hole
- All metal parts galvanised, aluminium or stainless steel optionally available
- Temperature range -30 °C to +80 °C for neoprene
- Temperature range -60 °C to +150 °C for high-damping silicone

Areas of application

- Compressors and other vibrating machines
- Electronic control units and systems
- Crusher plants
- Fans and blowers in construction machinery and in buildings
- Off-road vehicles
- Shipbuilding
- Aircraft construction

CM-VSC1 / CM-VSC2 / CM-VSC3



Type	Thread G	Screw-in depth mm	A mm	B mm	D mm	C mm	H mm	I mm	Weight kg
CM-VSC1-2	M6 or M8	20	60	49.5	58	5.5	28	18	0.2
CM-VSC1-4	M6 or M8	20	60	49.5	58	5.5	28	18	0.2
CM-VSC1-7	M6 or M8	20	60	49.5	58	5.5	28	18	0.2
CM-VSC1-10	M6 or M8	20	60	49.5	58	5.5	28	18	0.2
CM-VSC2-5	M10 or M12	30	76	63.5	76	6.4	38	25	0.45
CM-VSC2-10	M10 or M12	30	76	63.5	76	6.4	38	25	0.45
CM-VSC2-15	M10 or M12	30	76	63.5	76	6.4	38	25	0.45
CM-VSC2-25	M10 or M12	30	76	63.5	76	6.4	38	25	0.45
CM-VSC2-40	M10 or M12	30	76	63.5	76	6.4	38	25	0.45
CM-VSC3-25	M16	19	133	108	124	11.9	63	38	1.8
CM-VSC3-40	M16	19	133	108	124	11.9	63	38	1.8
CM-VSC3-65	M16	19	133	108	124	11.9	63	38	1.8
CM-VSC3-90	M16	19	133	108	124	11.9	63	38	1.8

Difference between stationary and mobile application in the selection diagrams

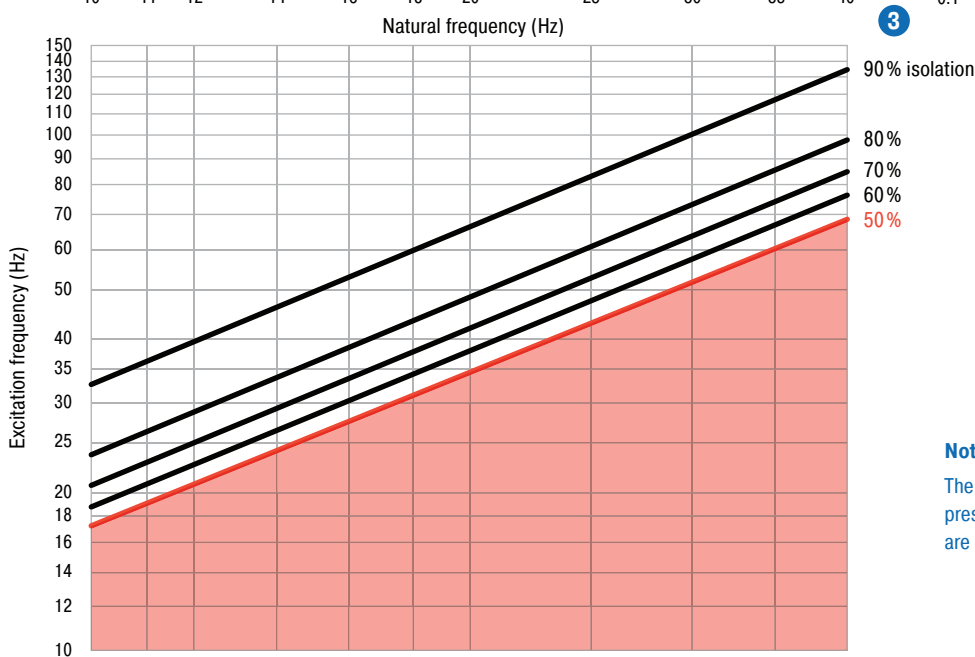
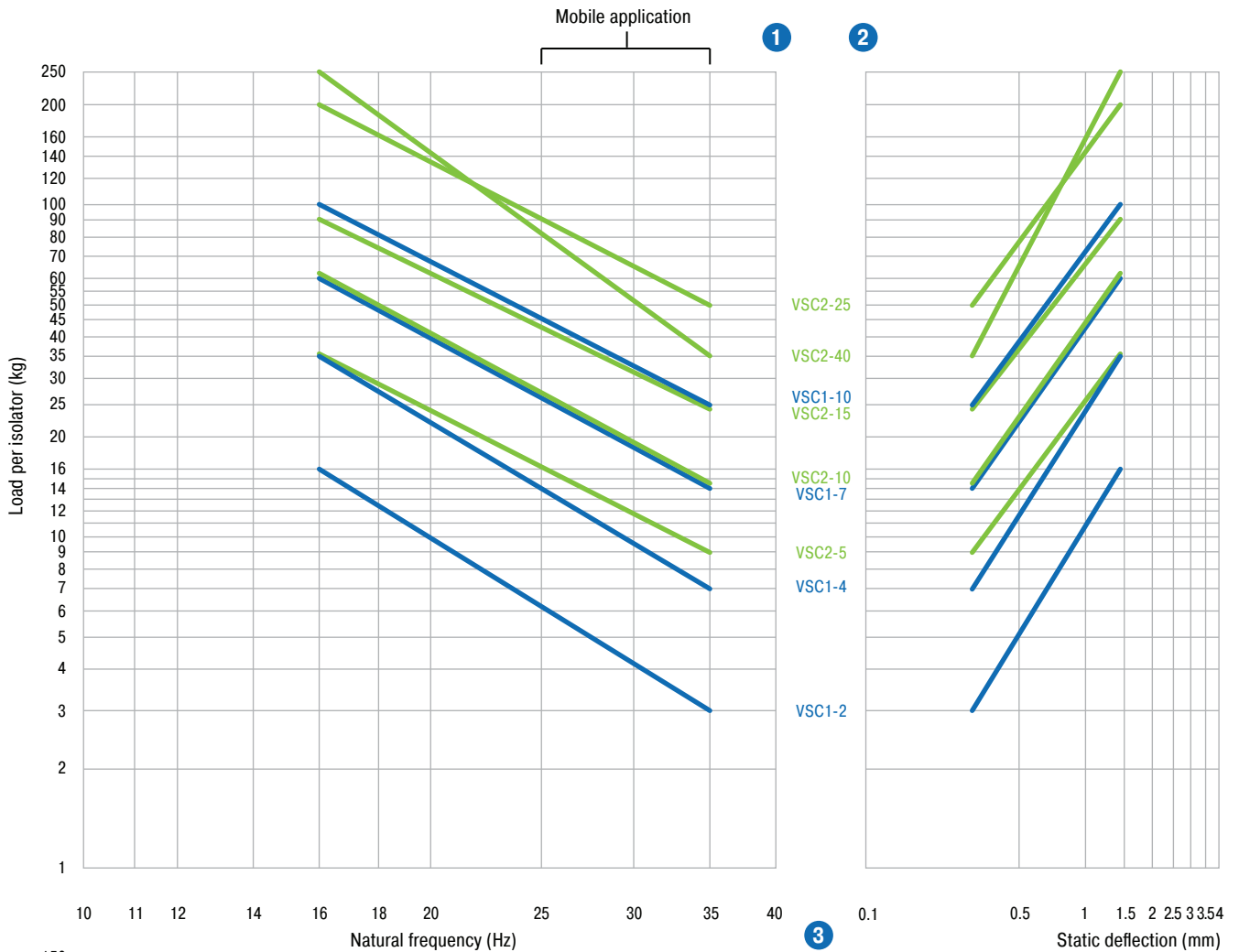
Stationary applications are those in which the cup mounts isolate stationary machines, plants, etc.

Mobile applications, however, refer to applications in which the cup mounts isolate engines, rotors or other parts on moving vehicles. Their range of application is reduced because, in addition to static load, there are additional dynamic loads exerted by the movement which must be considered.

CM – Cup Mounts



CM-VSC1 / CM-VSC2



Notes

The diagrams represent a simplified form of the preselection. Liability and compensation claims are excluded.



CM-VSC3

