

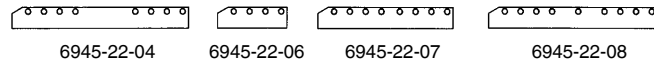
## No. 6945-22-20

### Clamping Bar, short

single acting, with spring return,  
max. operating pressure 400 bar, 1 clamping circuit.

Order no.	Article no.	Clamping force at 400 bar [kN]	Stroke [mm]	Vol. total [cm <sup>3</sup> ]	min. spring force per piston [N]	Weight [g]
61085	6945-22-20-1x3	60	6	8,7	120	3000

Suitable spacer bars:



### Design:

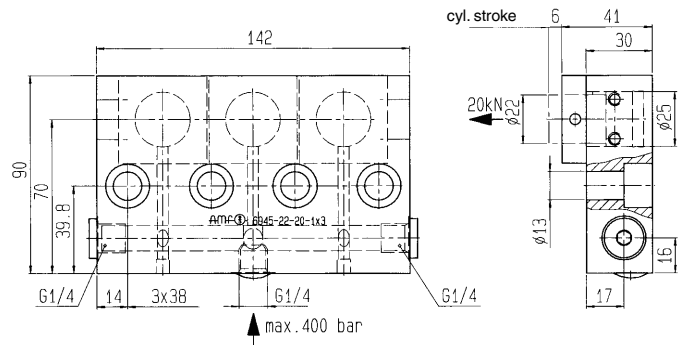
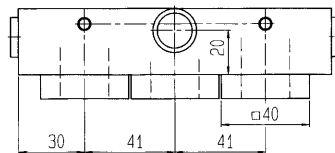
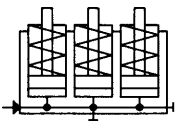
Cylinder body made of tempering steel, phosphated. Piston case-hardened and ground, built-in return spring, with stroke limitation.

### Application:

For quick clamping and unclamping on press table or ram. Suitable for workpieces with uniform clamping rim. The clamping bar is bolted with a spacer bar directly onto the press table or ram. Suitable spacer bars are No. 6945-22-04, -06, -07, -08.

### On request:

Special sizes available on request.



### Sectional view:

Clamping strip 6945-22-20-1x3 with exchangeable clamping pistons.

