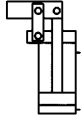


No. 6958E-XX

Vertical clamp, cartridge flange

Double-acting,
max. operating pressure 250 bar,
min. operating pressure 15 bar



Order no.	Article no.	Piston force F5 at 100 bar [kN]	Piston force F5 at 250 bar [kN]	Vol. Sp [cm ³]	Vol. Lo [cm ³]	Piston dia. [mm]	eff. piston area Sp [cm ²]	eff. piston area Lo [cm ²]	Weight [g]
328013	6958E-20	3,1	7,8	6,6	2,3	20	3,1	1,10	350
328039	6958E-30	7,0	17,5	22,6	7,8	30	7,0	2,54	1100
562196	6958E-50	19,6	49,0	93,3	37,1	50	19,6	7,8	3850

Sp = clamp, Lo = unclamp

Design:

Housing made of steel, outer surface nickel-coated, piston rod hardened. Clamp arm not included. Housing with two holes for connection of anti-twist protection. One cylinder pin for anti-rotation device is enclosed loose. Oil supply via oil channel in fixture body.

Application:

Vertical clamp is especially suited for clamping fixtures in which oil is supplied through conduits drilled in the fixture body. Insert for clamping fixtures with limited space. Installation of the vertical clamp can be adjusted 360°.

Features:

Large clamping force in the smallest installation space. Clamping lever opens 90°, resulting in easy loading or removal of the workpieces, manually or by robots.

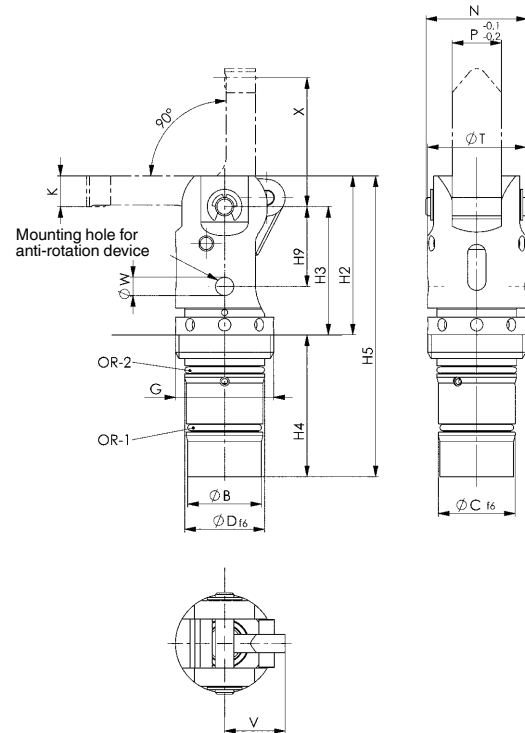
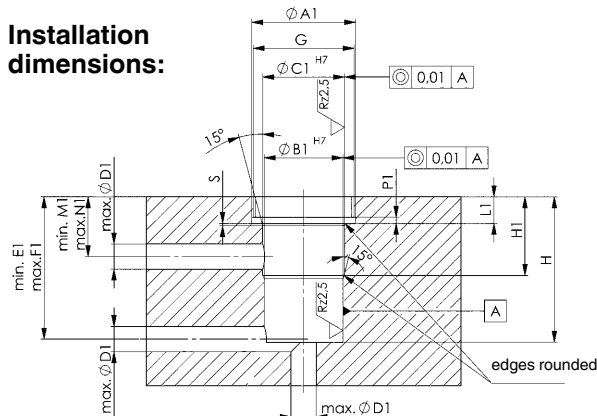
Note:

The insertion bevels for the seals must not have any sharp transitions. Mill the thread up to the flat. Lubricate housing for mounting. For installation, use hook spanner for size 20 = order no. 54916 and for size 30 = order no. 54940 and for size 50 = order no 54973.

On request:

Other sizes available on request.

Installation dimensions:



Dimensions:

Order no.	Article no.	dia. B	dia. C	dia. D	G	H2	H3	H4	H5	H9	N	P	K	dia. T	V	dia. W
328013	6958E-20	24	25	26	M32x1,5	51,8	41,8	46,2	98	26	33,0	22	10	32	19,69	6
328039	6958E-30	36	37	38	M48x1,5	77,0	62,0	69,0	146	38	49,5	32	15	48	29,54	8
562196	6958E-50	58	59	60	M72x2,0	116,0	93,0	99,0	215	57	73,0	40	23	72	48,43	12

Installation dimensions:

Order no.	Article no.	dia. A1	B1 H7	dia. C1 H7	dia. D1	min. E1	max. F1	G	H	H1	L1	min. M1	max. N1	P1	S	OR-1 O-ring Order No.	OR-2 O-ring Order No.
328013	6958E-20	33	25	26	8	45,2	47,2	M32x1,5	46,2	25	8,5	19,0	21,0	2,0	0,7	554575	554576
328039	6958E-30	49	37	38	10	68,0	70,0	M48x1,5	69,0	35	12,0	27,5	29,5	2,5	0,6	554577	554578
562196	6958E-50	73	59	60	12	97,0	101,0	M72x2,0	99,0	55,1	16,0	34,5	38,5	2,5	1,0	562535	562536

Subject to technical alterations.