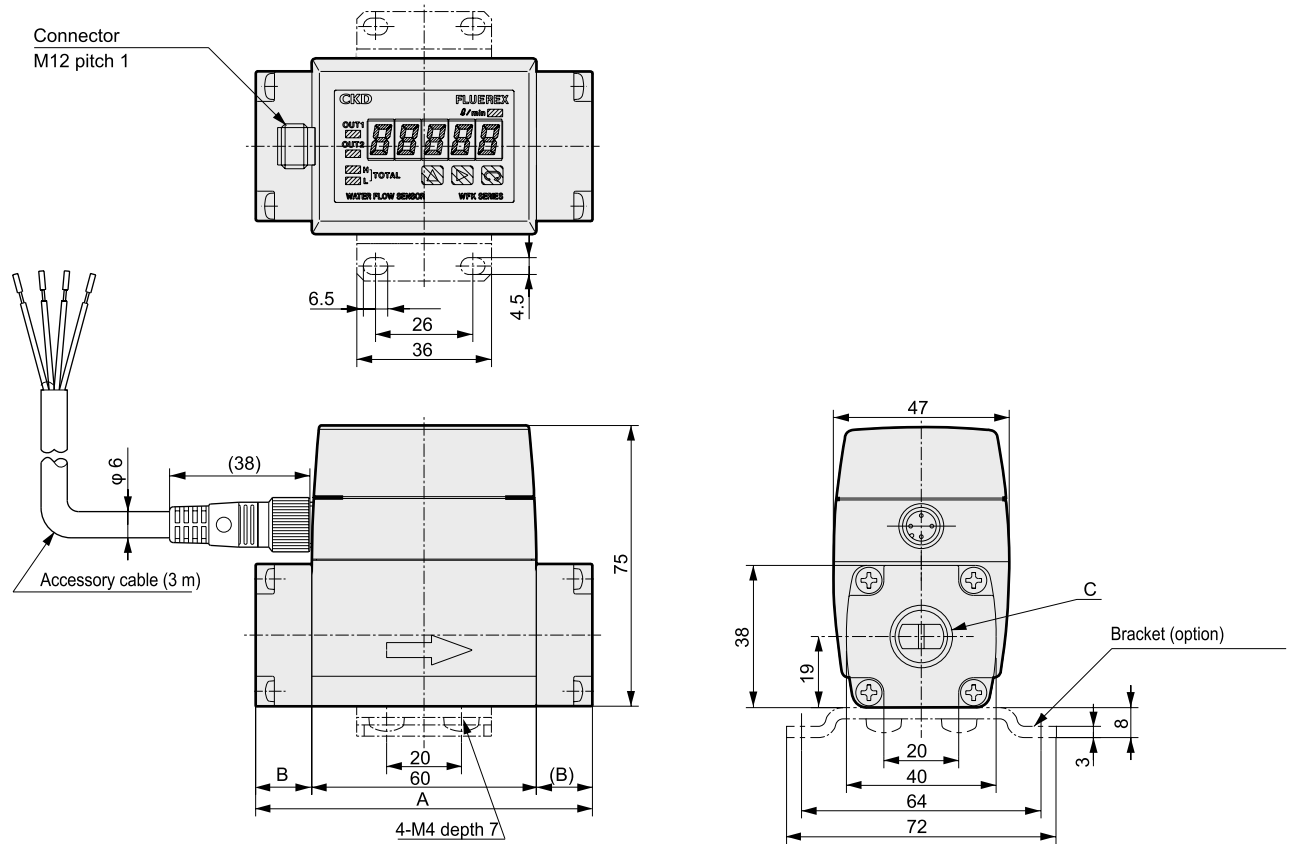


Dimensions



Model no.	A	B	C
WFK50**-10	90	15	Rc3/8
WFK50**-15	90	15	Rc1/2
WFK50**-20	105	22.5	Rc3/4
WFK50**-10N	90	15	3/8NPT
WFK50**-15N	90	15	1/2NPT
WFK50**-20N	105	22.5	3/4NPT

F.R.L. unit

Pneumatic auxiliary components

Air unit components

Precision components

Pressure sensor

Total air system

Main line unit

Main line unit

Ending

Small size flow rate sensor

Small size flow rate controller

Flow rate sensor for air

Flow rate sensor for water