



eCATALOG SOLUTIONS | PART COMMUNITY

DIE VERTIKALEN MARKTPLÄTZE

ERSCHLIESSEN VON NEUEN KUNDENPOTENTIALEN

Company & Logo



Founded 1992
100 % privately owned
Process chains
(CADENAS hisp. chains)

My Person

Jürgen Heimbach

Employees



~ 300 worldwide



Markets



Growth > 20 %
~ 350,000 Licenses and > 500 catalogs

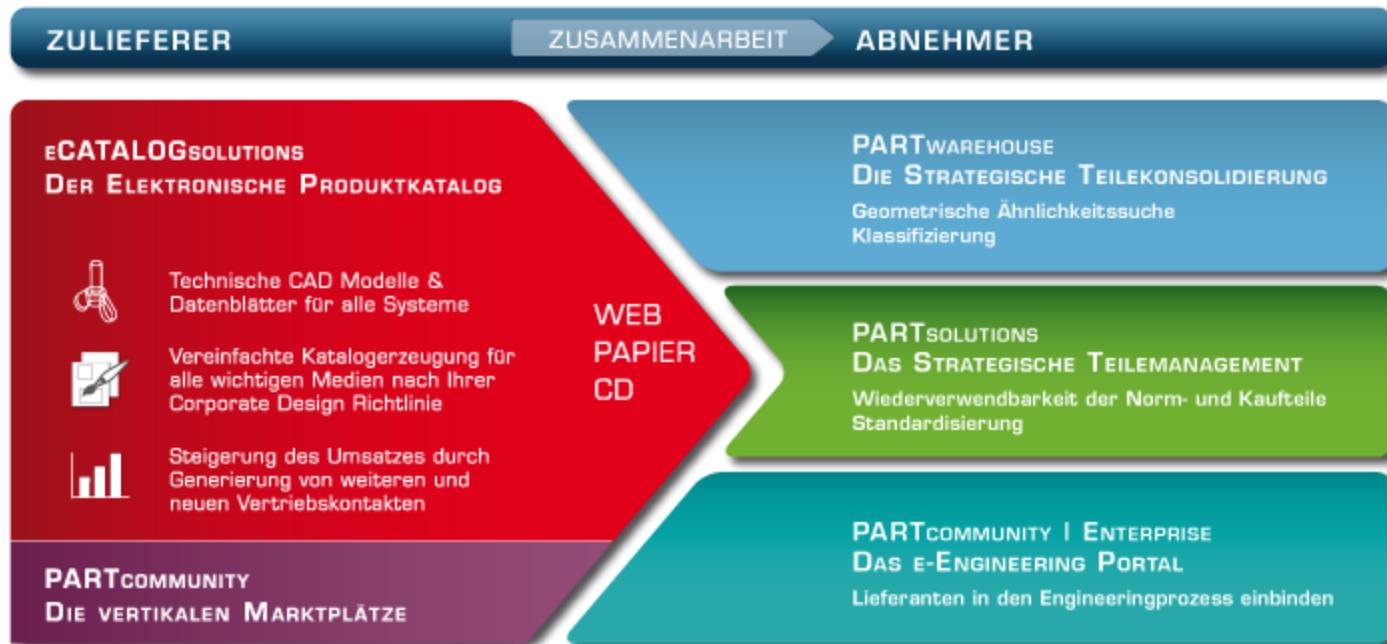




The CADENAS Product portfolio

eCATALOG SOLUTIONS | PART COMMUNITY

DIE VERTIKALEN
MARKTPLÄTZE





- **Login transfer**
- **Single Sign On solution**
- **Dynamic view per table line**
- **Search engine optimization**
- **New statistics and accounting tool**
- **Innvoations and improvements**



Login transfer and SSO Motivation

eCATALOG SOLUTIONS | PART COMMUNITY

DIE VERTIKALEN
MARKTPLÄTZE

- **More and more manufacturers have their own webshops, where deeplinks refer to the CAD data from the PARTcommunity Portal of the manufacturer**
- **Currently a user, who wants to make use of both systems has to login separately in the manufacturer's webshop and on the PARTcommunity Portal.**
- **If the user is logged-in and changes to PARTcommunity with a deeplink, he has to sign-up again.**
- **This causes extremely high dissatisfaction, since many users don't know how to work with two systems.**





- **In order to prevent this, PARTcommunity offers two solutions:**
 - Login transfer:
By means of two servlets users from the manufacturer's database can automatically be registered in PARTcommunity and when they select a deeplink they are automatically logged-in.
 - Single Sign On (SSO):
Connecting PARTcommunity to an SSO Server which the customer operates. Users from the manufacturer's database are automatically recorded and logged-in for PARTcommunity.



Login transfer

Enter user data

- **The first step for login transfer is to enter user data into PARTcommunity**
- **User data is transmitted to PARTcommunity user data base by a servlet in an encrypted form. He is then only a user of the manufacturer's PARTcommunity Portal**
- **Since every manufacturer gets his own key, it can be excluded that users change or delete each other**
- **If the user data is changed it is transmitted via the servlet to PARTcommunity**



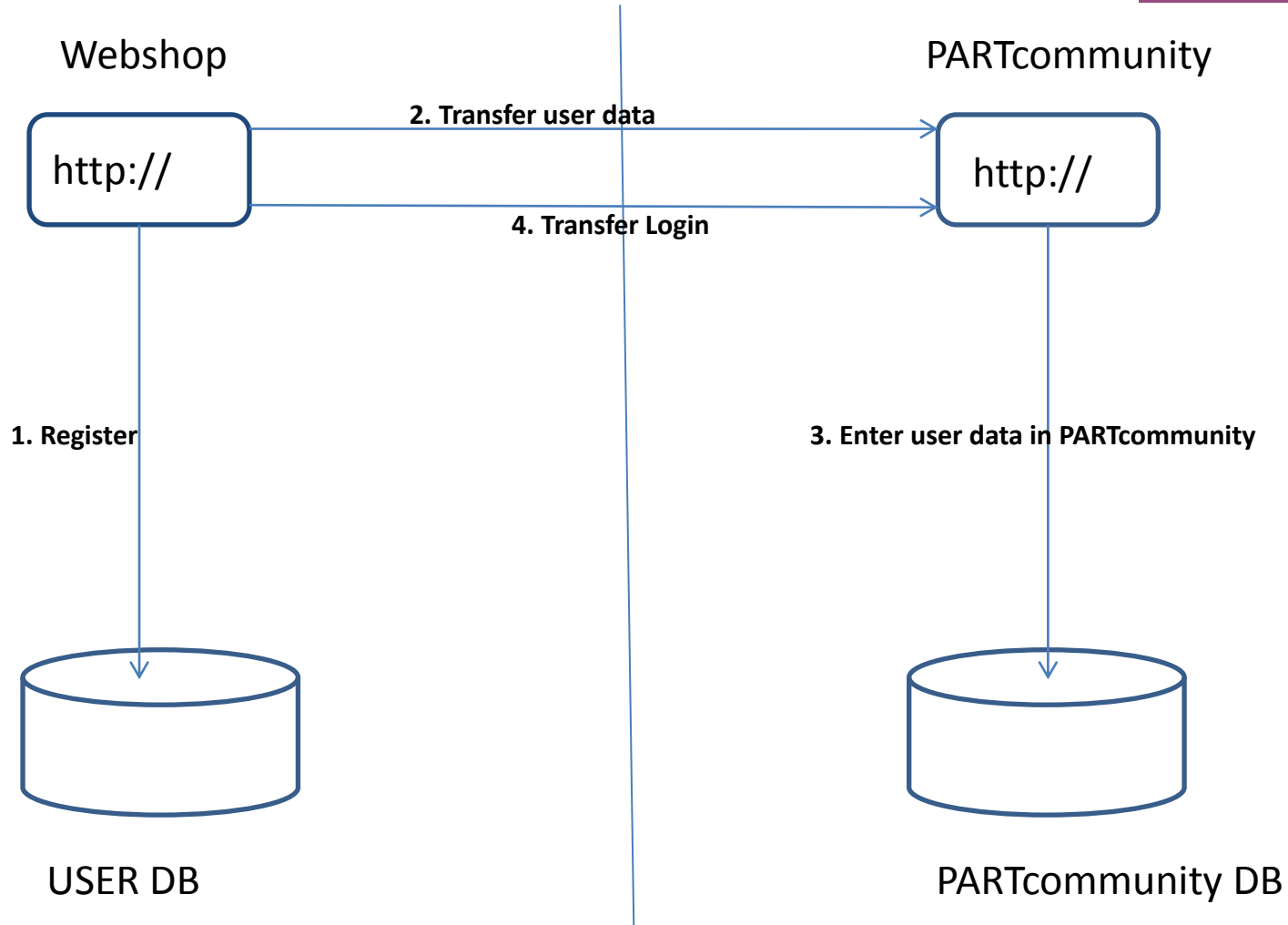
Login Transfer

Register users

- **To register a user automatically for PARTcommunity, the user name and password are automatically transmitted to PARTcommunity in an encrypted form**
- **This data can also be transmitted with PARTcommunity deeplinks**
- **The leading system is the manufacturer's data base, thus all changes of the user data have to be performed in this data base and then transferred to PARTcommunity**



Login Transfer Process





Login Transfer Advantages

eCATALOG SOLUTIONS | PART COMMUNITY

DIE VERTIKALEN
MARKTPLÄTZE

- **No additional hardware necessary**
- **Low development effort, CADENAS provides complete Java and PHP examples**
- **Simply linking manufacturer webshop and PARTcommunity**





Login Transfer Disadvantages

- **Login transfer is only possible in one direction**
- **To avoid data inconsistency special settings have to be made in PARTcommunity**
- **It is possible to grant miscellaneous access to webshop users and standard PARTcommunity users, however it bears risks**



Single Sign On Function

eCATALOG SOLUTIONS | PART COMMUNITY

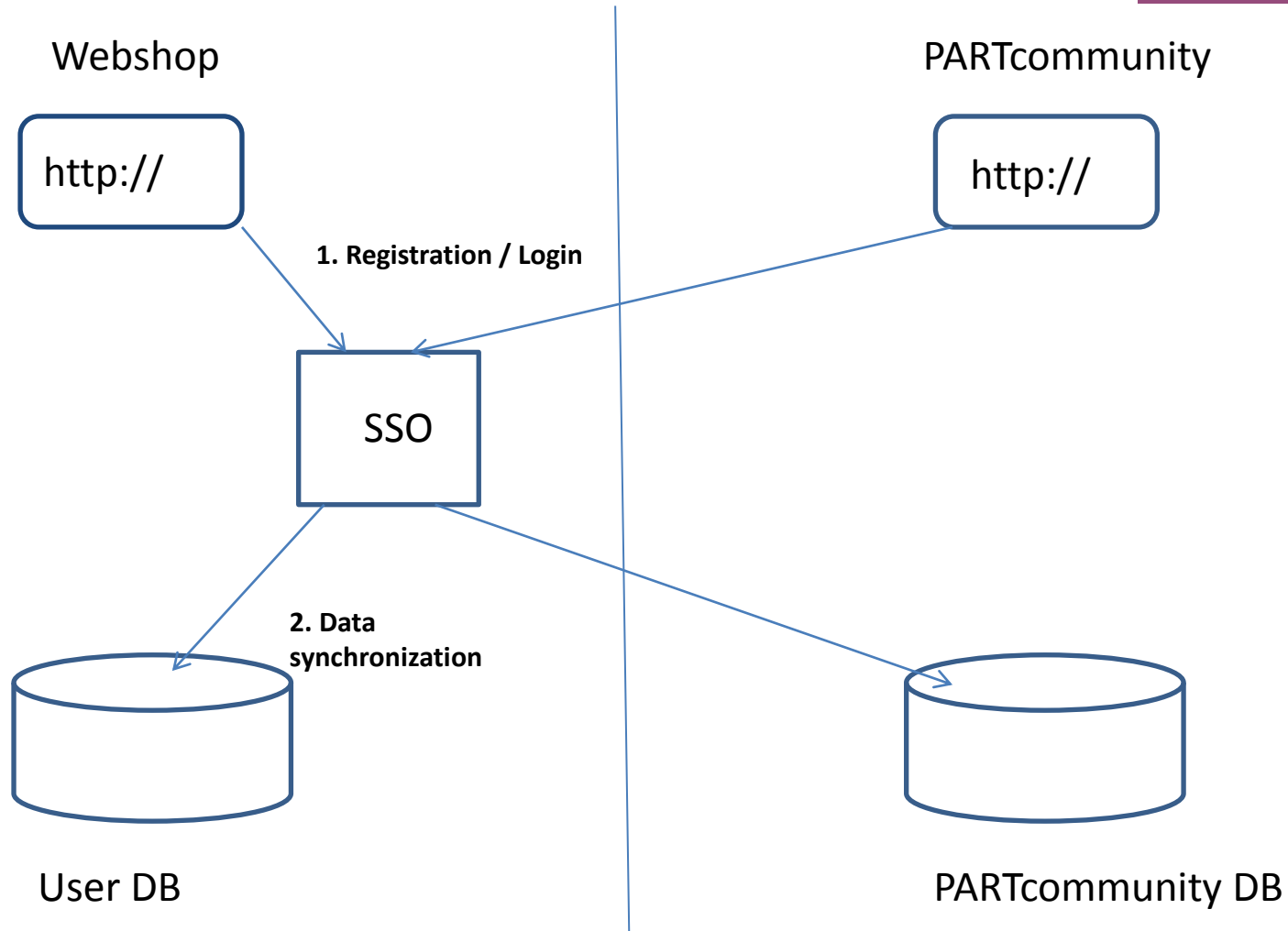
DIE VERTIKALEN
MARKTPLÄTZE

- **A SSO Server expands the principle of the login transfer**
- **A user doesn't login to the manufacturer's webshop or the PARTcommunity Portal, but logs-in to an SSO Server.**
- **Webshop and PARTcommunity query the SSO Server, if a user is allowed to login and if so it is checked whether he is already logged-in**
- **Thus it is sufficient to login to the system once, this login applies for all connected systems.**





Single Sign On Process





Single Sign On Advantages

eCATALOG SOLUTIONS | PART COMMUNITY

DIE VERTIKALEN
MARKTPLÄTZE

- **Several systems can be connected to an SSO Server.**
- **Changes to the user data is automatically transferred to all connected systems**
- **Login to only one system, applies for all connected systems**
- **Control users without further configurations in PARTcommunity**





Single Sign On Disadvantages

- **Additional hard and software effort**
- **High initial development effort**



- **So far there has always been a standard view for all lines when calling up part tables in in PARTcommunity**
- **To get the current view after choosing a line, a preview has to be generated**
- **Many users are not aware of this intermediate step**
- **Except the 3D view no other views have been updated**



- **For registered users a PARTcommunity Portal can be configured in a way, that when selecting a table line the 3D view is automatically recalculated**
- **The same way all other views can be generated automatically (Dimensioning, animated GIF, 3D PDF)**
- **Nevertheless it is always possible to generate a preview of all previews anew**



Standard Views

Vorschau Animation Maßbild 3D-PDF

Dies ist eine vorgenerierte Standardansicht, die sich von Ihrer Auswahl unterscheiden kann.

POWERED BY
CAD | PART
ENAS

Navigation icons: Home, Back, Forward, Search, etc.

Vorschau Animation Maßbild 3D-PDF

Dies ist ein vorgeneriertes Standard Maßbild, das sich von Ihrer Auswahl unterscheiden kann.

Voransicht
ausblenden
Größe: 100x100

Vorderansicht

Navigation icons: Home, Back, Forward, Search, etc.



Dynamic views Process

Dynamic previews

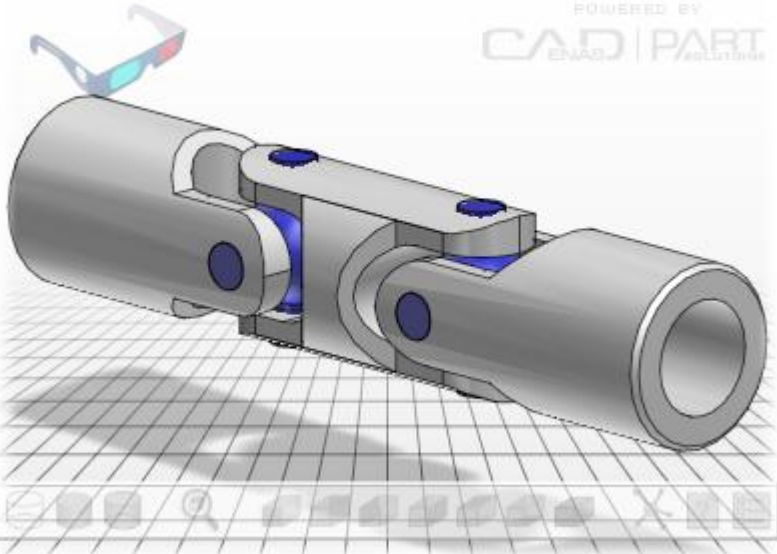
| | | LINA Stückliste | Name |
|---|---|---|-----------------------------------|
|  | 1 |  Wellengelenk DIN 808 D10x16-G | Wellengelenk DIN 808 D10x16-G |
|  | 2 |  Wellengelenk DIN 808 D10xN10x16-G | Wellengelenk DIN 808 D10xN10x16-G |
|  | 3 |  Wellengelenk DIN 808 DN10x10x16-G | Wellengelenk DIN 808 DN10x10x16-G |



Vorschau Animation Maßbild 3D-PDF

Voransicht für Wellengelenk DIN 808 D10x16-G

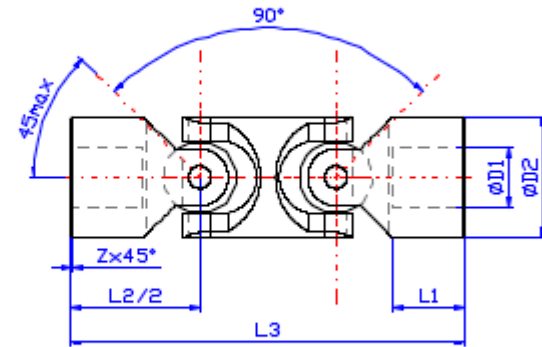
POWERED BY
CAD ENAS | PART SOLUTIONS



Vorschau Animation Maßbild 3D-PDF

Voransicht für Wellengelenk DIN 808 D10x16-G

Vorderansicht





Dynamic views

Advantages/Disadvantages

eCATALOG SOLUTIONS | PART COMMUNITY

DIE VERTIKALEN
MARKTPLÄTZE

- **Advantages**
 - The user always has the current previews of the selected part
- **Disadvantages**
 - Long waiting period when selecting a line, especially in case of more complex parts
 - Higher data volume, thus higher costs for the operator depending on the payment model





Search engine optimization Changes of PARTcommunity 2.0

eCATALOG SOLUTIONS | PART COMMUNITY

DIE VERTIKALEN
MARKTPLÄTZE

- **So far cookies were essential for PARTcommunity 1.x. Thus PARTcommunity sites couldn't be browsed by robots, since they cannot evaluate cookies.**
- **PARTcommunity 2.0 can now be browsed since cookies are not essential.**





Search engine optimization

Keywords and Description

- In PARTcommunity 2.0 you can define key words for search engines in different languages for each portal
- For each portal a description for search engines can be defined

```
<!-- insert header content that was possibly set by portlets on the page -->
<meta name="keywords" lang="de" content="3D, Modelle, CAD, Zeichnung, Download, Inventor, SolidEdge, Solidworks, Catia, ProE"/>
<meta name="keywords" lang="zh" content="标准件库, 零部件库, 在线模型库, 三维资源, CAD模型下载, 三维模型下载, 图纸免费下载, 零部件数据资源, 设计资源, CAD数据资源"/>
<meta name="keywords" lang="it" content="3D, modello, CAD, disegno, download, Inventor, SolidEdge, Solidworks, Catia, ProE"/>
<meta name="keywords" lang="en-us" content="3D, models, CAD, drawing, download, Inventor, SolidEdge, Solidworks, Catia, ProE"/>
<meta name="keywords" lang="fr" content="3D, modèle, CAO, dessin, téléchargement, Inventor, SolidEdge, Solidworks, Catia, ProE"/>
<meta name="keywords" lang="en" content="3D, models, CAD, drawing, download, Inventor, SolidEdge, Solidworks, Catia, ProE"/>
<meta name="keywords" lang="es" content="3D, modelos, CAD, dibujo, descarga, Inventor, SolidEdge, Solidworks, Catia, ProE"/>
<meta name="keywords" lang="ja" content="3次元, モデル, キャド, 図面, ダウンロード, インベーター, ソリッドエッジ, ソリッドワークス, キャティア, プロE"/>
<meta name="description" content="3D CAD models and 2D drawings download service for Catia Inventor Solidworks SolidEdge ProE NX"/>
<meta name="robots" content="all"/>
```



Search engine optimization Optimized links

eCATALOG SOLUTIONS | PART COMMUNITY

DIE VERTIKALEN
MARKTPLÄTZE

- **Directly after the portal link a description from the PARTsolutions catalog is attached for the product which is currently selected**
- **The text directly after the link is highly weighed by search engines thus they can directly locate.**
- **For example Balluff BUSM18, order code: BUS000W**
<http://balluff.partcommunity.com/Balluff-Ultraschall-Sensoren-BUS-M18-BUS-M18>





Search engine optimization Example

eCATALOG SOLUTIONS | PART COMMUNITY

DIE VERTIKALEN
MARKTPLÄTZE

Google

balluff BUS000W cad|



Suche

6 Ergebnisse (0,26 Sekunden)

Alles

[Balluff CAD Data Service](#)

[balluff.partcommunity.com/Balluff-Ultraschall-Sensoren-BUS-M18-...](#)
2, CAD MODELL konfigurieren, BALLUFF BUS M18KD-NSXEP-060-EP00,3-GS92,
BUS000W, BUS M18KD-NSXEP-060-EP00,3-GS92, 45487_01, NPN ...
Sie haben diese Seite am 17.01.12 besucht.

Bilder

Maps

Videos

News

Shopping

Mehr

[PARTeducation - The CAD standard parts portal for education](#)

[parteducation.partcommunity.com/Balluff-Ultraschall-Sensoren-BUS...](#)
2, CAD MODELL konfigurieren, BALLUFF BUS M18KD-NSXEP-060-EP00,3-GS92,
BUS000W, BUS M18KD-NSXEP-060-EP00,3-GS92, 45487_01, NPN ...

[Balluff GmbH - sensors worldwide](#)

[www.balluff.com/Balluff/de/HomeChannel/de/](#)
Balluff GmbH - über 50 Jahren Erfahrung in der Herstellung von Sensortechnik für die
Industrie und Fabrikautomation.

Augsburg

Standort ändern

Das Web

Seiten auf Deutsch

Seiten aus Deutschland

Übersetzte Seiten

[Balluff US - CAD Drawings - Cadenas Library](#)

[www.balluff.com/Balluff/us/.../CAD.../en/](#) - Diese Seite übersetzen
downloads. / cad drawings. / balluff us - cad drawings - cadenas library ... Configure
and download. 2D and 3D files for **Balluff** products in CADENAS library.





- **New statistic and accounting programmes use the PARTcommunity 2.0 Technology**
- **This way it is possible to show administrators the statistics of the portal in an extra tab on the portal**
- **Only one page and one account is necessary**
- **Uniform control elements in all administrative programmes**



- **The statistics and accounting tool use the same database**
- **Transparent display of invoice items, it is easier to understand the invoice amount**
- **Precalculation of statistic diagrams that are often used, thus they can be displayed faster**
- **Data can be exported as csv or pss file**
- **Requests can be saved as templates and and quickly be used again**



Statistics and accounting Innovations

eCATALOG SOLUTIONS | PART COMMUNITY

DIE VERTIKALEN
MARKTPLÄTZE

Statistic

Statistic > Search >

Type

- Orders
- Billing whole assembly
- Billing files regular
- Billing files sent
- Orders per day
- Orders per month
- Orders per hour
- Orders per top user
- Orders per servertime
- Order items per day
- Order items per month
- Order items per CAD system

Interval

From:

To:

Catalogs

Filter:

| Available Catalogs ▲ |
|----------------------|
| norm_dev |
| norm_qa |
| norma |
| norma_dev |
| norma_qa |
| normteilkatalog |

| Selected Catalogs ▲ |
|---------------------|
| norm |



Statistics and accounting Innovations

Statistic

Statistic > Search > Order items per month >

Parameters

Type: Order items per month

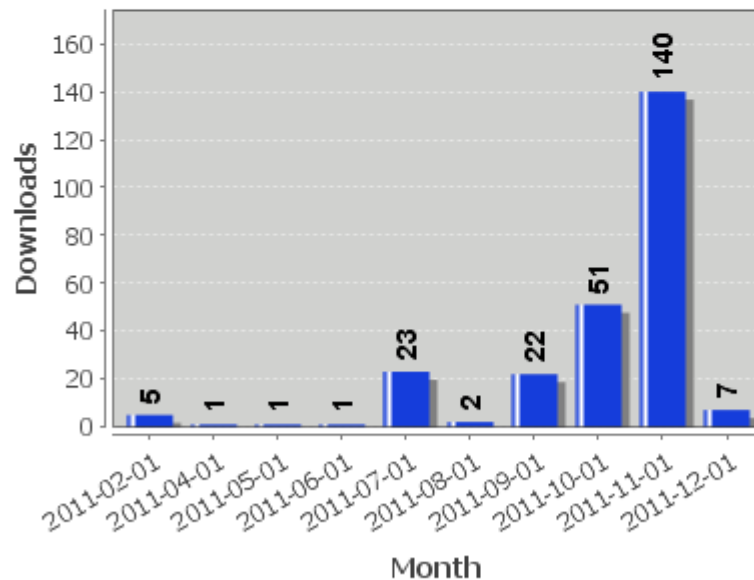
Interval: 01.01.2011 00:00 - 31.12.2011 23:59

Catalogs: norm (1)

Actions

[+ Save as template](#) [Export](#)

Order items per month



<< Back



- **Comment function for parts**

- For users it will be possible to comment on parts. These comments can be managed via the social engine of CADENAS or via Facebook

4 Kommentar(e)



Als [Max Mustermann](#) posten [Kommentieren](#)



[Max Mustermann](#) - Augsburg, Germany

Amazing search result for Screw M8x20. Found it directly with correct measures!

Gefällt mir - 0 likes - 2012-01-30 07:59:18



[Mafr Gaming](#) - Augsburg, Germany

I found this part with the geometrical search on my own uploaded part. It works great. ;)

Gefällt mir - 0 likes - 2012-01-30 07:53:32



[admin](#) - Augsburg, Germany

Thanks. The directory "bolts" may help you with some similar parts.

Gefällt mir - 0 likes - 2012-01-30 07:43:00



[Manuel Freiholz](#) - Augsburg, Germany

What an amazing part!

Gefällt mir - 0 likes - 2012-01-30 07:40:45





- **New layout, so the portal can be completely integrated into another site**
 - This way the CAD download portal can be integrated into the homepage of the manufacturer, for example, but also on other websites like Facebook



■ **Similarity display of geometric search**



- The search results of the geometric 3D and 2D search are supplemented with a percentage indicator which shows the similarity between the basic part and the found parts. Thus it is easier to find a matching part.

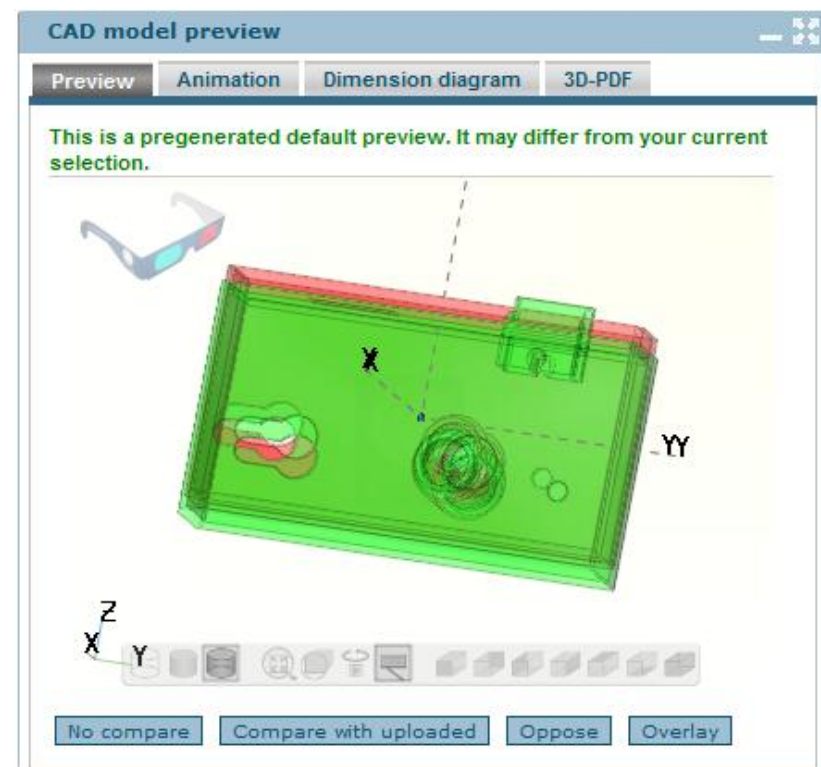
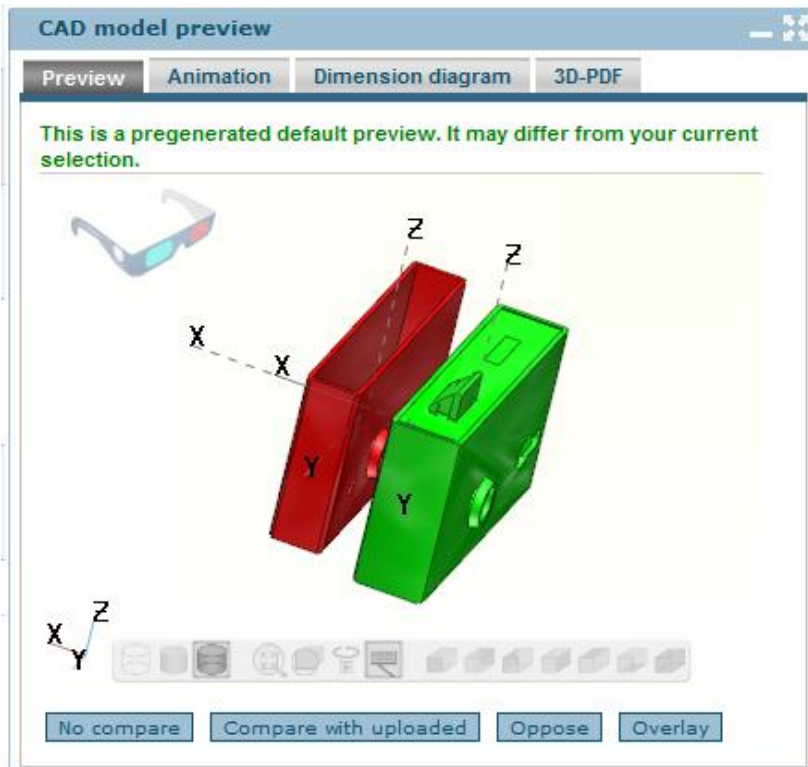
| | | |
|---|-----|--|
|  | 86% | KS D 3503 - T-Beams - Norm - |
|  | 86% | DIN 5532 - Rohrschellen aus Aluminium-Knetlegierung, einlaschig, mit Anz - Norm - |
|  | 86% | DIN 1024 T - Warmgewalzter rundkantiger T-Stahl, Form T - Norm - |
|  | 85% | DIN 649 - T-Nuten für Hammerschrauben - Norm - |
|  | 85% | KS F 4603 - SHK H-Beams - Norm - |
|  | 85% | DIN 5517-1 - Halbzeug für Schienenfahrzeuge, Profile, Stangen, Rohre un - Norm - |
|  | 85% | DIN 1017-2 - Warmgewalzter Flachstahl für besondere Verwendung, Blat - Norm - |
|  | 85% | QQ-A-200/5 (ALLOY 5086-H112) Tees - Aluminum Extruded Shapes - Norm - |
|  | 85% | QQ-A-200/7 (ALLOY 5456-H311) Tees - Aluminum Extruded Shapes - Norm - |



- **Graphical comparison of the geometric search**
 - The geometric 3D search enables you to compare basic parts with the search results of the 3D viewer
 - A customer can find similar parts by means of available CAD geometry, for example search for spare parts
 - Moreover the part can be searched at different manufacturers => who supplies what



| | | | |
|---|-----|--|-------------------------|
|  | 73% | AMF 140K - Narrow lock case, empty AMF - ANDREAS MAIER GMBH & CO KG | Compare |
|  | 72% | AMF 6351 - Parallel stop AMF - ANDREAS MAIER GMBH & CO KG | Compare |





▪ **New 3D viewer based on WebGL**

- The current 3D viewers have to be installed on the computer of the user
- In many companies this is not possible without administration rights
- WebGL is a new programming interface for webbrowser based on OpenGL
- WebGL offers a simple 3D viewer which can be operated in many browsers without installation



- **Lately there have been many stability and performance troubles on the new PARTcommunity**
- **This is due to the new and very complex architecture of PARTcommunity 2.0 and the PARTsolutions V9 chore**
- **To handle this problem the development of new functions has been postponed for now**
- **The improvement of stability and performance of the web platform has the highest priority in all departments**



- **Meetings on a regular basis with targeted measures between all departments**
- **Construction of a complex test environment to comprehend and mend existing problems**
- **Development of hardware infrastructure to reach a higher failsafe performance**



PARTcommunity
Stability and performance

eCATALOG SOLUTIONS | PART COMMUNITY

**DIE VERTIKALEN
MARKTPLÄTZE**

- **More clients are installed to generate previews and CAD data**
- New ProE clients
- Foru new NX clients
- More clients to calculate neutral formats





- **Live Support on the main portals to get closer to the customer**
- **Satisfaction surveys and improvement suggestions on a regular basis**

The screenshot displays a user interface with the following elements:

- Navigation Menu:**
 - Einloggen (Login)
 - Registrieren (Register)
 - Aktivieren (Activate)
 - Aktivierungsmail (Activation email)
 - Passwort? (Forgot password)
 - Feedback
- Product Selection:**
 - Auswahl (Selection)
 - Alle Kata (All catalogs)
- Navigation:**
 - Zurück (Back)
- Klassifikator (Classifier):**
 - Alle Katalo (All catalogs)
- Kataloge (Catalogs):**
 - Filter: [input field]
 - A
 - A4hydraulie
- Live Support:**
 - A chat window with a question mark icon and the text "LIVE SUPPORT ONLINE".



Thank you for your attention

QUESTIONS?

FEEDBACK?

Dipl.-Ing. (BA) Stefan Waldner

Phone.: +49 (0) 821 2 58 58 0 - 0

E-Mail: s.waldner@cadenas.de



Property, Copyright and Disclaimer

This document and all information it contains are the property of the CADENAS AG. Delivery of this document or display of its content does not create a right to the intellectual property. This document may not be copied or made available to third parties without the written consent of the CADENAS AG. This document and its content may only be used for the purposes it was intended for.

All statements made in this document are not an offer. They were made bona fide on the basis of specified assumptions. If the reason for the statements are not indicated, the CADENAS AG will gladly explain the statements to you.