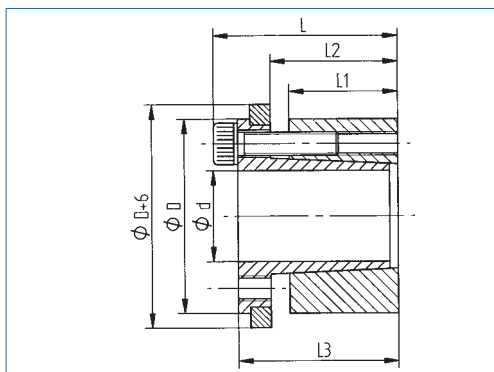


Locking Device

optional
nickel-plated version
optional full stainless
steel version



transmittable torque	medium
surface pressure on hub	low
self-centering	yes
axial movement of the hub during assembly	no
height D/d	high
overall length	medium

Order Code

KBS 71 - 30 x 55

Type Ød ØD

Recommended finishing tolerances of contact surfaces are: shaft h8 / hub H8

Inner / Outer Ø dxD	Torque T Nm	Dimensions				Surface pressure on		Screws			Mass kg
		L mm	L1 mm	L2 mm	L3 mm	Shaft Pw N/mm ²	Hub Pn N/mm ²	No.	ISO 4762	TA Nm	
19 x 47	300	45	26	31	39	228	98	4	M6x25	17	0.35
20 x 47	320	45	26	31	39	231	98	4	M6x25	17	0.34
22 x 47	370	45	26	31	39	211	99	4	M6x25	17	0.33
24 x 50	430	45	26	31	39	220	110	6	M6x25	17	0.40
25 x 50	480	45	26	31	39	226	113	6	M6x25	17	0.40
28 x 55	590	45	26	31	39	207	108	6	M6x25	17	0.50
30 x 55	650	45	26	31	39	226	121	6	M6x25	17	0.45
32 x 60	800	45	26	31	39	201	117	8	M6x25	17	0.45
35 x 60	860	45	26	31	39	206	121	8	M6x25	17	0.46
38 x 65	1030	45	26	31	39	201	124	8	M6x25	17	0.50
40 x 65	1130	45	26	31	39	239	146	8	M6x25	17	0.55
42 x 75	1930	55	30	36	47	221	138	6	M8x30	41	1.00
45 x 75	1950	55	30	36	47	221	138	6	M8x30	41	1.00
48 x 80	2180	55	30	36	47	226	145	6	M8x30	41	1.05
50 x 80	2210	55	30	36	47	226	146	6	M8x30	41	1.15
55 x 85	2730	55	30	36	47	226	146	8	M8x30	41	1.15
60 x 90	2910	55	30	36	47	201	134	8	M8x30	41	1.20
65 x 95	3570	55	30	36	47	211	145	8	M8x30	41	2.30
70 x 110	5830	67	40	46	57	226	145	8	M10x35	83	2.30
75 x 115	6330	72	40	46	62	221	151	8	M10x35	83	2.50
80 x 120	6840	72	40	46	62	202	142	8	M10x35	83	2.75
85 x 125	8160	72	40	46	62	221	161	10	M10x35	83	2.90
90 x 130	8670	72	40	46	62	201	146	10	M10x35	83	3.05
95 x 135	10200	72	40	46	62	191	141	10	M10x35	83	3.20
100 x 145	13600	89	46	52	77	201	151	8	M12x45	145	4.70
110 x 155	14870	89	46	52	77	201	182	8	M12x45	145	5.15
120 x 165	19460	89	46	52	77	221	162	10	M12x45	145	5.45
130 x 180	20820	89	46	52	77	202	146	12	M12x45	145	5.50
140 x 190	25410	98	51	59	84	192	141	8	M14x45	230	7.30
150 x 200	30720	98	51	59	84	202	152	10	M14x45	230	8.00
160 x 210	33150	98	51	59	84	202	152	10	M14x45	230	8.50
170 x 225	34000	98	51	59	84	161	121	12	M14x45	230	9.50
180 x 235	34250	98	51	59	84	157	122	12	M14x45	230	10.30