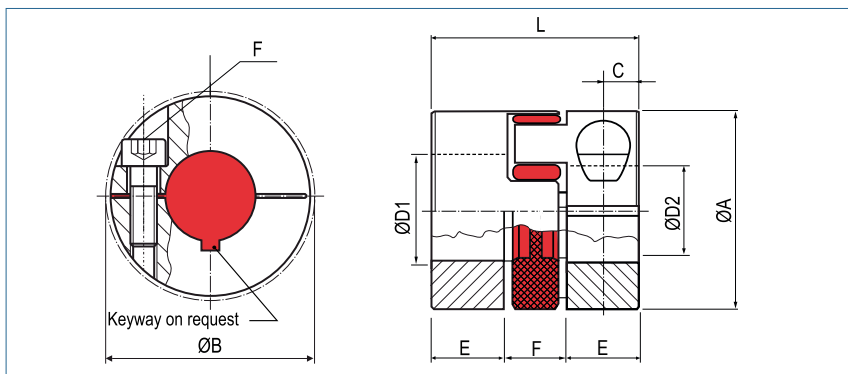


Servo Insert Coupling

with collet clamps, compact

optional full stainless steel version



Order Code

**KBE2C - 38 - 20 - 40 - 98Sh**

Type                      Size                      ØD1 (H7)                      ØD2 (H7)                      Shore-hardness

Size	Dimensions (mm)								Technical Data			
	Ø A Outer Ø	L Length	Ø D1-D2 Bore Sizes (H7) min-max	E	F	C	B	G Screw (ISO4762) TA (Nm)	max. speed rpm. (1/min)	Mass (per coupling) (g)	Moment of Inertia J (per coupling)	Torque (Nm)
7	14	18	3 - 7	5	8	2.5	16.6	M2 0.43	27000	6	0.00018	1.2
9	20	24	4 - 11	7	10	3.5	21.3	M2.5 0.85	19000	15	0.00085	3
14	30	32	4 - 16	9.5	13	5	30.5	M4 4.5	13000	45	0.0166	12.5
19	40	50	8 - 21	17	16	8.5	45.7	M6 15	10000	139	0.0311	17
24	55	58	10 - 32	20	18	10	56.4	M6 15	7000	271	0.119	60
28	65	62	14 - 37	21	20	11	72.6	M8 40	6000	429	0.254	160
38	80	86	15 - 48	31	24	15	83.3	M10 84	5000	888	0.828	325
42	95	94	20 - 50	34	26	17.5	97.6	M12 145	4000	1425	1.866	450
48	105	110	20 - 57	47.5	28	23	105	M12 145	3750	2019	3.221	525

Size	Ø Bore Size (mm)																									
	3	4	6	8	10	12	14	15	16	18	19	20	24	25	28	30	32	35	38	40	42	45	48	50	55	
7	1.2	1.3	1.5																							
9		2.3	2.5	2.8	3.0																					
14			14	14.7	15.7	16.7	17.7	18.3	18.8																	
19				42	44	47	49	50	51	54	55	56														
24					58	61	63	64	65	67	69	70	74	76	79	81	84									
28							105	107	109	112	114	116	123	124	130	133	137	142	147							
38								241	244	251	254	258	271	274	284	291	297	307	317	324	330	340	350			
42													452	457	471	481	491	505	519	529	539	553	568	577		
48													471	476	491	500	510	524	539	548	558	572	587	596	620	

**+** **Material**                      hub - aluminium  
    spider element - polyurethane  
**Hub**                                      bore tolerance: H7  
**Keyway**                                optional acc. DIN 6885  
**Shore-hardness**                    98 Sh A (red)  
 Further spider elements and technical data are available on page 42.