



STÜWE[®]

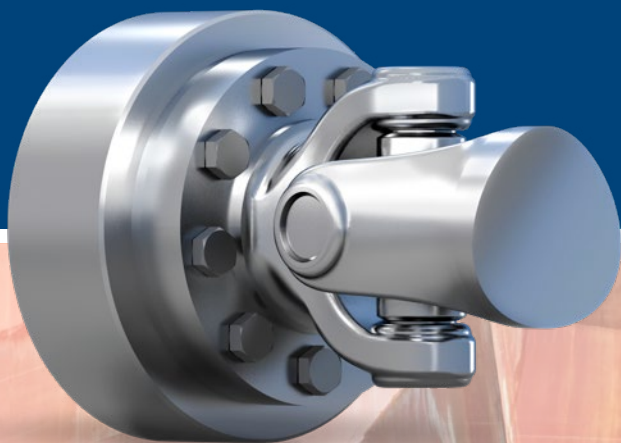
Catalogue Cardan Shaft Coupling TYPE GF



Certified in accordance with
DIN ISO 9001:2008

STÜWE[®]

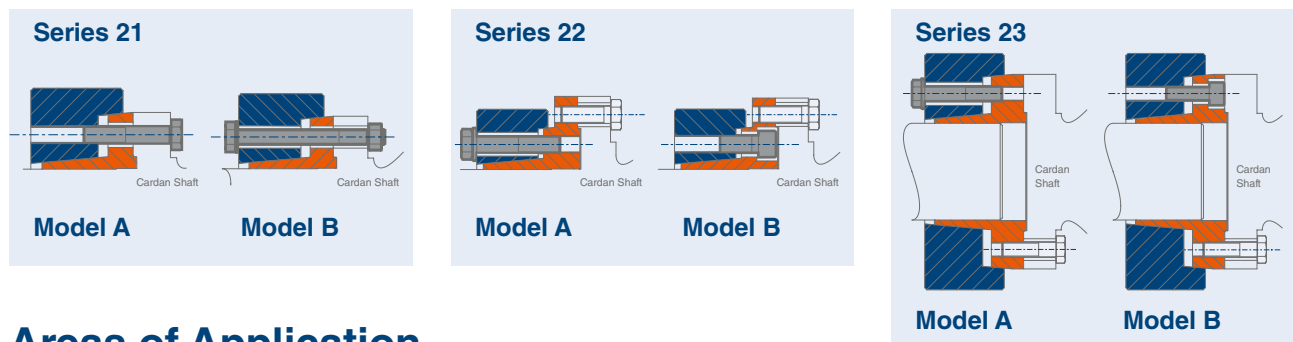
CARDAN SHAFT COUPLING TYPE GF



CARDAN SHAFT COUPLING TYPE GF – GENERAL INFORMATION

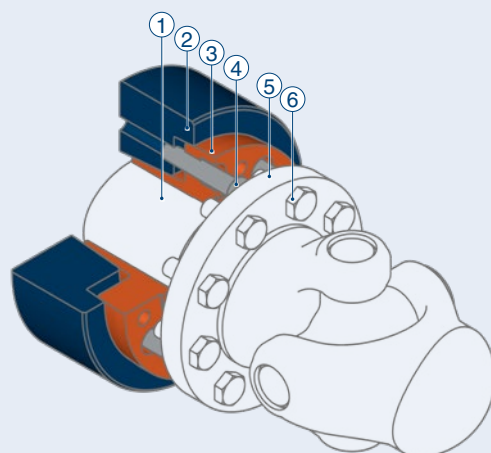
Description of Application

Cardan shaft flange Type GF is suited for the connection of standard cardan shafts. The following characteristics distinguish the flanges: Perfect power transmission, quick and easy installation, secure connection of cardan shafts with varying shaft ends.



Areas of Application

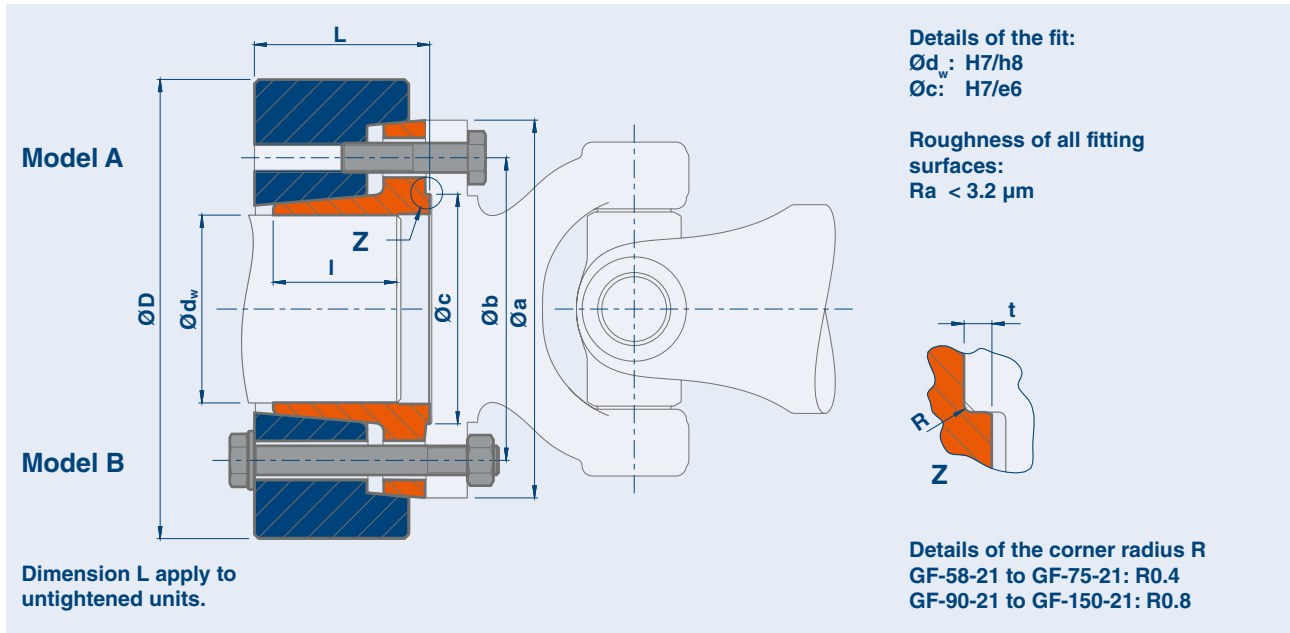
Series	Shaft diameter	Transmissible torque	Feature
21	20 - 85 mm	0.12 - 9.52 kNm	Flange bolts are also used for tensioning
22	65 - 220 mm	7 - 229 kNm	Primarily for the connection of small shaft diameters with large cardan shaft flanges
23	90 - 300 mm	13 - 507 kNm	Primarily for the connection of large shaft diameters



- ① Shaft
- ② Outer ring*
- ③ Inner ring*
- ④ Tightening bolts*
including washers where necessary*
- ⑤ Cardan Shaft
- ⑥ Flange bolts

*Included in the scope of delivery

STÜWE® Cardan Shaft Coupling Type GF – Series 21



Code

- M_t Maximum transmissible torque of a cardan shaft coupling where $P_{ax} = 0$
 P_{ax} Maximum transmissible axial load of cardan shaft coupling where $M_t = 0$
 M_a Required tightening torque of the tightening bolts (see also "Installation and Removal Instructions")

Cardan Shaft Coupling Type GF – Series 21

Type	d_w^* mm	M_t kNm	D mm	I mm	L mm	a mm	b mm	c mm	t mm	Flange bolts**	M_a Nm	kg
GF 58 - 21	20	0.12	60	18	22	58	47	30	1.3	4 x M5	9	0.5
	24	0.17										
	28	0.24										
GF 65 - 21	20	0.16	72	20	24	65	52	35	1.5	4 x M6	14.5	0.9
	24	0.22										
	30	0.33										
GF 75 - 21	25	0.29	80	22	27	75	62	42	1.8	6 x M6	14.5	1.2
	30	0.41										
	40	0.66										
GF 90 - 21	30	0.38	100	26	31	90	74.5	47	2	4 x M8	35	1.8
	40	0.59										
	45	0.80										
GF 100 - 21	40	0.80	115	26	32	100	84	57	2	6 x M8	35	2.4
	50	1.17										
	55	1.54										
GF 120 - 21	40	1.73	138	28	35	120	101.5	75	2	8 x M10	70	4.0
	60	3.03										
	70	4.24										
GF 150 - 21	50	4.00	170	39	47	150	130	90	2.5	8 x M12	120	7.0
	70	6.53										
	85	9.52										

Further sizes on request. Subject to technical change without notice.

*Diameter d_w can be chosen within given limitations. **Grade 12.9

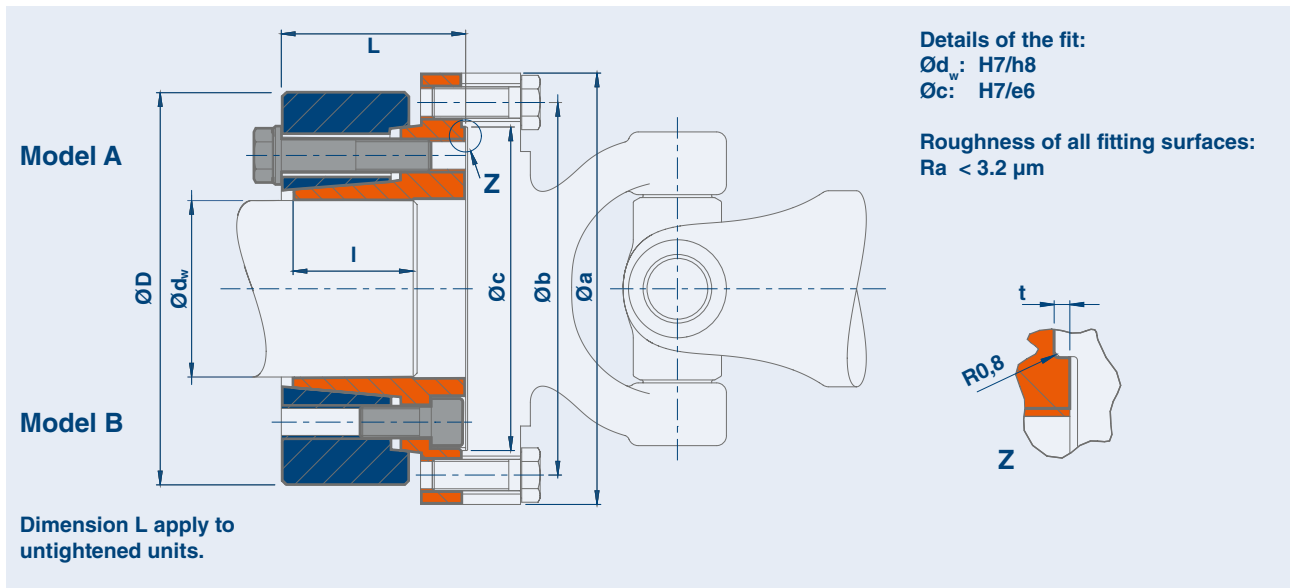
Connection dimensions may be adjusted on request.

Model B: From M16 and larger with washers: DIN EN ISO 7416

When ordering please state: (Type x $\varnothing d_w$ x model), e.g. B. GF 120 - 21 x 60 x A

Additional: flange holes, bolt size and bolt quantity if different from the catalogue values

STÜWE® Cardan Shaft Coupling Type GF – Series 22



Code

- M_t Maximum transmissible torque of a cardan shaft coupling where $P_{ax} = 0$
 P_{ax} Maximum transmissible axial load of cardan shaft coupling where $M_t = 0$
 M_a Required tightening torque of the tightening bolts (see also "Installation and Removal Instructions")

Cardan Shaft Coupling Type GF – Series 22

Type	d_w^* mm	M_t kNm	Tightening bolts size	M_a Nm	D mm	I mm	L mm	a mm	b mm	c mm	t mm	Flange bolts**	M_a Nm	kg
GF 180 - 22	65	7	M14	160	170	40	71	180	155.5	110	2	8 x M14	160	10.5
	75	10												
	85	15												
GF 225 - 22	80	12	M16	240	197	51	86	225	196	140	4	8 x M16	240	17.7
	90	17												
	100	24												
GF 250 - 22	90	18	M16	240	215	54	91	250	218	140	4	8 x M18	340	22.5
	100	25												
	110	33												
GF 285 - 22	90	20	M20	470	230	62	102	285	245	175	5	8 x M20	470	31.6
	110	34												
	120	43												
GF 315 - 22	110	37	M24	820	290	73	122	315	280	175	5	8 x M22	640	52.4
	130	58												
	140	71												
GF 350 - 22	130	52	M24	820	320	83	137	350	310	220	7	10 x M22	640	71.2
	160	91												
	180	124												
GF 390 - 22	160	95	M24	820	370	104	154	390	345	250	7	10 x M24	820	100.0
	180	131												
	200	172												
GF 435 - 22	180	136	M27	1210	405	115	181	435	385	280	8	10 x M27	1210	132.6
	200	179												
	220	229												

Further sizes on request. Subject to technical change without notice.

*Diameter d_w can be chosen within given limitations. **Grade 10.9

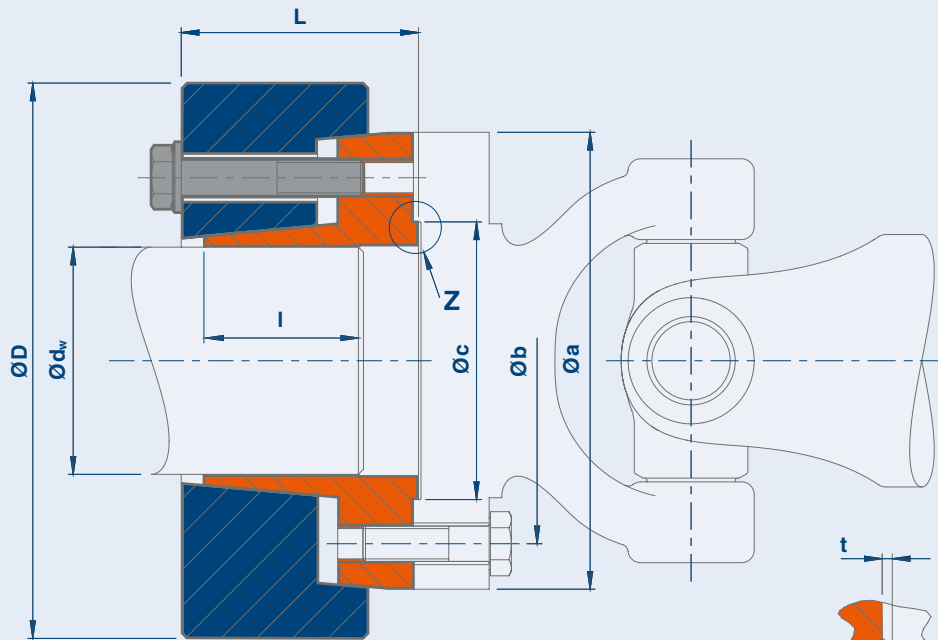
Connection dimensions may be adjusted on request.

Model A: From M16 and larger with washers: DIN EN ISO 7416

When ordering please state: (Type x $\varnothing d_w$ x model), e.g. B. GF 250 - 22 x 100 x A

Additional: flange holes, bolt size and bolt quantity if different from the catalogue values

STÜWE® Cardan Shaft Coupling Type GF – Series 23



Model A

Details of the fit:

Ød_w : H7/h8

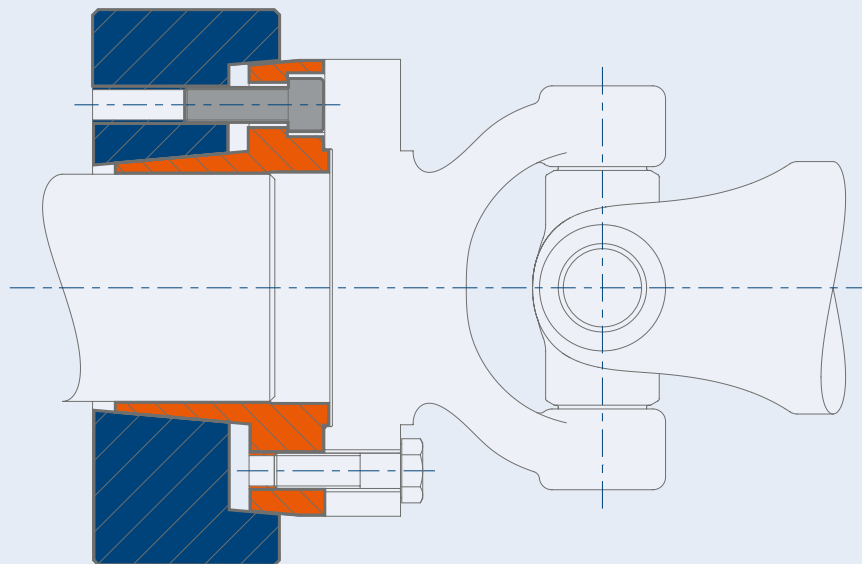
Øc : H7/e6

Roughness

of all fitting surfaces:

$R_a < 3.2 \mu\text{m}$

Dimension L apply to
untightened units.



Model B

Code

M_t Maximum transmissible torque of a cardan shaft coupling where $P_{ax} = 0$

P_{ax} Maximum transmissible axial load of cardan shaft coupling where $M_t = 0$

M_a Required tightening torque of the tightening bolts (see also "Installation and Removal Instructions")

Cardan Shaft Coupling Type GF – Series 23

Type	d _w * mm	M _t kNm	Tightening bolts size	M _a Nm	D mm	l mm	L mm	a mm	b mm	c mm	t mm	Flange bolts**	M _a Nm	kg
GF 180 - 23	90	13	M14	160	215	42	76	180	155.5	110	2.5	8 x M14	160	14.8
	110	23												
	120	29												
GF 225 - 23	110	26	M16	240	263	50	87	225	196	140	4	8 x M16	240	24.9
	130	41												
	150	60												
GF 250 - 23	120	35	M16	240	300	61	99	250	218	140	5	8 x M18	340	35.6
	150	65												
	170	90												
GF 285 - 23	130	56	M20	470	320	74	117	285	245	175	5	8 x M20	470	49.1
	160	94												
	180	127												
GF 315 - 23	150	81	M24	820	370	88	138	315	280	175	5	8 x M22	640	80.2
	180	131												
	200	171												
GF 350 - 23	190	147	M24	820	430	103	155	350	310	220	7	10 x M22	640	113.0
	220	213												
	240	265												
GF 390 - 23	210	213	M24	820	460	123	177	390	345	250	7	10 x M24	820	146.5
	240	298												
	260	363												
GF 435 - 23	230	262	M27	1210	520	128	192	435	385	280	7	10 x M27	1210	206.0
	260	356												
	300	507												

Further sizes on request. Subject to technical change without notice.

*Diameter d_w can be chosen within given limitations. **Grade 10.9

Connection dimensions may be adjusted on request.

Model A: From M16 and larger with washers: DIN EN ISO 7416

When ordering please state: (Type x Ød_w x model), e.g. B. GF 250 - 23 x 150 x A

Additional: flange holes, bolt size and bolt quantity if different from the catalogue values

STÜWE®

STÜWE® GmbH & Co. KG

Zum Ludwigstal 35 - 45527 Hattingen

Tel. +49 2324 394-0 - Fax +49 2324 394-30

www.stuewe.de - info@stuewe.de

For further information about our international sales agents we kindly refer you to www.stuewe.de/en/contact