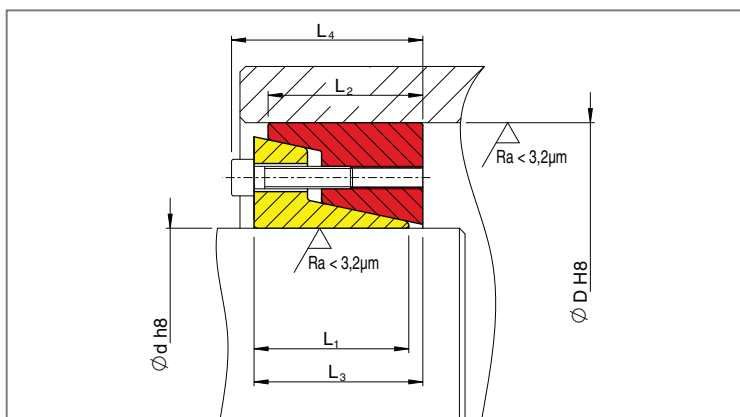


Locking Unit Type IS

Series IS1



Code:

- M_t maximum transmissible torque of a shrink disc with $P_{ax}=0$
- P_{ax} maximum transmissible axial load of a shrink disc with $M_t=0$
- M_a required tightening torque of the tightening bolts (see also "Mounting and Removal Instructions")
- P_w surface pressure on shaft
- P_n surface pressure on hub

Dimensions L_3 and L_4 apply to untightened units.

Type	d	x	D	M_t kNm	P_{ax} kN	L_1 mm	L_2 mm	L_3 mm	L_4 mm	B*	M_a Nm	P_w N/mm ²	P_n	kg
IS 1	20	x	47	0,3	34	20	17	23	29	5 x M6	17	242	121	0,2
IS 1	22	x	47	0,4	34	20	17	23	29	5 x M6	17	220	121	0,2
IS 1	24	x	50	0,4	34	20	17	23	29	5 x M6	17	202	114	0,2
IS 1	25	x	50	0,4	34	20	17	23	29	5 x M6	17	194	114	0,2
IS 1	28	x	55	0,6	43	20	17	23	29	6 x M6	17	208	124	0,3
IS 1	30	x	55	0,6	43	20	17	23	29	6 x M6	17	194	124	0,3
IS 1	35	x	60	0,9	51	20	17	23	29	7 x M6	17	194	133	0,3
IS 1	40	x	65	1,0	51	20	17	23	29	8 x M6	17	194	140	0,3
IS 1	45	x	75	1,8	80	24	20	28	36	6 x M8	41	198	142	0,5
IS 1	50	x	80	2,3	92	24	20	28	36	7 x M8	41	208	156	0,6
IS 1	55	x	85	2,9	105	24	20	28	36	8 x M8	41	216	167	0,6
IS 1	60	x	90	3,2	107	24	20	28	36	8 x M8	41	198	158	0,7
IS 1	65	x	95	3,8	117	24	20	28	36	9 x M8	41	205	169	0,7
IS 1	70	x	110	6,0	171	29	24	35	45	8 x M10	83	223	172	1,3
IS 1	75	x	115	6,4	171	29	24	35	45	8 x M10	83	208	164	1,4
IS 1	80	x	120	6,8	170	29	24	35	45	8 x M10	83	195	157	1,4
IS 1	85	x	125	8,1	191	29	24	35	45	9 x M10	83	207	170	1,5
IS 1	90	x	130	9,6	213	29	24	35	45	10 x M10	83	217	181	1,6
IS 1	95	x	135	10,1	213	29	24	35	45	10 x M10	83	206	175	1,6
IS 1	100	x	145	11,2	224	33	28	38	50	8 x M12	145	200	163	2,2
IS 1	110	x	155	13,9	252	33	28	39	51	9 x M12	145	205	171	2,4
IS 1	120	x	165	16,8	280	33	28	39	51	10 x M12	145	209	179	2,6
IS 1	130	x	180	23,1	355	38	33	43	55	12 x M12	145	201	167	3,6
IS 1	140	x	190	23,5	336	38	33	43	55	12 x M12	145	186	158	3,9
IS 1	150	x	200	30,4	406	38	33	43	55	14 x M12	145	203	175	4,1
IS 1	160	x	210	34,8	435	38	33	43	55	15 x M12	145	204	179	4,3
IS 1	170	x	225	41,5	488	43	38	49	63	12 x M14	230	186	159	5,7
IS 1	180	x	235	51,2	569	43	38	49	63	14 x M14	230	205	178	6,0
IS 1	190	x	250	61,1	643	51	46	58	72	16 x M14	230	187	158	8,3
IS 1	200	x	260	71,6	716	51	46	57	71	18 x M14	230	200	171	8,6
IS 1	220	x	285	99,5	905	55	50	62	78	16 x M16	355	207	175	11
IS 1	240	x	305	108,0	900	55	50	62	78	16 x M16	355	189	164	12
IS 1	260	x	325	129,5	996	55	50	62	78	18 x M16	355	197	173	13
IS 1	280	x	355	169,7	1212	65	60	73	91	18 x M18	485	188	161	19
IS 1	300	x	375	199,8	1332	65	60	73	91	20 x M18	485	195	169	20
IS 1	320	x	405	274,5	1716	77	72	86	106	18 x M20	690	198	167	29
IS 1	340	x	425	289,8	1705	77	72	85	105	20 x M20	690	187	160	31
IS 1	360	x	455	384,7	2137	89	84	100	122	20 x M22	930	190	159	42
IS 1	380	x	475	430,0	2263	89	84	99	121	21 x M22	930	189	160	44
IS 1	400	x	495	449,7	2249	89	84	99	121	21 x M22	930	180	154	46
IS 1	420	x	515	545,5	2597	89	84	100	122	24 x M22	930	196	169	49
IS 1	440	x	545	659,9	3000	101	96	113	137	24 x M24	1200	190	161	64
IS 1	460	x	565	689,9	3000	101	96	113	137	24 x M24	1200	182	156	67
IS 1	480	x	585	719,9	3000	101	96	113	137	24 x M24	1200	174	150	69
IS 1	500	x	605	880,4	3522	101	96	113	137	28 x M24	1200	195	170	72

Further sizes on request. Technical changes to be reserved without notice.
*Tightening bolts DIN EN ISO 4762: Grade 12.9 When ordering please state: e.g. IS 1 x 200 x 260 (Type x Ø d x Ø D)