

## Alfa Laval Access Tank Cover - Circular Cover Type C and CG

### Tank Covers

#### Introduction

The Alfa Laval Access Tank Cover - Circular Covers Type C are a range of stainless steel manway cover that provides a secure fit for openings of tanks or containers. It offers a quick, easy and convenient means of entry and egress to tank interiors. It also provides a closeable means of access to the interior of the vessel, situated above or below the liquid level for tank top installation.

#### Application

The Access Tank Cover - Circular Cover Type C is designed for use on static tanks, process tanks, palletized road tankers and standard road tankers in a wide range of applications across the dairy, food, beverage and many other industries.

#### Benefits

- Versatility to cover all tank needs
- Swing flexibility due to optional hinge, for opening inwards, outwards or sideways

#### Standard design

The construction of Alfa Laval Access Tank Cover - Circular Cover Type consists of an AISI 304 or 316L stainless steel frame and cover, plastic or stainless steel handle and seal (EPDM, NBR, FPM, Silicone).

To enable visual inspection and/or physical entry into the tank for stainless steel covers, the tank cover swings inwards, outwards or sideways, depending upon the model. Tank covers can be positioned above and below liquid level to meet different application requirements. The CG type glass lid cover functions as an inspection or access port to the tank through a glass lid. It makes it possible to inspect the interior of the tank or the product without opening the tank.

Electro-polished and acid pickled surface finishes (<math><Ra 0.8 \mu m</math>) on the wetted part meet hygienic process quality requirements. 3.1 Material Certification in accordance with EN 10204 is supplied.

Optional stainless steel handle and relief valve are available for certain models.

#### Working principle

Open the cover by loosening the handle. This range includes covers with various openings.

#### Certificates

3.1 (cover and frame are supplied with material certificate 3.1 according to EN10204)



## TECHNICAL DATA

**Options:**

SS handle on request.

Relief valve

## PHYSICAL DATA

**Materials**

Steel parts: 1.4301 (304) or 1.4404 (316L)

Plastic parts: Nylon

Seal: EPDM

Glass part: Sodalime tempered glass (max. temperature 120 °C)

**Cover finish:**

Electro polished

Internal: Ra 0.8 µm

**Frame:**

Acid Pickled

Internal: Ra 0.8µm - 3µm

**Temperature:**

EPDM: -15° / 90° C

NBR: -30° / 110° C

SILICONE (Q): -50° / 200° C

FPM: -10° / 250° C

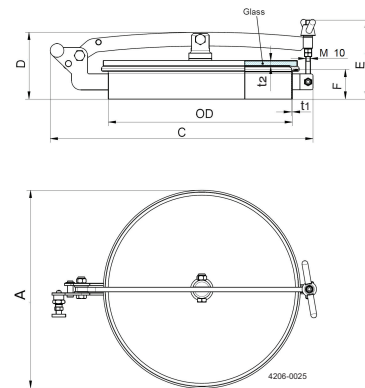
| Cover shape | Type             | Function                       | Pressure Range* (bar) | Relief Valve (option) |
|-------------|------------------|--------------------------------|-----------------------|-----------------------|
| Circular    | C-202            | Static tank                    | 0.4                   | x                     |
| Circular    | C-202A           | Static tank                    | 0.4                   |                       |
| Circular    | C-202B           | Static tank                    | 0.4                   |                       |
| Circular    | C-306            | Static tank                    | 0.1                   | x                     |
| Circular    | C-404            | Static tank                    | 0                     | x                     |
| Circular    | C-404SB          | Static tank                    | 0                     | x                     |
| Circular    | C-404ASB         | Static tank                    | 0                     | x                     |
| Circular    | C-404BSB         | Static tank                    | 0                     | x                     |
| Circular    | C-404CC          | Palletized road tanker         | 1.0                   |                       |
| Circular    | C-404H6          | Static tank                    | 1.2                   |                       |
| Circular    | C-404AH4         | Static tank                    | 0.2                   | x                     |
| Circular    | C-418            | Static tank                    | 0.6                   |                       |
| Circular    | C-454            | Static tank and road tanker    | 0                     | x                     |
| Circular    | C-454A           | Road tanker                    | 0.1                   | x                     |
| Circular    | C-454SB          | Static tank                    | 0                     | x                     |
| Circular    | C-518MH          | Road tanker                    | 0                     | x                     |
| Circular    | C-518SBAR        | Static tank                    | 0.1                   | x                     |
| Circular    | C-518 / C-518SB  | Static tank                    | 0                     | x                     |
| Circular    | C-518A           | Road tanker                    | 0.1                   | x                     |
| Circular    | C-620A / C-620SB | Static tank                    | 0                     | x                     |
| Circular    | CG-404           | Static tank with glass opening | 0                     |                       |
| Circular    | CG-454           | Static tank with glass opening | 0                     |                       |
| Circular    | CG-518           | Static tank with glass opening | 0                     |                       |

\* Calculated max. pressure (bar)

Above liquid level  
Product code: 5518

Surface finish: Cover: Electropolished. Wetted surfaces: Ra 0.8µm  
Frame: Acid pickled. Wetted surfaces: Ra 0.8µm  
(excluding welding zone)

| Item No.             | PPL<br>EUR | OD  | Handle | Dimension (mm) |     |     |     |     |                | P max<br>bar* |
|----------------------|------------|-----|--------|----------------|-----|-----|-----|-----|----------------|---------------|
|                      |            |     |        | A              | C   | D   | E   | F   | t <sub>1</sub> |               |
| <b>1.4301 (304)</b>  |            |     |        |                |     |     |     |     |                |               |
| 9614450824           |            | 404 | SS V   | 434            | 577 | 146 | 173 | 65  | 2              | 0             |
| 9614450825           |            | 404 | SS V   | 434            | 577 | 181 | 208 | 100 | 2              | 0             |
| 9614450826           |            | 404 | SS V   | 434            | 577 | 231 | 258 | 150 | 2              | 0             |
| 9614450827           |            | 404 | SS V   | 434            | 577 | 281 | 308 | 200 | 2              | 0             |
| <b>1.4404 (316L)</b> |            |     |        |                |     |     |     |     |                |               |
| 9614450828           |            | 404 | SS V   | 434            | 577 | 146 | 173 | 65  | 2              | 0             |
| 9614450829           |            | 404 | SS V   | 434            | 577 | 181 | 208 | 100 | 2              | 0             |
| 9614450830           |            | 404 | SS V   | 434            | 577 | 231 | 258 | 150 | 2              | 0             |
| 9614450831           |            | 404 | SS V   | 434            | 577 | 281 | 308 | 200 | 2              | 0             |
| <b>1.4301 (304)</b>  |            |     |        |                |     |     |     |     |                |               |
| 9614450832           |            | 454 | SS V   | 499            | 643 | 186 | 230 | 100 | 3              | 0             |
| 9614450833           |            | 454 | SS V   | 499            | 643 | 236 | 278 | 150 | 3              | 0             |
| 9614450834           |            | 454 | SS V   | 499            | 643 | 286 | 330 | 200 | 3              | 0             |
| <b>1.4404 (316L)</b> |            |     |        |                |     |     |     |     |                |               |
| 9614450835           |            | 454 | SS V   | 499            | 643 | 186 | 230 | 100 | 3              | 0             |
| 9614450836           |            | 454 | SS V   | 499            | 643 | 236 | 278 | 150 | 3              | 0             |
| 9614450837           |            | 454 | SS V   | 499            | 643 | 286 | 330 | 200 | 3              | 0             |
| <b>1.4301 (304)</b>  |            |     |        |                |     |     |     |     |                |               |
| 9614450838           |            | 518 | SS V   | 553            | 707 | 184 | 235 | 100 | 3              | 0             |
| 9614450839           |            | 518 | SS V   | 553            | 707 | 234 | 285 | 150 | 3              | 0             |
| 9614450840           |            | 518 | SS V   | 553            | 707 | 284 | 335 | 200 | 3              | 0             |
| <b>1.4404 (316L)</b> |            |     |        |                |     |     |     |     |                |               |
| 9614450841           |            | 518 | SS V   | 553            | 707 | 184 | 235 | 100 | 3              | 0             |
| 9614450842           |            | 518 | SS V   | 553            | 707 | 234 | 285 | 150 | 3              | 0             |
| 9614450843           |            | 518 | SS V   | 553            | 707 | 284 | 335 | 200 | 3              | 0             |



1.9

NOTE! Seal in NBR, FPM and silicone available on request.

\* Calculated max. pressure (bar).