



## Alfa Laval Access Tank Cover - Circular Cover Type LKDC

### Tank Covers

#### Introduction

The Alfa Laval Access Tank Cover - Circular Cover Type LKDC is a high-quality opening that provides quick, easy and convenient entry and egress to tank interiors. Available with a variety of surface finishes and seal materials, the Circular Cover Type LKDC securely fit the openings of low- or non-pressurized tanks.

#### Application

The Access Tank Cover - Circular Cover Type LKDC stainless steel manway cover is used on the top of tanks or containers across the dairy, food, beverage, and biopharm industries, where a hygienic closeable mean of access to the interior of the tank is required.

#### Benefits

- Covering all tank needs
- Hygienic design
- Available as a 3-A approved version
- Can be supplied with safety grid

#### Standard design

To enable visual inspection and/or physical entry into the tank, the tank cover swings outwards. The LKDC Tank covers needs to be positioned above the liquid level.

The Alfa Laval Access Tank Cover - Circular Cover Type LKDC is available in AISI 304 or AISI 316L stainless steel with EPDM, NBR, FPM or Q (silicone) seal materials. Surface finishes include electropolished, brushed and acid pickled finishes and vary from Ra 0.4 to Ra 0.8 to meet the exceptionally high quality requirements of hygienic processes. In addition, a 3.1 Material Certification in accordance with EN 10204 is supplied. For more information, please refer to documentation and the Tank cover selection guide.

#### Working principle

The Alfa Laval Access Tank Cover - Circular Cover Type LKDC is supplied with a unique replaceable, self-sealing double lip seal to prevent fluids from spraying out, for instance, during CIP cleaning and similar processes or during travel on mobile tanks.

The seals are produced in compliance with 3-A recommendations. Open the cover by loosening the handle.

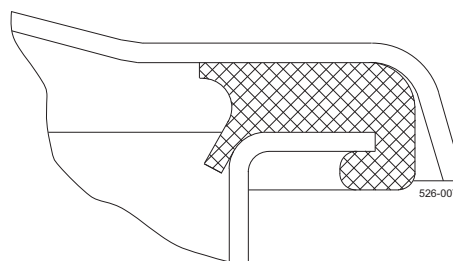


Fig. 2. Double lip seal

#### Certificates

3.1 certificate

## TECHNICAL DATA

### Working pressure:

LKDC-306, 404, 454, 518, 620

No pressure

LKDC-202

0.4 bar

## PHYSICAL DATA

### Materials

Lid and frame: 1.4301 (304) or 1.4404 (316L)

Plastic parts: Nylon

Seals: EPDM or NBR or FPM or Q (silicone)

### Finish

Surface finish: Acid Pickled

Product wetted surfaces: Ra 0.8 $\mu$ m (Excluding welding zone)

Other frame and lid surfaces: Ra 0.8 $\mu$ m (Excluding welding zone)

### 3A finish

3A surface finish: Acid pickled

Product wetted surfaces: Ra 0.4 $\mu$ m

Other frame and lid surfaces: Ra 0.4 $\mu$ m (Excluding external welding zone)

### Temperature

Min. temperature: - 20°C

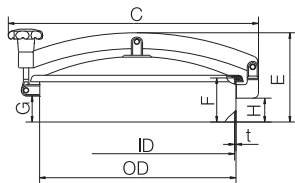
Max. temperature (NBR): -30° / 110° C

Max. temperature (Q) gasket: -50° / 200° C

Max. temperature (EPDM, not for oil and fat): -15° / 90° C

Max. temperature (FPM flourinated rubber): -10° / 250° C

## Dimensions



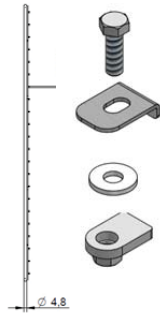
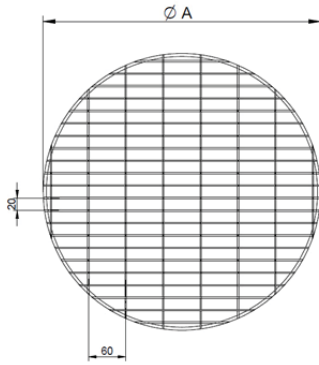
(mm)

Size/OD	202	306	404	454	454	518	518	620	620
ID	198	302	400	448	448	512	512	614	614
F	85	100	100	100	200	100	200	100	200
t	2	2	2	3	3	3	3	3	3
C	354	457	555	609	609	675	675	778	778
G	50	64	64	65	165	53	153	62	162
H	44	57	59	60	160	58	158	59	159
E	156	146	178	201	301	197	297	203	303
Cover thickness	1.5	1.5	2	2	2	3	3	3	3
Weight (kg)	3.4	6.3	8.3	12.2	15.8	14.4	17.7	18.8	24.3

**Option**

Wire safety grid

For installation in non-3A approved LKDC manhole covers.



4 pcs screw, M8x25

4 pcs bracket

4 pcs washer

4 pcs support

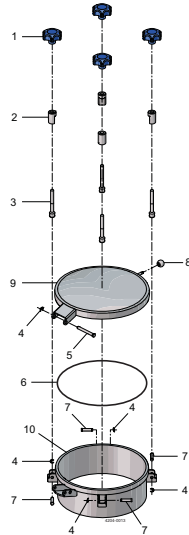
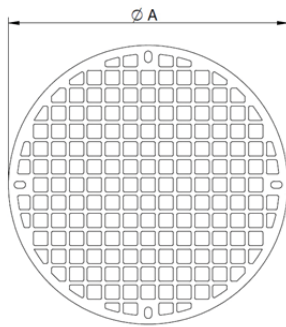
**Dimensions:**

LKDC	ØA	
	mm	inch
202	190	7.48
306	298	11.73
404	390	15.35
454	445	17.52
518	498	19.61
620	598	23.54

Material: 316L

Laser-cut safety grid

For installation in non-3A approved LKDC manhole covers.



4 pcs screw, M8x25

4 pcs washer

4 pcs support

**Dimensions:**

LKDC	ØA	
	mm	inch
202	190	7.48
306	296	11.65
404	390	14.96
454	436	17.17
518	500	19.68
620	605	23.82

Material: 316L

Alfa Laval reserves the right to change specifications without prior notification.

---

**How to contact Alfa Laval**

Contact details for all countries  
are continually updated on our website.  
Please visit [www.alfalaval.com](http://www.alfalaval.com) to  
access the information direct.