

No. 6951

Swing Clamp Arm, long



Order no.	Article no.	A	B	C	D	dia. E	dia. F	G	H	J	K	L	N	R	Weight [g]
69229	6951-02-82	82,5	26,0	10,5	8,1	11,13 +0,05	7,0	15,2	12,5	7,0	9,5	M6x1,00	22	9,5	73
69245	6951-05-136	136,5	33,0	14,5	12,5	15,89 +0,05	10,5	22,0	18,0	8,0	12,7	M8x1,25	25	12,5	240
69260	6951-11-162	162,0	50,5	19,0	15,2	22,24 +0,05	13,5	31,1	25,5	9,5	16,6	M10x1,25	25	17,5	553

Design:

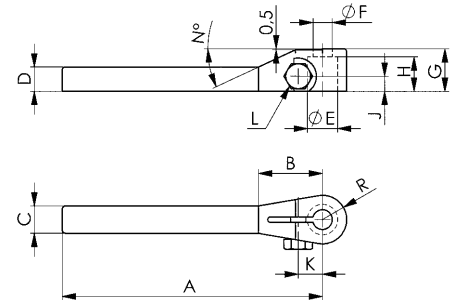
Tempered and blued steel.

Application:

For all swing clamps
 order no. 69229 for sizes 6951xx-02-xx, 6952EP-02-xx
 order no. 69245 for sizes 6951xx-05-xx, 6952CP-06-xx, 6941KP-03-xx
 order no. 69260 for sizes 6951xx-11-xx, 6941KP-05-xx
 Clamp arm can be shortened for your application.

Note:

Clamping pressure, flow volume and clamping arm weight must be observed. Special versions available on request.



No. 6951

Swing Clamp Arm, double ended



Order no.	Article no.	2A	B	C	D	dia. E	dia. F	G	H	J	K	L	N	R	Weight [g]
69252	6951-02-140	140	26,0	10,5	8,1	11,13 +0,05	7,0	15,2	12,5	7,0	9,5	M6x1,00	22	9,5	118
69278	6951-05-222	222	33,0	14,5	12,1	15,89 +0,05	10,5	21,6	18,0	8,0	12,7	M8x1,25	25	12,5	354
69294	6951-11-272	272	50,5	19,0	15,2	22,24 +0,05	13,5	31,1	25,5	9,5	16,6	M10x1,25	25	17,5	801

Design:

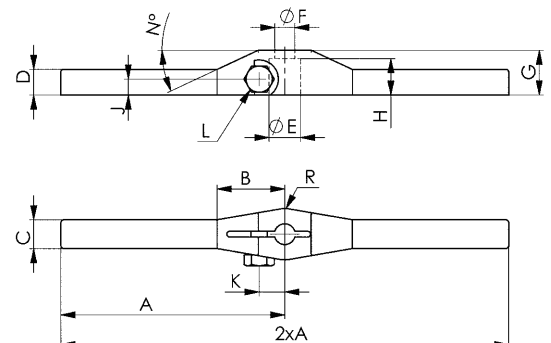
Tempered and blued steel.

Application:

For all swing clamps
 order no. 69252 for sizes 6951xx-02-xx, 6952EP-02-xx
 order no. 69278 for sizes 6951xx-05-xx, 6952CP-06-xx, 6941KP-03-xx
 order no. 69294 for sizes 6951xx-11-xx, 6941KP-05-xx
 Clamp arm can be shortened for your application.

Note:

Clamping pressure, flow volume and clamping arm weight must be observed. It is also essential that clamping or support heights in either side are identical. Special versions available on request.



Subject to technical alterations.