

No. 6951

Swing Clamp Arm, standard



| Order no. | Article no. | A  | C    | D    | dia. E      | dia. F | G    | H    | J    | K    | L        | N     | P        | R    | Weight [g] |
|-----------|-------------|----|------|------|-------------|--------|------|------|------|------|----------|-------|----------|------|------------|
| 68973     | 6951-02-27  | 27 | 4,5  | 6,5  | 11,13 +0,05 | 7,0    | 15,0 | 12,5 | 7,0  | 9,5  | M6x1,00  | 22°   | M6x1,00  | 9,5  | 44         |
| 559217    | 6951-04-47  | 47 | 8,0  | 9,0  | 18,00 ±0,02 | 10,5   | 27,0 | 22,0 | 8,0  | 14,7 | M6x1,25  | 23,5° | M8x1,25  | 14,5 | 212        |
| 68999     | 6951-05-38  | 38 | 6,5  | 7,5  | 15,89 +0,05 | 10,5   | 21,0 | 18,0 | 8,0  | 12,7 | M8x1,25  | 25°   | M8x1,25  | 12,5 | 109        |
| 556974    | 6951-08-47  | 47 | 8,0  | 9,0  | 20,00 ±0,02 | 10,5   | 27,0 | 22,0 | 8,0  | 14,7 | M6x1,25  | 23,5° | M8x1,25  | 14,5 | 212        |
| 69070     | 6951-11-51  | 51 | 9,5  | 12,0 | 22,24 +0,05 | 13,5   | 32,0 | 25,5 | 9,5  | 16,6 | M10x1,25 | 25°   | M10x1,50 | 17,5 | 299        |
| 556975    | 6951-15-50  | 50 | 11,0 | 17,0 | 25,00 ±0,02 | 12,5   | 38,5 | 30,5 | 11,5 | 23,2 | M12x1,75 | 23,5° | M10x1,50 | 17,5 | 411        |

**Design:**

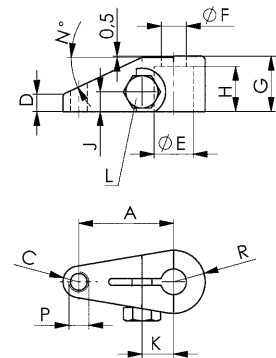
Tempered and blued steel.

**Application:**

For all swing clamps  
 order no. 68973 for sizes 6951xx-02-xx, 6952EP-02-xx  
 order no. 559217 for sizes 6941KP-04-xx  
 order no. 68999 for sizes 6951xx-05-xx, 6952CP-06-xx, 6941KP-03-xx  
 order no. 556974 for sizes 6952CP-08-xx  
 order no. 69070 for sizes 6951xx-11-xx, 6941KP-05-xx  
 order no. 556975 for sizes 6952CP-15-xx, 6941KP-09-xx

**Note:**

Clamping pressure, flow volume and clamping arm weight must be observed. Special versions available on request.



No. 6951

Swing Clamp Arm, upreach



| Order no. | Article no. | A    | B    | C   | D   | dia. E      | dia. F | G    | H    | J   | K    | L        | M    | N  | P  | Weight [g] |
|-----------|-------------|------|------|-----|-----|-------------|--------|------|------|-----|------|----------|------|----|----|------------|
| 69112     | 6951-02-32  | 32,0 | 19,0 | 5,0 | 5,0 | 11,13 +0,05 | 7,0    | 25,5 | 12,5 | 6,5 | 9,5  | M6x1,00  | 12,5 | 16 | 16 | 87         |
| 69138     | 6951-05-44  | 44,5 | 25,5 | 6,5 | 6,5 | 15,89 +0,05 | 10,5   | 35,0 | 18,0 | 8,0 | 12,5 | M8x1,25  | 19,0 | 22 | 19 | 209        |
| 69153     | 6951-11-63  | 63,5 | 35,0 | 9,5 | 9,5 | 22,24 +0,05 | 13,5   | 51,0 | 25,5 | 9,5 | 16,5 | M10x1,25 | 26,5 | 32 | 26 | 590        |

**Design:**

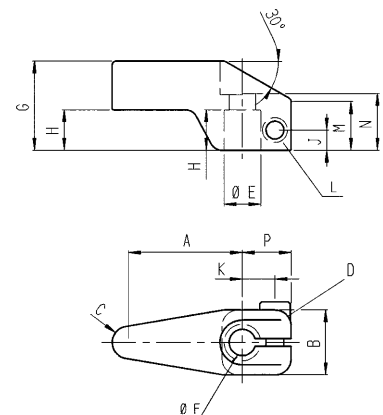
Tempered and blued steel.

**Application:**

For all swing clamps  
 order no. 69112 for sizes 6951xx-02-xx, 6952EP-02-xx  
 order no. 69138 for sizes 6951xx-05-xx, 6952CP-06-xx, 6941KP-03-xx  
 order no. 69153 for sizes 6951xx-11-xx, 6941KP-05-xx

**Note:**

Clamping pressure, flow volume and clamping arm weight must be observed. Special versions available on request.



Subject to technical alterations.