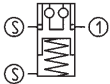


No. 6104L

Clamping module with sensor query for opening and interlock

Pneumatic opening.
 Opening operating pressure: min. 5 bar - max. 12 bar.
 Cover and piston hardened.
 Flange housing: aluminium.
 Repetition accuracy < 0.005 mm.



Order no.	Size	Pull-in/locking force up to	Holding force*	Weight
		[kN]	[kN]	
558051	K5.3	1,5	13	1,2
552967	K10.3	10	25	2,6
552968	K20.3	17	55	5,0

Application:

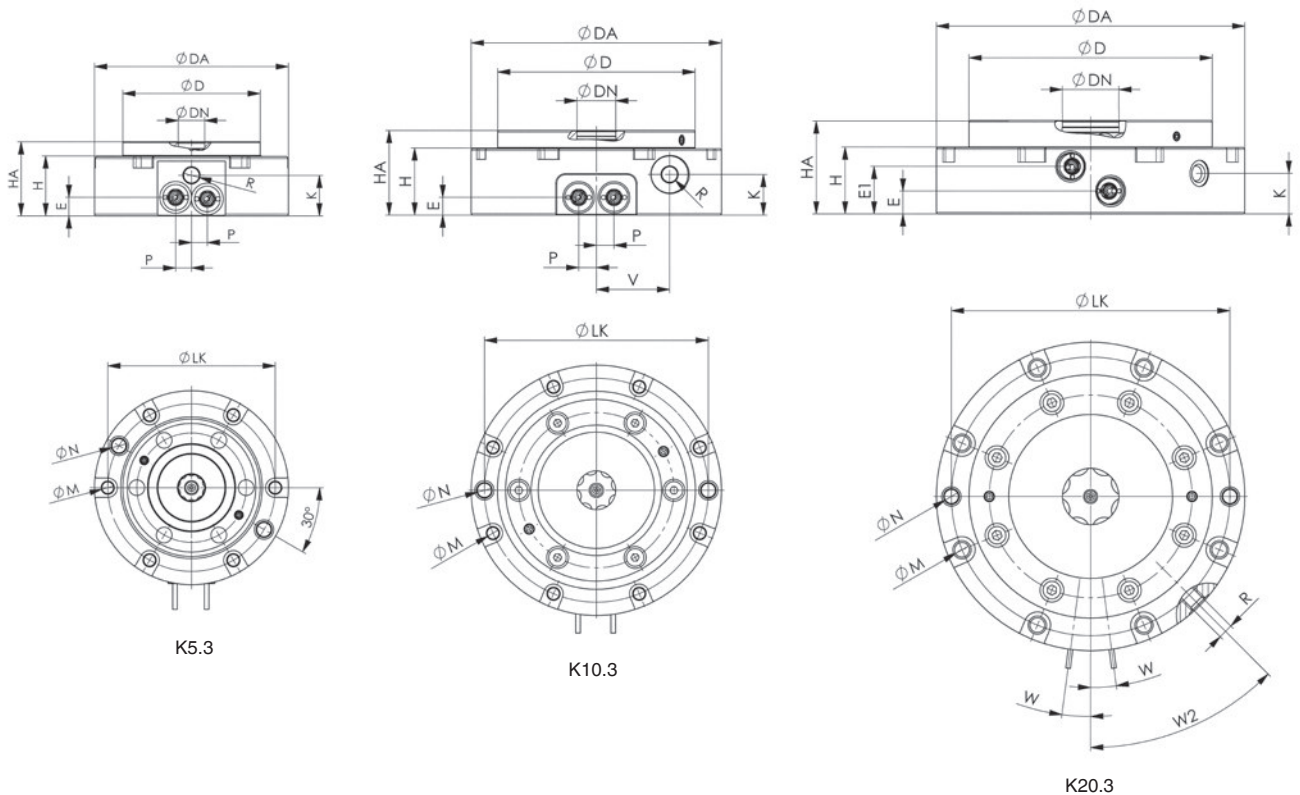
Zero-point clamping system for automation solutions for set-up-time-optimised clamping during cutting and non-cutting machining.

Note:

The clamping module with sensor query has two inductive sensors (connection type: plug S8, cable length 150 mm) for the status check (opened / locked). This is opened pneumatically (1) and locked mechanically through spring force. Subsequent uncoupling of the pressure line is possible at any time (module is clamped at normal pressure).

The clamping module has one connection:
 1 = pneum. opening

* Please observe the installation instructions.



Dimensions:

Order no.	Size	dia. D	dia. DA	dia. DN	E	E1	H	HA	K	dia. LK	dia. M	dia. N H7	P	R	V	W	W2
558051	K5.3	78	110	15	10,5	-	34	42	23	95	6,6	8	9	G1/8	-	-	-
552967	K10.3	112	142	22	10	-	38	48	23	127	6,6	8	10	G1/8	41,5	-	-
552968	K20.3	138	175	32	13	27	38	53	23	158	8,4	8	-	G1/8	-	7,5°	45°



Subject to technical alterations.