

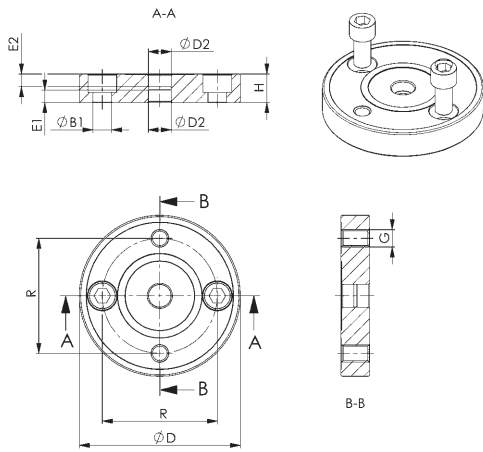
No. 6210Z

Intermediate element

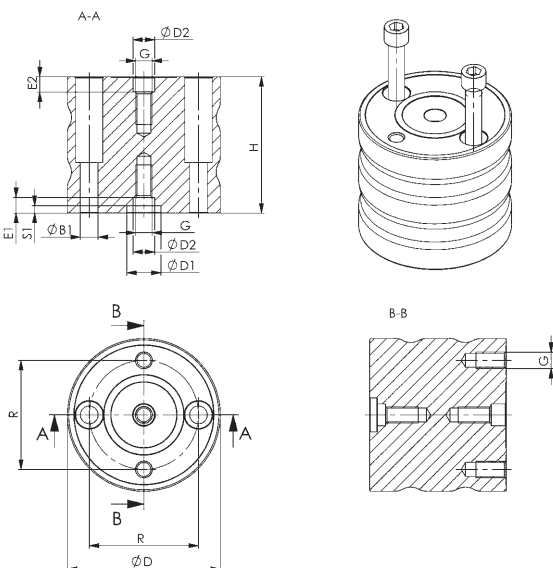
Tempered steel, plasma-nitrided and burnished.



Height 20 and 30 mm



From height 40 mm



Order no.	Size	H ±0.01	Weight [g]
534487	K10	20	667
559683	K10	28	1000
534503	K10	30	1012
534529	K10	40	1353
534545	K10	50	1698
534560	K10	60	2043
534586	K10	80	2731
534602	K10	100	3443
534628	K20	20	1394
534644	K20	30	2092
534669	K20	40	2800
534685	K20	50	3508
534701	K20	60	4225
534727	K20	80	5661
534743	K20	100	7012

Application:

The intermediate elements are used as height adapters for workpieces and clamping fixtures, and are mounted to the main elements. Workpieces are clamped by means of assembly elements. This clamping system can be used to move workpieces to the required machining height in the machine for 5-sided machining, or for the safe and quick clamping of workpieces with ledges and different clamping heights on the machine table.

Advantage:

Simple, quick and flexible clamping of complex workpiece contours on the machine table. Especially suitable for levelling workpieces or clamping fixtures at the necessary machine heights in the machine tool and for the reliable clamping of same.

Note:

For the adaptation to zero point clamping modules, with the exception of the installation heights H20 and 30, the mounting bore for the pull-stud, corresponding to size K10 and K20, is already made in the intermediate element.

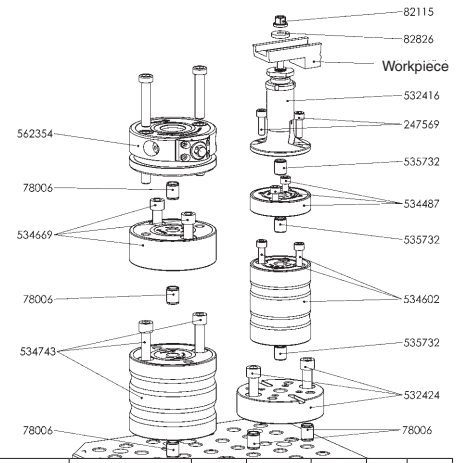
If two or more spacer elements are used, they can be axially aligned and then bolted using centring sleeves. The fastening bolts are supplied as standard.

When fastening to AMF grid plates, pay attention to bolt lengths!

Order numbers for the centring sleeves:

- size K10: order no. 535732

- size K20: order no. 78006



Dimensions:

Order no.	Size	dia. B1	dia. D	dia. D1 0/+0,01	dia. D2 F7	Screw DIN84 or ISO4762	E1	E2	G	R	S1
534487	K10	9	78	-	15	M8x30	5,0	13,0	M8	50	-
559683	K10	9	78	-	15	M8x30	5,0	13,0	M8	50	-
534503	K10	9	78	-	15	M8x30	5,0	13,0	M8	50	-
534529	K10	9	78	15	15	M8x30	5,0	13,0	M8	50	3,5
534545	K10	9	78	15	15	M8x50	5,0	13,0	M8	50	3,5
534560	K10	9	78	15	15	M8x50	5,0	13,0	M8	50	3,5
534586	K10	9	78	15	15	M8x50	5,0	13,0	M8	50	3,5
534602	K10	9	78	15	15	M8x50	5,0	13,0	M8	50	3,5
534628	K20	13	112	-	16	M12x25	9,0	9,0	M12	80	-
534644	K20	13	112	-	16	M12x25	11,5	11,25	M12	80	-
534669	K20	13	112	25	16	M12x25	11,5	11,25	M12	80	5,5
534685	K20	13	112	25	16	M12x55	11,5	11,25	M12	80	5,5
534701	K20	13	112	25	16	M12x55	11,5	11,25	M12	80	5,5
534727	K20	13	112	25	16	M12x55	11,5	11,25	M12	80	5,5
534743	K20	13	112	25	16	M12x55	11,5	11,25	M12	80	5,5

