

CONDUIT TYPE FCE-LFHB



Flexible, extra robust, halogen free and low smoke.

A halogen-free, "low smoke" conduit for use in public areas. The features of the FCE-LFHB cover are necessary in the field of environment and safety, as the European guidelines state that materials used in certain areas must meet special requirements regarding toxic gas emission and smoke density in case of fire. Because of the BS approvals is type FCE-LFHB optimal for use in the subway-, train- and bus-building industry, in closed areas, airports, tunnels, (subway) stations and other infra-structure projects, but also in hospitals, elevators, escalators and other public areas. Type FCE-LFHB is delivered on convenient reels (card board reels with stamped metal core).

Material & Construction:

Construction: Galvanised steel core, square-locked with thin wall convoluted thermo-plastic (Polyolefin) cover and stainless steel AISI-304 braiding.

Cover specifications: Polyolefin, lead-free according to RoHS, sunlight and UV resistant, suitable for outside installation.

Approvals:

- EN 45545-2 (2013): R22 (interior equipment) class HL1, HL2 and HL3. R23 (exterior equipment) class HL1, HL2 and HL3. (CITnlp = 0,09, Ds max = 121 and LOI = 41,5).
- BS 6853 (1999) Tabel 7 (Interior) Category 1b and II vehicle. Tabel 8 (Exterior) Category 1a, 1b and II vehicle



Square locked



Flame property tests:

- London Underground LUL 1-085 (2011)

Tabel 4 : limited and dispersed usage

Temperature: -25 °C to +80 °C, intermittent up to +100 °C.

Colour: Metal.

Classification according to NEN-EN-IEC 61386:

Compression resistance: Class 4, Heavy (1250 N).

Impact resistance: Class 4, Heavy (6 J).

Tensile strength: Class 4, Heavy (1000 N).

Protection class: IP 67 (dust-proof, water-tight).

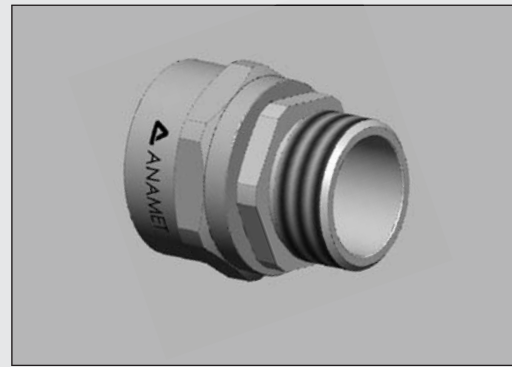
FCE-LFHB	Diametre		Bending radius (cl)		Small reel		Standard reel		Large reel		Weight (Kg/m)
	Size	Inside	Outside	Static	Dynamic	Metre	Article No.	Metre	Article No.	Metre	
DN	(mm)	(mm)	(mm)	(mm)							
16	13,0	18,2	45	60	-	-	25	375.016.2	-	-	0,38
20	17,0	22,7	55	80	-	-	25	375.020.2	-	-	0,49
25	21,2	27,2	70	100	-	-	25	375.025.2	-	-	0,62
32	28,1	35,2	95	125	-	-	25	375.032.2	-	-	0,82

The fittings for Multitite FCE-LFHB are outlined in on pages 2-20 till 2-23



FCE-LFHB	10	12	16	18	20	25	32	40	50	-	-	-
ISO	M10 / M12	M12 / M16	M16 / M20	M20	M20	M25	M32	M40	M50 / M63	-	-	-
Pg	7	9	11 / 13,5	13,5	16	21	29	36	48	-	-	-
NPT	-	-	1/2"	-	1/2"	3/4"	1"	-	-	-	-	-

FITTINGS IP 54 FOR FCE-LFHB



Anaconda IP 54 nickel plated brass fittings for Multitite type FCE-LFHB.

Anaconda Universal range of Multitite fittings are made of nickel plated brass. The IP 54 rated fitting are available in ISO and Pg thread and in fixed and swivel executions for use with Anaconda Multitite Type FCE-LFHB. The 2 piece fitting is designed to resist corrosion and handle tough operating conditions.

Material & Construction:

Construction: Nickel plated brass fitting, consisting of 2 parts (body and cap).

Material: Body and cap are nickel plated brass.

Temperature: -55 °C till +260 °C continuous.

Protection class: IP 54.

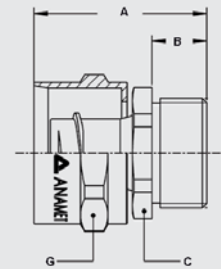
Colour: Metal.



ISO straight fitting, fixed, male, nickel plated brass.



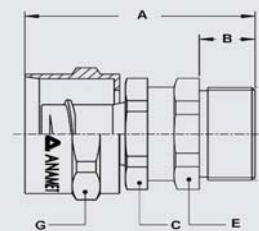
Thread	FCE-LFHB Size (DN)	Min. Internal Bore (mm)	Dimensions in mm					Standard Package	Article Number	Weight (Kg/100)
			A	B	C	G	E			
M16 x 1,5	16	11,2	30	10	20	21	-	10	260.616.0	2,4
M20 x 1,5	16	11,2	30	10	22	21	-	10	260.617.0	2,8
M20 x 1,5	20	15,2	31	10	24	26	-	10	260.620.0	3,2
M25 x 1,5	25	19,2	37	12	30	30	-	5	260.625.0	5,7
M32 x 1,5	32	25,9	39	13	38	40	-	5	260.632.0	8,4



ISO straight fitting, swivel, male, nickel plated brass.



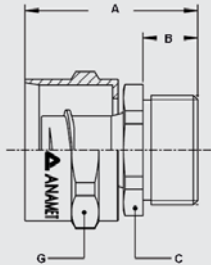
Thread	FCE-LFHB Size (DN)	Min. Internal Bore (mm)	Dimensions in mm					Standard Package	Article Number	Weight (Kg/100)
			A	B	C	G	E			
M16 x 1,5	16	11,2	39	10	20	21	20	10	261.616.0	4,0
M20 x 1,5	16	11,2	39	10	20	21	22	10	261.617.0	4,4
M20 x 1,5	20	15,2	41	10	24	26	24	10	261.620.0	5,1
M25 x 1,5	25	19,2	48	12	30	30	30	5	261.625.0	9,1
M32 x 1,5	32	25,9	51	13	38	40	38	5	261.632.0	13,6



FITTINGS IP 54 FOR FCE-LFHB



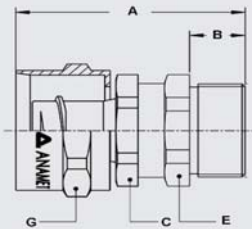
Pg straight fitting, fixed, male, nickel plated brass.



Thread	FCE-LFHB Pg	Min. Internal Bore (mm)	Dimensions in mm					Standard Package	Article Number	Weight (Kg/100)
			A	B	C	G	E			
Pg 11	16	11,2	30	10	20	21	-	10	260.711.0	2,5
Pg 16	20	15,2	31	10	24	26	-	10	260.716.0	3,4
Pg 21	25	19,2	37	12	30	30	-	5	260.721.0	5,8
Pg 29	32	25,9	39	13	38	40	-	5	260.729.0	9,2

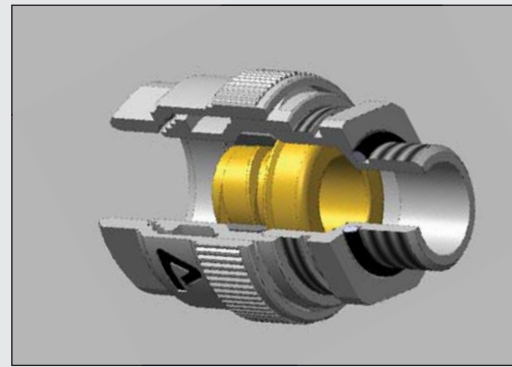


Pg straight fitting, swivel, male, nickel plated brass.



Thread	FCE-LFHB Pg	Min. Internal Bore (mm)	Dimensions in mm					Standard Package	Article Number	Weight (Kg/100)
			A	B	C	G	E			
Pg 11	16	11,2	39	10	20	21	20	10	261.711.0	4,1
Pg 16	20	15,2	41	10	24	26	24	10	261.716.0	5,4
Pg 21	25	19,2	48	12	30	30	30	5	261.721.0	9,5
Pg 29	32	25,9	51	13	38	40	40	5	261.729.0	14,9

FITTINGS IP 65 FOR FCE-LFHB



Anaconda IP 65 nickel plated brass fittings for Multitite type FCE-LFHB.

These fittings are made of nickel plated brass and specially for the Multitite type FCE-LFHB. The IP65 rated fitting is available in ISO and Pg thread sizes and in various executions (straight, swivel and conduit connector) for use with Anaconda Multitite Type FCE-LFHB. This 5 piece fitting is designed to resist corrosion and handle tough operating conditions. The gripping construction on the outside of the braid provides an optimum tensile strength and improved shielding characteristics.

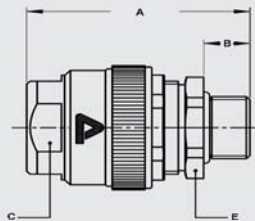
Construction: Nickel plated brass fitting, consisting of 5 parts (Cap, intermediate body, clamping ring, ferrule and body)

Material: Cap, intermediate body and body are nickel plated brass. Ferrule is from passivated brass and clamping ring is from PA6.

Temperature: -45 °C till +105 °C continuous.

Protection class: IP 65.

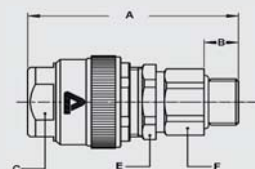
Colour: Metal.



ISO straight fitting, compact, male, nickel plated brass (including connection set)



Thread	FCE-LFHB Size (DN)	Min. Internal Bore (mm)	Dimensions in mm					Standard Package	Article Number	Weight (Kg/100)
			A	B	C	D	E			
M16 x 1,5	16	11,2	48	10	24	-	24	10	732.016.4	9,5
M20 x 1,5	16	11,2	48	10	24	-	24	10	732.017.4	9,8
M20 x 1,5	20	15,2	51	10	28	-	27	10	732.020.4	11,5
M25 x 1,5	25	19,2	52	10	34	-	33	5	732.025.4	16,0
M32 x 1,5	32	25,9	59	12	41	-	42	5	732.032.4	25,5

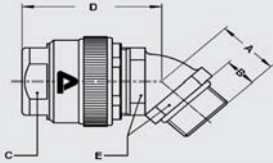


ISO straight swivel fitting, male, nickel plated brass (including connection set)



Thread	FCE-LFHB Size (DN)	Min. Internal Bore (mm)	Dimensions in mm					Standard Package	Article Number	Weight (Kg/100)
			A	B	C	E	F			
M16 x 1,5	16	10,7	65	10	24	24	21	10	733.016.4	13,5
M20 x 1,5	20	13,9	68	10	28	27	25	10	733.020.4	16,0
M25 x 1,5	25	17,4	69	10	34	33	31	5	733.025.4	23,0
M32 x 1,5	32	23,4	78	12	41	42	38	5	733.032.4	35,5

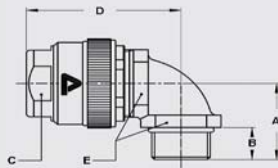
FITTINGS IP 65 FOR FCE-LFHB



45° elbow fitting ISO, compact, male, nickel plated brass (including connection set)



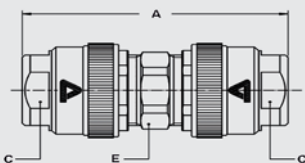
Thread	FCE-LFHB Size (DN)	Min. Internal Bore (mm)	Dimensions in mm					Standard Package	Article Number	Weight (Kg/100)
			A	B	C	D	E			
M16 x 1,5	16	11,2	19	10	24	44	22	10	732.416.4	12,5
M20 x 1,5	16	11,2	20	10	24	45	24	10	732.417.4	13,5
M20 x 1,5	20	15,2	21	10	28	50	27	10	732.420.4	15,8
M25 x 1,5	25	19,2	23	10	34	53	33	5	732.425.4	23,5
M32 x 1,5	32	25,9	28	12	41	61	42	5	732.432.4	38,5



90° elbow fitting ISO, compact, male, nickel plated brass (including connection set)



Thread	FCE-LFHB Size (DN)	Min. Internal Bore (mm)	Dimensions in mm					Standard Package	Article Number	Weight (Kg/100)
			A	B	C	D	E			
M16 x 1,5	16	11,2	26	10	24	48	22	10	732.916.4	13,0
M20 x 1,5	16	11,2	26	10	24	49	24	10	732.917.4	14,0
M20 x 1,5	20	15,2	28	10	28	54	27	10	732.920.4	16,5
M25 x 1,5	25	19,2	32	10	34	61	33	5	732.925.4	24,0
M32 x 1,5	32	25,9	40	12	41	69	42	5	732.932.4	39,0



Conduit connector, nickel plated brass (including connection set)



Thread	FCE-LFHB Size (DN)	Min. Internal Bore (mm)	Dimensions in mm					Standard Package	Article Number	Weight (Kg/100)
			A	B	C	D	E			
-	16	11,2	75	-	24	-	24	10	785.012.4	18,5
-	20	15,2	84	-	28	-	27	10	785.016.4	21,5
-	25	19,2	88	-	34	-	33	5	785.020.4	29,5
-	32	25,9	96	-	41	-	44	5	785.026.4	48,0