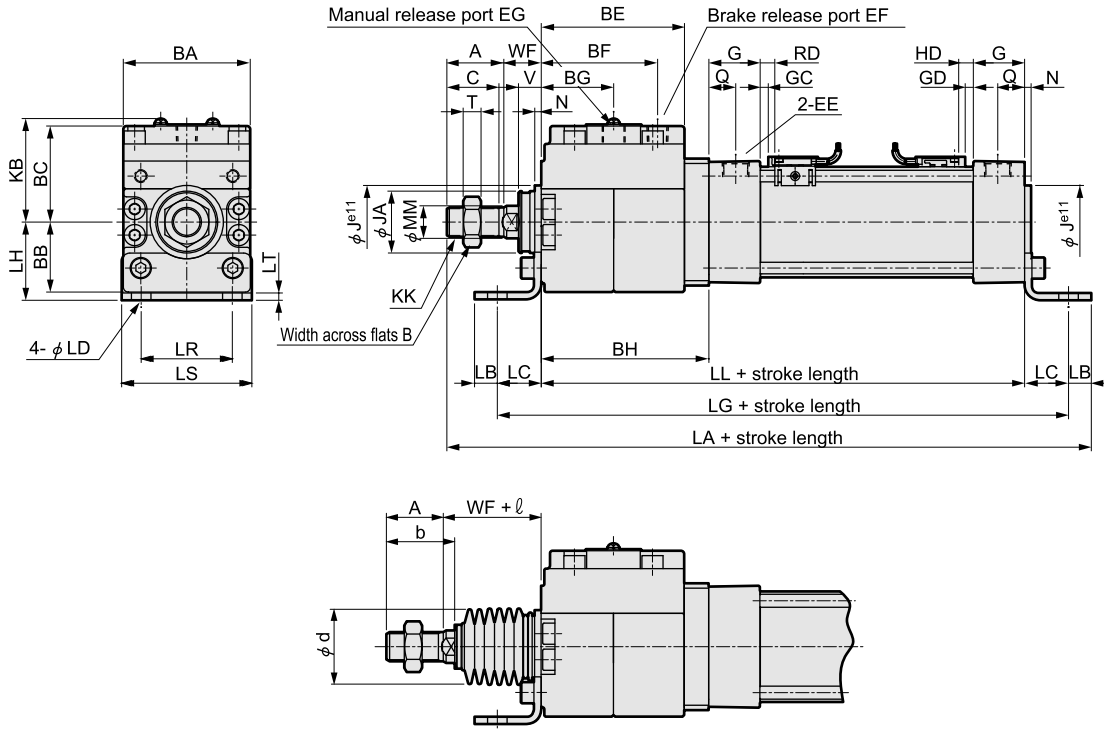




### Dimensions



#### ● Axial foot type (LB)



Note 1: Dimensions shown in parentheses are for the rubber cushion type. This type is longer than the air cushion type.

(φ 40; +6mm, φ 50/φ 63; +8mm, φ 80/φ 100; +10mm)

Note 2: RD and HD dimensions in the dimension drawings indicate the position of switch end, and GC and GD indicate the position of switch rail end.

Note 3: Refer to page 1281 for dimensions of type with valves (JSG-V).

Note 4: Refer to page 1282 for 2 color indicator type, HD, RD dimensions and projection dimensions of preventive maintenance output switch.

Symbol	Axial foot type (LB) basic dimensions																		
	A	B	BA	BB	BC	BE	BF	BG	BH	C	EE	EF	EG	G	J	JA	KB	KK	Note 1 LL
φ 40	30	22	57	31.5	46.5	63	52.5	32.5	77	27	Rc1/4	Rc1/8	M12	27	35	31	51.1	M14 x 1.5	161 (167)
φ 50	35	27	68	38	54	74	59	39	89	32	Rc1/4	Rc1/8	M12	31.5	40	38	58.6	M18 x 1.5	183 (191)
φ 63	35	27	78	43	59	88	71.5	44.5	103	32	Rc3/8	Rc1/4	M14	31.5	45	38	63.6	M18 x 1.5	197 (205)
φ 80	40	32	98	53	72.5	108	81.5	54.5	131	37	Rc3/8	Rc1/4	M16	38	45	43	77.1	M22 x 1.5	245 (255)
φ 100	40	41	118	63	80.5	129	101	65.5	151	37	Rc1/2	Rc3/8	M18	38	55	51	85.1	M26 x 1.5	265 (275)

Symbol	Installation dimensions														
	MM	N	Q	T	V	WF	Note 1 LA	LB	LC	LD	Note 1 LG	LH	LR	LS	LT
φ 40	16	4	14	8	13	21	247 (253)	11	24	9	209 (215)	33	38	55	3.2
φ 50	20	4	15.5	11	14	23	279 (287)	11	27	9	237 (245)	40	46	70	3.2
φ 63	20	4	16.5	11	14	23	296 (304)	14	27	12	251 (259)	48	56	80	4.5
φ 80	25	4	19	13	20	32	361 (371)	14	30	12	305 (315)	55	72	95	4.5
φ 100	30	4	19	16	20	32	385 (395)	16	32	14	329 (339)	65	89	114	6

Symbol	With bellows										With switch								
	A	b	d	WF	φ						Note 1 GC	Note 1 GD	Note 1 RD	Note 1 HD	P				
φ 40	30	35	40	21	50 or less	50 to 100	100 to 150	150 to 200	200 to 300	300 to 400	400 to 500	500 to 600	600 to 700	700 to 750	1 (4)	1 (4)	5 (8)	5 (8)	29
φ 50	35	42	47	23	31	44	56	69	94	119	144	169	-	-	2.5 (6.5)	1 (5)	6.5 (10.5)	5 (9)	34
φ 63	35	42	47	23	31	44	56	69	94	119	144	169	-	-	2.5 (6.5)	1 (5)	6.5 (10.5)	5 (9)	40
φ 80	40	50	53	32	29	42	54	67	92	117	142	167	192	204	8.5 (13.5)	2 (7)	12.5 (17.5)	6 (11)	-
φ 100	40	52.5	61	32	29	42	54	67	92	117	142	167	192	204	8 (13)	2.5 (7.5)	12 (17)	6.5 (11.5)	-

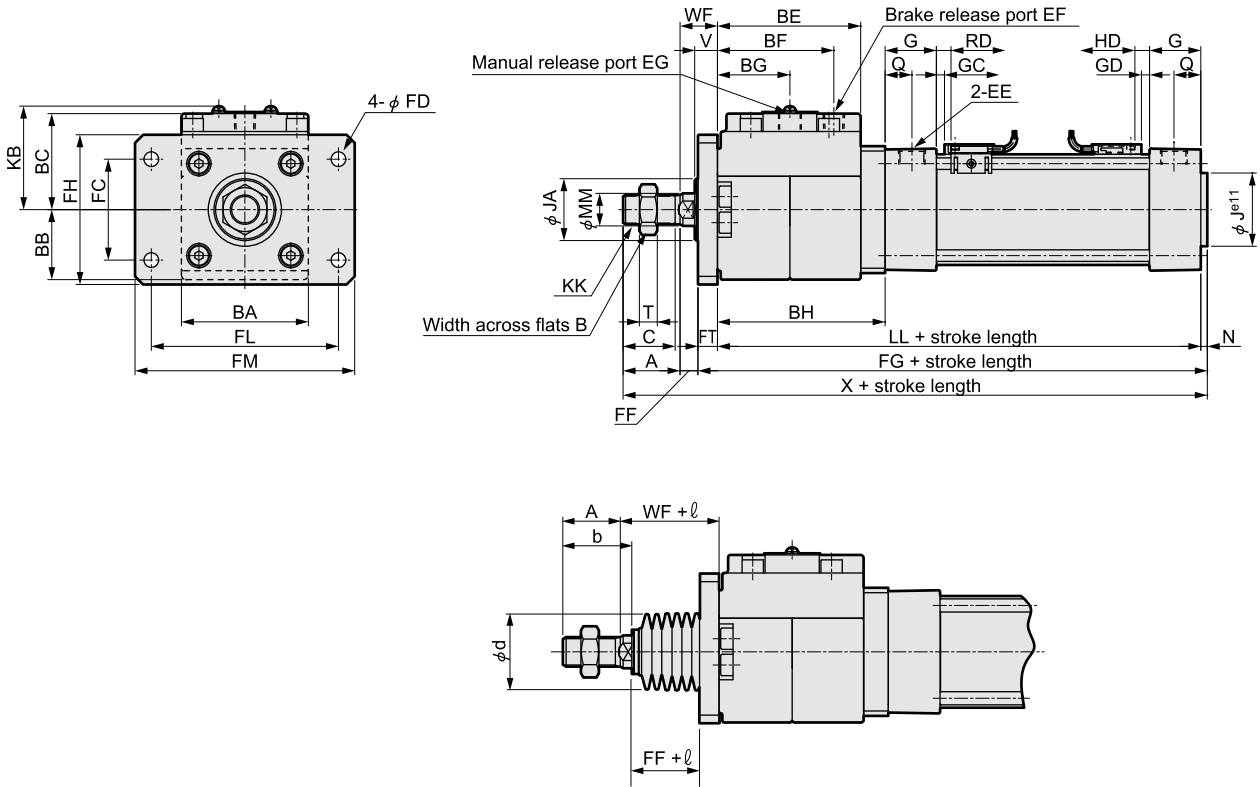
- SCP\*2
- CMK2
- CMA2
- SCM
- SCG
- SCA2
- SCS
- CKV2
- CA/OV2
- SSD
- CAT
- MDC2
- MVC
- SMD2
- MSD\*
- FC\*
- STK
- ULK\*
- JSK/M2
- JSG**
- JSC3
- USSD
- USC
- JSB3
- LMB
- STG
- STS/L
- LCS
- LCG
- LCM
- LCT
- LCY
- STR2
- UCA2
- HCM
- HCA
- SRL2
- SRG
- SRM
- SRT
- MRL2
- MRG2
- SM-25
- CAC3
- UCAC
- RCC2
- MFC
- SHC
- GLC

Tie rod cylinder with brake  
With brake



## Dimensions

### ● Rod end flange type (FA)



Note 1: Dimensions shown in parentheses are for the rubber cushion type. This type is longer than the air cushion type.

(φ 40; +6mm, φ 50/φ 63; +8mm, φ 80/φ 100; +10mm)

Note 2: RD and HD dimensions in the dimension drawings indicate the position of switch end, and GC and GD indicate the position of switch rail end.

Note 3: Refer to page 1281 for dimensions of type with valves (JSG-V).

Note 4: Refer to page 1282 for 2 color indicator type, HD, RD dimensions and projection dimensions of preventive maintenance output switch.

Symbol	Rod end flange type (FA) basic dimensions																		
	A	B	BA	BB	BC	BE	BF	BG	BH	C	EE	EF	EG	G	J	JA	KB	KK	Note 1 LL
φ 40	30	22	57	31.5	46.5	63	52.5	32.5	77	27	Rc1/4	Rc1/8	M12	27	35	31	51.1	M14 x 1.5	161 (167)
φ 50	35	27	68	38	54	74	59	39	89	32	Rc1/4	Rc1/8	M12	31.5	40	38	58.6	M18 x 1.5	183 (191)
φ 63	35	27	78	43	59	88	71.5	44.5	103	32	Rc3/8	Rc1/4	M14	31.5	45	38	63.6	M18 x 1.5	197 (205)
φ 80	40	32	98	53	72.5	108	81.5	54.5	131	37	Rc3/8	Rc1/4	M16	38	45	43	77.1	M22 x 1.5	245 (255)
φ 100	40	41	118	63	80.5	129	101	65.5	151	37	Rc1/2	Rc3/8	M18	38	55	51	85.1	M26 x 1.5	265 (275)

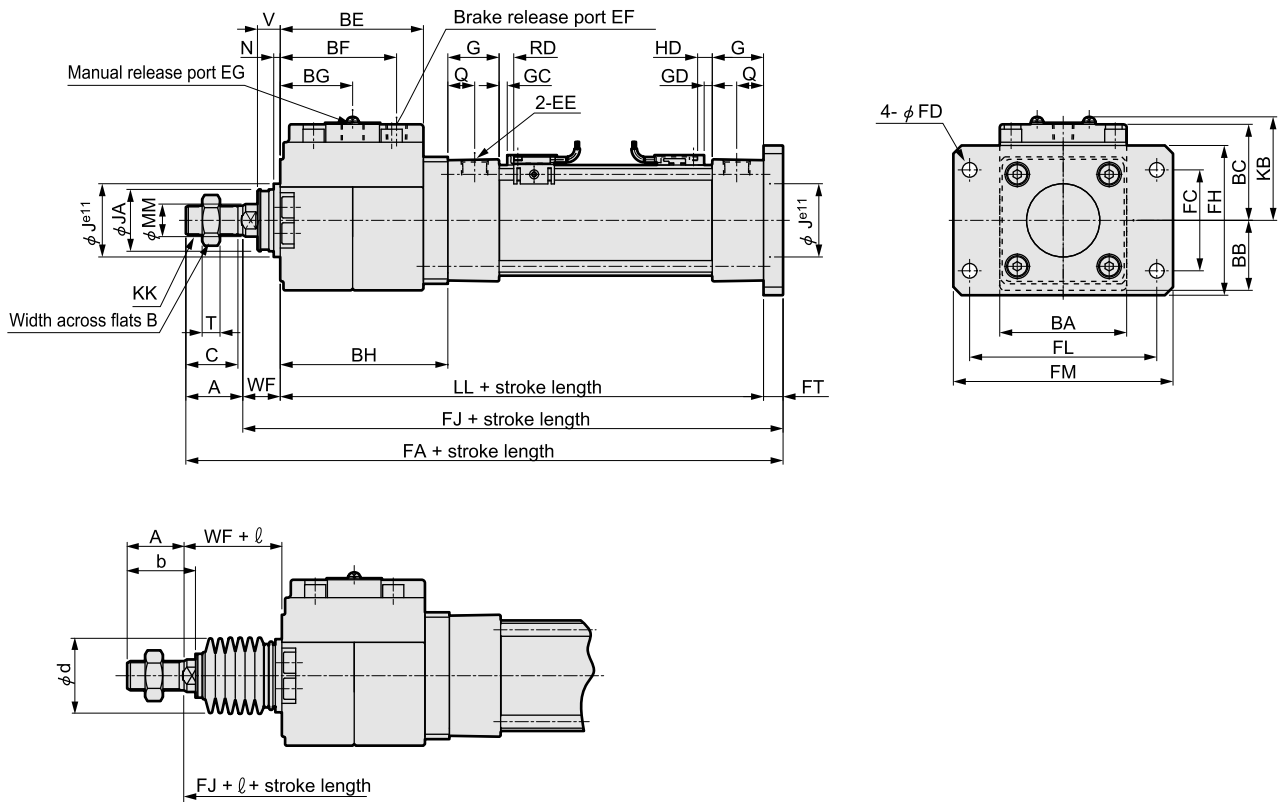
Symbol	Installation dimensions														
	MM	N	Q	T	V	WF	Note 1 X	FC	FD	FF	Note 1 FG	FH	FL	FM	FT
φ 40	16	4	14	8	13	21	216 (222)	46	9	11	175 (181)	65	83	101	10
φ 50	20	4	15.5	11	14	23	245 (253)	52	9	11	199 (207)	77	100	120	12
φ 63	20	4	16.5	11	14	23	259 (267)	62	9	11	213 (221)	92	115	135	12
φ 80	25	4	19	13	20	32	321 (331)	63	12	16	265 (275)	100	126	153	16
φ 100	30	4	19	16	20	32	341 (351)	75	14	16	285 (295)	120	150	178	16

Symbol	With bellows										With switch								
	A	b	d	WF	ℓ						Note 1 GC	Note 1 GD	Note 1 RD	Note 1 HD	P				
φ 40	30	35	40	21	50 or less	50 to 100	100 to 150	150 to 200	200 to 300	300 to 400	400 to 500	500 to 600	600 to 700	700 to 750	1 (4)	1 (4)	5 (8)	5 (8)	29
φ 50	35	42	47	23	30	43	55	68	93	118	143	-	-	-	2.5 (6.5)	1 (5)	6.5 (10.5)	5 (9)	34
φ 63	35	42	47	23	31	44	56	69	94	119	144	169	-	-	2.5 (6.5)	1 (5)	6.5 (10.5)	5 (9)	40
φ 80	40	50	53	32	29	42	54	67	92	117	142	167	192	204	8.5 (13.5)	2 (7)	12.5 (17.5)	6 (11)	-
φ 100	40	52.5	61	32	29	42	54	67	92	117	142	167	192	204	8 (13)	2.5 (7.5)	12 (17)	6.5 (11.5)	-

### Dimensions



#### ● Head end flange type (FB)



Note 1: Dimensions shown in parentheses are for the rubber cushion type. This type is longer than the air cushion type.

( $\phi$  40; +6mm,  $\phi$  50/ $\phi$  63; +8mm,  $\phi$  80/ $\phi$  100; +10mm)

Note 2: RD and HD dimensions in the dimension drawings indicate the position of switch end, and GC and GD indicate the position of switch rail end.

Note 3: Refer to page 1281 for dimensions of type with valves (JSG-V).

Note 4: Refer to page 1282 for 2 color indicator type, HD, RD dimensions and projection dimensions of preventive maintenance output switch.

Symbol	Head end flange type (FB) basic dimensions																		
	A	B	BA	BB	BC	BE	BF	BG	BH	C	EE	EF	EG	G	J	JA	KB	KK	Note 1 LL
$\phi$ 40	30	22	57	31.5	46.5	63	52.5	32.5	77	27	Rc1/4	Rc1/8	M12	27	35	31	51.1	M14 x 1.5	161 (167)
$\phi$ 50	35	27	68	38	54	74	59	39	89	32	Rc1/4	Rc1/8	M12	31.5	40	38	58.6	M18 x 1.5	183 (191)
$\phi$ 63	35	27	78	43	59	88	71.5	44.5	103	32	Rc3/8	Rc1/4	M14	31.5	45	38	63.6	M18 x 1.5	197 (205)
$\phi$ 80	40	32	98	53	72.5	108	81.5	54.5	131	37	Rc3/8	Rc1/4	M16	38	45	43	77.1	M22 x 1.5	245 (255)
$\phi$ 100	40	41	118	63	80.5	129	101	65.5	151	37	Rc1/2	Rc3/8	M18	38	55	51	85.1	M26 x 1.5	265 (275)

Symbol	Installation dimensions													
	MM	N	Q	T	V	WF	Note 1 FA	FC	FD	FH	Note 1 FJ	FL	FM	FT
$\phi$ 40	16	4	14	8	13	21	222 (228)	46	9	65	192 (198)	83	101	10
$\phi$ 50	20	4	15.5	11	14	23	253 (261)	52	9	77	218 (226)	100	120	12
$\phi$ 63	20	4	16.5	11	14	23	267 (275)	62	9	92	232 (240)	115	135	12
$\phi$ 80	25	4	19	13	20	32	333 (343)	63	12	100	293 (303)	126	153	16
$\phi$ 100	30	4	19	16	20	32	353 (363)	75	14	120	313 (323)	150	178	16

Symbol	With bellows										With switch								
	A	b	d	WF	$\phi$						Note 1 GC	Note 1 GD	Note 1 RD	Note 1 HD	P				
Bore size (mm)					50 or less	50 to 100	100 to 150	150 to 200	200 to 300	300 to 400	400 to 500	500 to 600	600 to 700	700 to 750					
$\phi$ 40	30	35	40	21	30	43	55	68	93	118	143	-	-	-	1 (4)	1 (4)	5 (8)	5 (8)	29
$\phi$ 50	35	42	47	23	31	44	56	69	94	119	144	169	-	-	2.5 (6.5)	1 (5)	6.5 (10.5)	5 (9)	34
$\phi$ 63	35	42	47	23	31	44	56	69	94	119	144	169	-	-	2.5 (6.5)	1 (5)	6.5 (10.5)	5 (9)	40
$\phi$ 80	40	50	53	32	29	42	54	67	92	117	142	167	192	204	8.5 (13.5)	2 (7)	12.5 (17.5)	6 (11)	-
$\phi$ 100	40	52.5	61	32	29	42	54	67	92	117	142	167	192	204	8 (13)	2.5 (7.5)	12 (17)	6.5 (11.5)	-

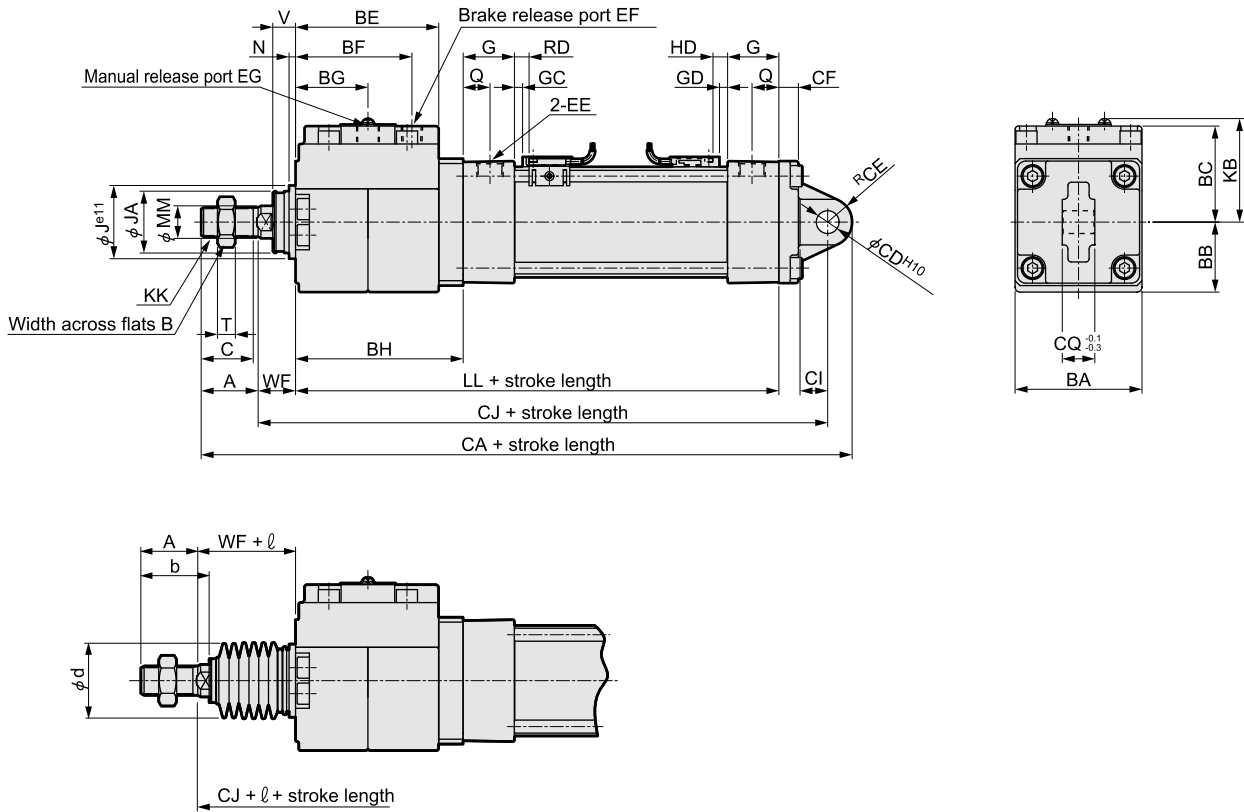
- SCP\*2
- CMK2
- CMA2
- SCM
- SCG
- SCA2
- SCS
- CKV2
- CA/OV2
- SSD
- CAT
- MDC2
- MVC
- SMD2
- MSD\*
- FC\*
- STK
- ULK\*
- JSK/M2
- JSG**
- JSC3
- USSD
- USC
- JSB3
- LMB
- STG
- STS/L
- LCS
- LCG
- LCM
- LCT
- LCY
- STR2
- UCA2
- HCM
- HCA
- SRL2
- SRG
- SRM
- SRT
- MRL2
- MRG2
- SM-25
- CAC3
- UCAC
- RCC2
- MFC
- SHC
- GLC

Tie rod cylinder with brake  
With brake

## Dimensions



### ● Eye bracket type (CA)



Note 1: Dimensions shown in parentheses are for the rubber cushion type. This type is longer than the air cushion type.

( $\phi 40$ ; +6mm,  $\phi 50/\phi 63$ ; +8mm,  $\phi 80/\phi 100$ ; +10mm)

Note 2: RD and HD dimensions in the dimension drawings indicate the position of switch end, and GC and GD indicate the position of switch rail end.

Note 3: Refer to page 1281 for dimensions of type with valves (JSG-V).

Note 4: Refer to page 1282 for 2 color indicator type, HD, RD dimensions and projection dimensions of preventive maintenance output switch.

Symbol	Eye bracket type (CA) basic dimensions																		
	A	B	BA	BB	BC	BE	BF	BG	BH	C	EE	EF	EG	G	J	JA	KB	KK	Note 1 LL
$\phi 40$	30	22	57	31.5	46.5	63	52.5	32.5	77	27	Rc1/4	Rc1/8	M12	27	35	31	51.1	M14 x 1.5	161 (167)
$\phi 50$	35	27	68	38	54	74	59	39	89	32	Rc1/4	Rc1/8	M12	31.5	40	38	58.6	M18 x 1.5	183 (191)
$\phi 63$	35	27	78	43	59	88	71.5	44.5	103	32	Rc3/8	Rc1/4	M14	31.5	45	38	63.6	M18 x 1.5	197 (205)
$\phi 80$	40	32	98	53	72.5	108	81.5	54.5	131	37	Rc3/8	Rc1/4	M16	38	45	43	77.1	M22 x 1.5	245 (255)
$\phi 100$	40	41	118	63	80.5	129	101	65.5	151	37	Rc1/2	Rc3/8	M18	38	55	51	85.1	M26 x 1.5	265 (275)

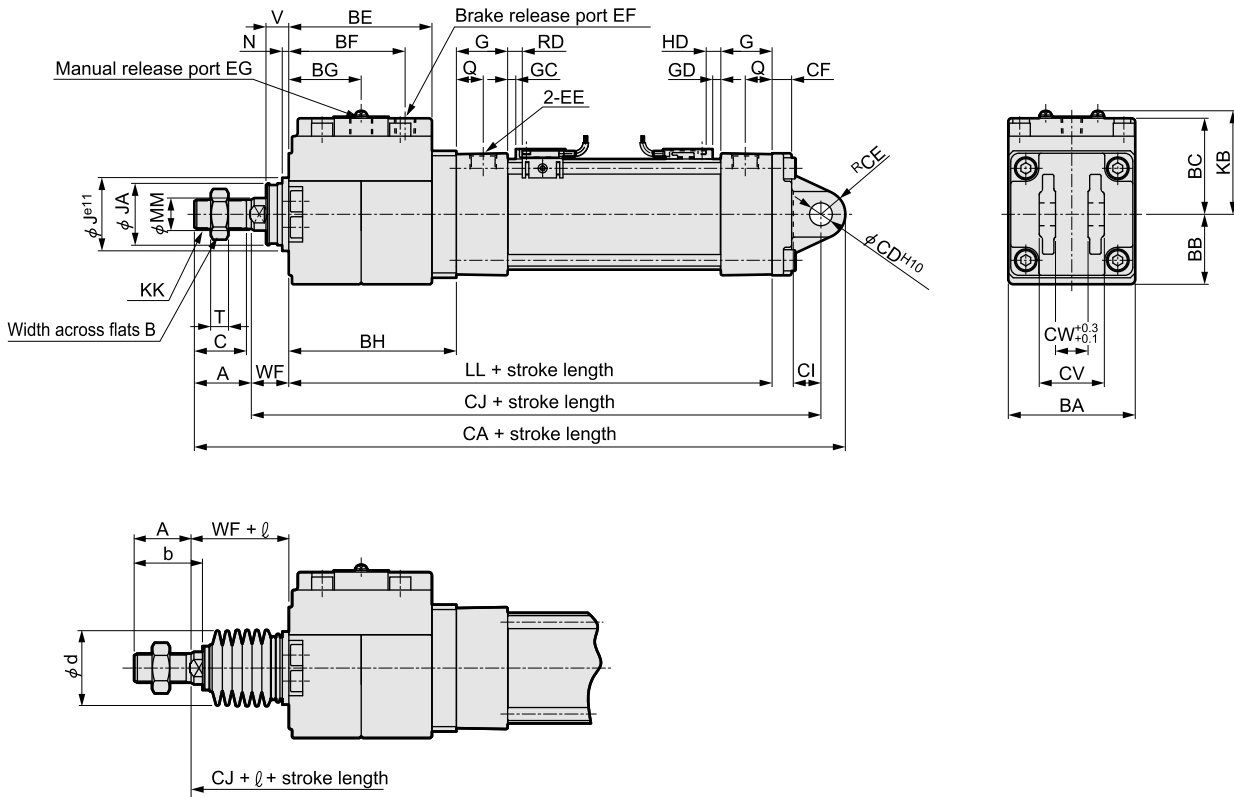
Symbol	Installation dimensions												
	MM	N	Q	T	V	WF	Note 1 CA	CD	CE	CF	CI	Note 1 CJ	CQ
$\phi 40$	16	4	14	8	13	21	246 (252)	10	11	9	13	205 (211)	14
$\phi 50$	20	4	15.5	11	14	23	286 (294)	14	15	12	17	236 (244)	20
$\phi 63$	20	4	16.5	11	14	23	300 (308)	14	15	12	17	250 (258)	20
$\phi 80$	25	4	19	13	20	32	382 (392)	22	23	15	26	319 (329)	30
$\phi 100$	30	4	19	16	20	32	402 (412)	22	23	15	26	339 (349)	30

Symbol	With bellows										With switch								
	A	b	d	WF	$\ell$						Note 1 GC	Note 1 GD	Note 1 RD	Note 1 HD	P				
Bore size (mm)					50 or less	50 to 100	100 to 150	150 to 200	200 to 300	300 to 400	400 to 500	500 to 600	600 to 700	700 to 750					
$\phi 40$	30	35	40	21	30	43	55	68	93	118	143	-	-	-	1 (4)	1 (4)	5 (8)	5 (8)	29
$\phi 50$	35	42	47	23	31	44	56	69	94	119	144	169	-	-	2.5 (6.5)	1 (5)	6.5 (10.5)	5 (9)	34
$\phi 63$	35	42	47	23	31	44	56	69	94	119	144	169	-	-	2.5 (6.5)	1 (5)	6.5 (10.5)	5 (9)	40
$\phi 80$	40	50	53	32	29	42	54	67	92	117	142	167	192	204	8.5 (13.5)	2 (7)	12.5 (17.5)	6 (11)	-
$\phi 100$	40	52.5	61	32	29	42	54	67	92	117	142	167	192	204	8 (13)	2.5 (7.5)	12 (17)	6.5 (11.5)	-

### Dimensions



● Clevis bracket (CB)



Note 1: Dimensions shown in parentheses are for the rubber cushion type. This type is longer than the air cushion type.  
 (φ 40; +6mm, φ 50/φ 63; +8mm, φ 80/φ 100; +10mm)  
 Note 2: RD and HD dimensions in the dimension drawings indicate the position of switch end, and GC and GD indicate the position of switch rail end.  
 Note 3: Refer to page 1281 for dimensions of type with valves (JSG-V).  
 Note 4: Refer to page 1282 for 2 color indicator type, HD, RD dimensions and projection dimensions of preventive maintenance output switch.  
 Note 5: A pin, a split pin and a plain washer are included.

Symbol	Clevis bracket type (CB) basic dimensions.																		
Bore size (mm)	A	B	BA	BB	BC	BE	BF	BG	BH	C	EE	EF	EG	G	J	JA	KB	KK	Note 1 LL
φ 40	30	22	57	31.5	46.5	63	52.5	32.5	77	27	Rc1/4	Rc1/8	M12	27	35	31	51.1	M14 x 1.5	161 (167)
φ 50	35	27	68	38	54	74	59	39	89	32	Rc1/4	Rc1/8	M12	31.5	40	38	58.6	M18 x 1.5	183 (191)
φ 63	35	27	78	43	59	88	71.5	44.5	103	32	Rc3/8	Rc1/4	M14	31.5	45	38	63.6	M18 x 1.5	197 (205)
φ 80	40	32	98	53	72.5	108	81.5	54.5	131	37	Rc3/8	Rc1/4	M16	38	45	43	77.1	M22 x 1.5	245 (255)
φ 100	40	41	118	63	80.5	129	101	65.5	151	37	Rc1/2	Rc3/8	M18	38	55	51	85.1	M26 x 1.5	265 (275)

Symbol	Installation dimensions													
Bore size (mm)	MM	N	Q	T	V	WF	Note 1 CA	CD	CE	CF	CI	Note 1 CJ	CV	CW
φ 40	16	4	14	8	13	21	246 (252)	10	11	9	13	205 (211)	28	14
φ 50	20	4	15.5	11	14	23	286 (294)	14	15	12	17	236 (244)	40	20
φ 63	20	4	16.5	11	14	23	300 (308)	14	15	12	17	250 (258)	40	20
φ 80	25	4	19	13	20	32	382 (392)	22	23	15	26	319 (329)	60	30
φ 100	30	4	19	16	20	32	402 (412)	22	23	15	26	339 (349)	60	30

Symbol	With bellows													With switch					
Bore size (mm)	A	b	d	WF	ℓ									Note 1 GC	Note 1 GD	Note 1 RD	Note 1 HD	P	
					50 or less	50 to 100	100 to 150	150 to 200	200 to 300	300 to 400	400 to 500	500 to 600	600 to 700						700 to 750
φ 40	30	35	40	21	30	43	55	68	93	118	143	-	-	-	1 (4)	1 (4)	5 (8)	5 (8)	29
φ 50	35	42	47	23	31	44	56	69	94	119	144	169	-	-	2.5 (6.5)	1 (5)	6.5 (10.5)	5 (9)	34
φ 63	35	42	47	23	31	44	56	69	94	119	144	169	-	-	2.5 (6.5)	1 (5)	6.5 (10.5)	5 (9)	40
φ 80	40	50	53	32	29	42	54	67	92	117	142	167	192	204	8.5 (13.5)	2 (7)	12.5 (17.5)	6 (11)	-
φ 100	40	52.5	61	32	29	42	54	67	92	117	142	167	192	204	8 (13)	2.5 (7.5)	12 (17)	6.5 (11.5)	-

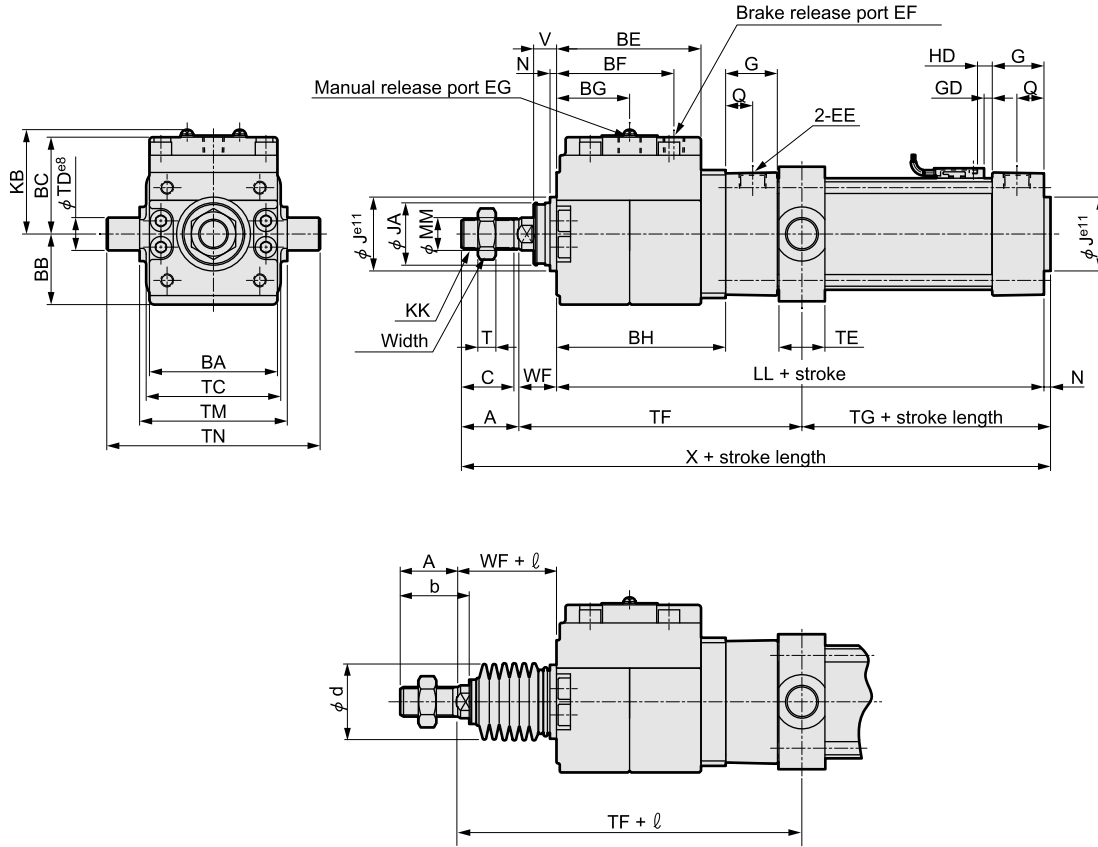
- SCP\*2
- CMK2
- CMA2
- SCM
- SCG
- SCA2
- SCS
- CKV2
- CA/OV2
- SSD
- CAT
- MDC2
- MVC
- SMD2
- MSD\*
- FC\*
- STK
- ULK\*
- JSK/M2
- JSG**
- JSC3
- USSD
- USC
- JSB3
- LMB
- STG
- STS/L
- LCS
- LCG
- LCM
- LCT
- LCY
- STR2
- UCA2
- HCM
- HCA
- SRL2
- SRG
- SRM
- SRT
- MRL2
- MRG2
- SM-25
- CAC3
- UCAC
- RCC2
- MFC
- SHC
- GLC

Ending  
 Tie rod cylinder with brake  
 With brake



## Dimensions

### ● Rod end trunnion type (TA)



Note 1: Dimensions shown in parentheses are for the rubber cushion type. This type is longer than the air cushion type.

( $\phi$ 40; +6mm,  $\phi$  50/ $\phi$ 63; +8mm,  $\phi$  80/ $\phi$ 100; +10mm)

Note 2: Switches can not be installed on the rod end.

Note 3: RD and HD dimensions in the dimension drawings indicate the position of switch end, and GC and GD indicate the position of switch rail end.

Note 4: Refer to page 1281 for dimensions of type with valves (JSG-V).

Note 5: Refer to page 1282 for 2 color indicator type, HD, RD dimensions and projection dimensions of preventive maintenance output switch.

Symbol	Rod end trunnion type (TA) basic dimensions																	Note 1 LL		
	A	B	BA	BB	BC	BE	BF	BG	BH	C	EE	EF	EG	G	J	JA	KB		KK	
Bore size (mm)																				
$\phi$ 40	30	22	57	31.5	46.5	63	52.5	32.5	77	27	Rc1/4	Rc1/8	M12	27	35	31	51.1	M14 x 1.5	161 (167)	
$\phi$ 50	35	27	68	38	54	74	59	39	89	32	Rc1/4	Rc1/8	M12	31.5	40	38	58.6	M18 x 1.5	183 (191)	
$\phi$ 63	35	27	78	43	59	88	71.5	44.5	103	32	Rc3/8	Rc1/4	M14	31.5	45	38	63.6	M18 x 1.5	197 (205)	
$\phi$ 80	40	32	98	53	72.5	108	81.5	54.5	131	37	Rc3/8	Rc1/4	M16	38	45	43	77.1	M22 x 1.5	245 (255)	
$\phi$ 100	40	41	118	63	80.5	129	101	65.5	151	37	Rc1/2	Rc3/8	M18	38	55	51	85.1	M26 x 1.5	265 (275)	

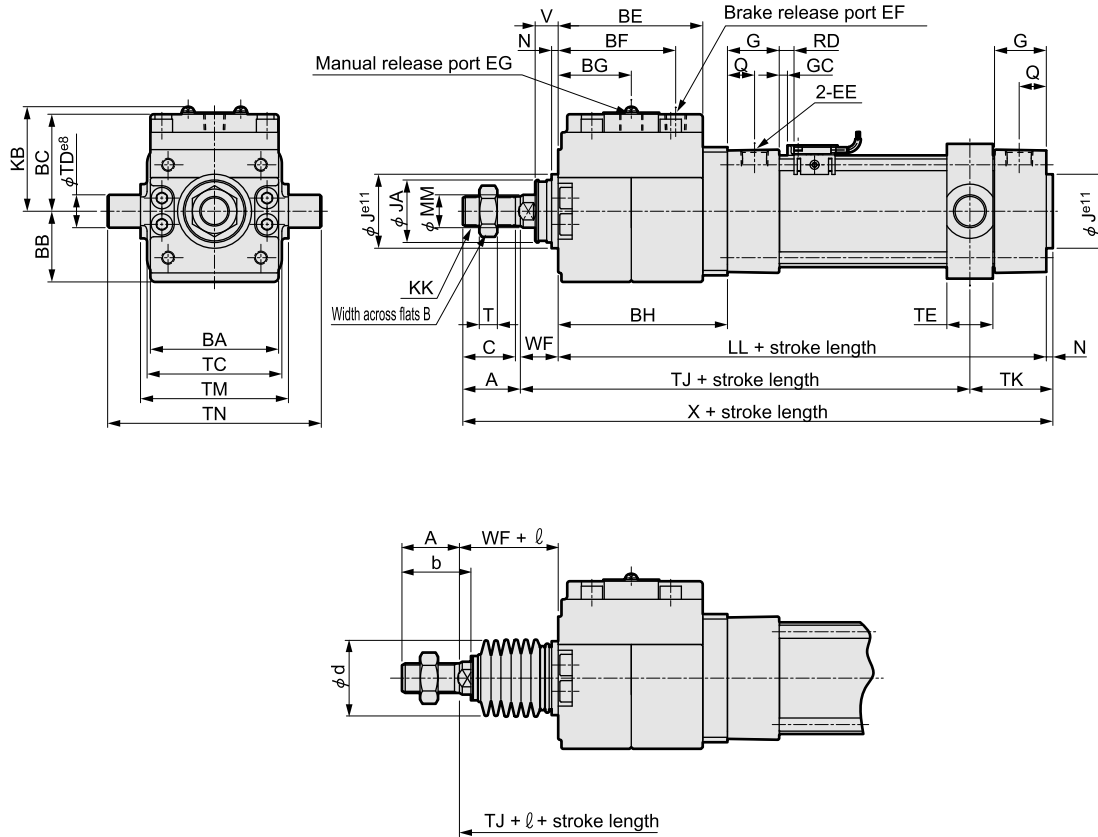
Symbol	Installation dimensions													
	MM	N	Q	T	V	WF	Note 1 X	TC	TD	TE	TF	Note 1 TG	TM	TN
Bore size (mm)														
$\phi$ 40	16	4	14	8	13	21	216 (222)	57	16	22	137	49 (55)	63	95
$\phi$ 50	20	4	15.5	11	14	23	245 (253)	67	16	22	155.5	54.5 (62.5)	75	107
$\phi$ 63	20	4	16.5	11	14	23	259 (267)	82	20	28	172.5	51.5 (59.5)	90	130
$\phi$ 80	25	4	19	13	20	32	321 (331)	100	20	34	219	62 (72)	110	150
$\phi$ 100	30	4	19	16	20	32	341 (351)	121	25	40	242	59 (69)	132	182

Symbol	With bellows										With switch					
	A	b	d	WF	$\ell$						Note 1 GD	Note 1 HD				
Bore size (mm)					50 or less	50 to 100	100 to 150	200 to 300	300 to 400	300 to 350	400 to 500	500 to 600	600 to 700	700 to 750		
$\phi$ 40	30	35	40	21	30	43	55	68	93	118	143	-	-	-	1 (4)	5 (8)
$\phi$ 50	35	42	47	23	31	44	56	69	94	119	144	169	-	-	1 (5)	5 (9)
$\phi$ 63	35	42	47	23	31	44	56	69	94	119	144	169	-	-	1 (5)	5 (9)
$\phi$ 80	40	50	53	32	29	42	54	67	92	117	142	167	192	204	2 (7)	6 (11)
$\phi$ 100	40	52.5	61	32	29	42	54	67	92	117	142	167	192	204	2.5 (7.5)	6.5 (11.5)

### Dimensions



#### ● Head end trunnion (TB)



Note 1: Dimensions shown in parentheses are for the rubber cushion type. This type is longer than the air cushion type.  
( $\phi 40$ ; +6mm,  $\phi 50/\phi 63$ ;+8mm,  $\phi 80/\phi 100$ ; +10mm)

Note 2: Switches can not be installed on the head end.

Note 3: RD and HD dimensions in the dimension drawings indicate the position of switch end, and GC and GD indicate the position of switch rail end.

Note 4: Refer to page 1281 for dimensions of type with valves (JSG-V).

Note 5: Refer to page 1282 for 2 color indicator type, HD, RD dimensions and projection dimensions of preventive maintenance output switch.

Symbol	Head end trunnion (TB) basic dimensions																		
	A	B	BA	BB	BC	BE	BF	BG	BH	C	EE	EF	EG	G	J	JA	KB	KK	Note 1 LL
$\phi 40$	30	22	57	31.5	46.5	63	52.5	32.5	77	27	Rc1/4	Rc1/8	M12	27	35	31	51.1	M14 x 1.5	161 (167)
$\phi 50$	35	27	68	38	54	74	59	39	89	32	Rc1/4	Rc1/8	M12	31.5	40	38	58.6	M18 x 1.5	183 (191)
$\phi 63$	35	27	78	43	59	88	71.5	44.5	103	32	Rc3/8	Rc1/4	M14	31.5	45	38	63.6	M18 x 1.5	197 (205)
$\phi 80$	40	32	98	53	72.5	108	81.5	54.5	131	37	Rc3/8	Rc1/4	M16	38	45	43	77.1	M22 x 1.5	245 (255)
$\phi 100$	40	41	118	63	80.5	129	101	65.5	151	37	Rc1/2	Rc3/8	M18	38	55	51	85.1	M26 x 1.5	265 (275)

Symbol	Installation dimensions													
	MM	N	Q	T	V	WF	Note 1 X	TC	TD	TE	Note 1 TJ	TK	TM	TN
$\phi 40$	16	4	14	8	13	21	216 (222)	57	16	22	143 (149)	43	63	95
$\phi 50$	20	4	15.5	11	14	23	245 (253)	67	16	22	162.5 (170.5)	47.5	75	107
$\phi 63$	20	4	16.5	11	14	23	259 (267)	82	20	28	173.5 (181.5)	50.5	90	130
$\phi 80$	25	4	19	13	20	32	321 (331)	100	20	34	221 (231)	60	110	150
$\phi 100$	30	4	19	16	20	32	341 (351)	121	25	40	238 (248)	63	132	182

Symbol	With bellows											With switch				
	A	b	d	WF	$\ell$								Note 1 GC	Note 1 RD		
Bore size (mm)					50 or less	50 to 100	100 to 150	150 to 200	200 to 300	300 to 400	400 to 500	500 to 600	600 to 700	700 to 750		
$\phi 40$	30	35	40	21	30	43	55	68	93	118	143	-	-	-	1 (4)	5 (8)
$\phi 50$	35	42	47	23	31	44	56	69	94	119	144	169	-	-	2.5 (6.5)	6.5 (10.5)
$\phi 63$	35	42	47	23	31	44	56	69	94	119	144	169	-	-	2.5 (6.5)	6.5 (10.5)
$\phi 80$	40	50	53	32	29	42	54	67	92	117	142	167	192	204	8.5 (13.5)	12.5 (17.5)
$\phi 100$	40	52.5	61	32	29	42	54	67	92	117	142	167	192	204	8 (13)	12 (17)

SCP*2
CMK2
CMA2
SCM
SCG
SCA2
SCS
CKV2
CA/OV2
SSD
CAT
MDC2
MVC
SMD2
MSD*
FC*
STK
ULK*
JSK/M2
<b>JSG</b>
JSC3
USSD
USC
JSB3
LMB
STG
STS/L
LCS
LCG
LCM
LCT
LCY
STR2
UCA2
HCM
HCA
SRL2
SRG
SRM
SRT
MRL2
MRG2
SM-25
CAC3
UCAC
RCC2
MFC
SHC
GLC
Ending

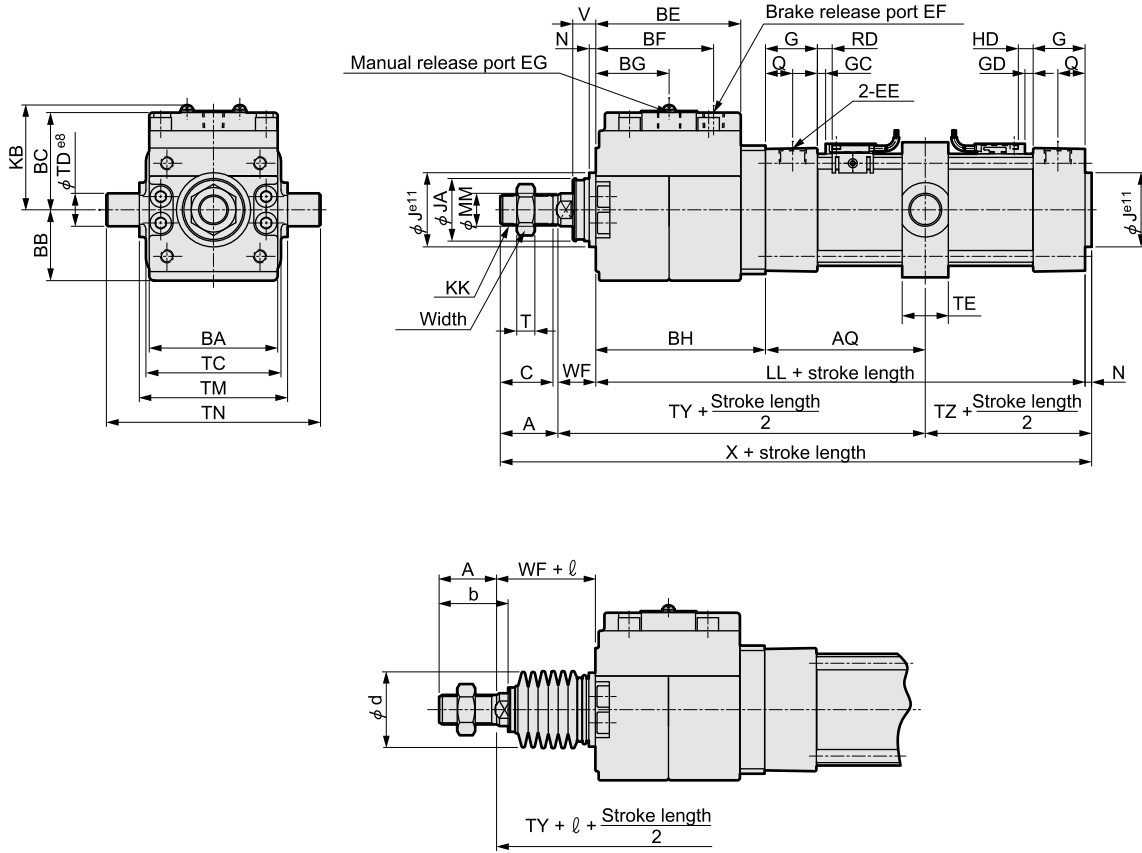
Tie rod cylinder with brake  
With brake



## Dimensions



### ● Center trunnion type (TC)



Note 1: Dimensions shown in parentheses are for the rubber cushion type. This type is longer than the air cushion type.

(φ40; +6mm, φ50/φ63; +8mm, φ80/φ100; +10mm)

Note 2: RD and HD dimensions in the dimension drawings indicate the position of switch end, and GC and GD indicate the position of switch rail end.

Note 3: Refer to page 1281 for dimensions of type with valves (JSG-V).

Note 4: Refer to page 1282 for 2 color indicator type, HD, RD dimensions and projection dimensions of preventive maintenance output switch.

Symbol	Center trunnion type (TC) basic dimensions																		
Bore size (mm)	A	B	BA	BB	BC	BE	BF	BG	BH	C	EE	EF	EG	G	J	JA	KB	KK	Note 1 LL
φ 40	30	22	57	31.5	46.5	63	52.5	32.5	77	27	Rc1/4	Rc1/8	M12	27	35	31	51.1	M14 x 1.5	161 (167)
φ 50	35	27	68	38	54	74	59	39	89	32	Rc1/4	Rc1/8	M12	31.5	40	38	58.6	M18 x 1.5	183 (191)
φ 63	35	27	78	43	59	88	71.5	44.5	103	32	Rc3/8	Rc1/4	M14	31.5	45	38	63.6	M18 x 1.5	197 (205)
φ 80	40	32	98	53	72.5	108	81.5	54.5	131	37	Rc3/8	Rc1/4	M16	38	45	43	77.1	M22 x 1.5	245 (255)
φ 100	40	41	118	63	80.5	129	101	65.5	151	37	Rc1/2	Rc3/8	M18	38	55	51	85.1	M26 x 1.5	265 (275)

Symbol	Installation dimensions														
Bore size (mm)	MM	N	Q	T	V	WF	Note 1 X	TC	TD	TE	TM	TN	Note 1 TY	Note 1 TZ	Note 1 AQ
φ 40	16	4	14	8	13	21	216 (222)	57	16	22	63	95	140 (143)	46 (49)	42 (45)+ Stroke length 2
φ 50	20	4	15.5	11	14	23	245 (253)	67	16	22	75	107	159 (163)	51 (55)	47 (51)+ Stroke length 2
φ 63	20	4	16.5	11	14	23	259 (267)	82	20	28	90	130	173 (177)	51 (55)	47 (51)+ Stroke length 2
φ 80	25	4	19	13	20	32	321 (331)	100	20	34	110	150	220 (225)	61 (66)	57 (62)+ Stroke length 2
φ 100	30	4	19	16	20	32	341 (351)	121	25	40	132	182	240 (245)	61 (66)	57 (62)+ Stroke length 2

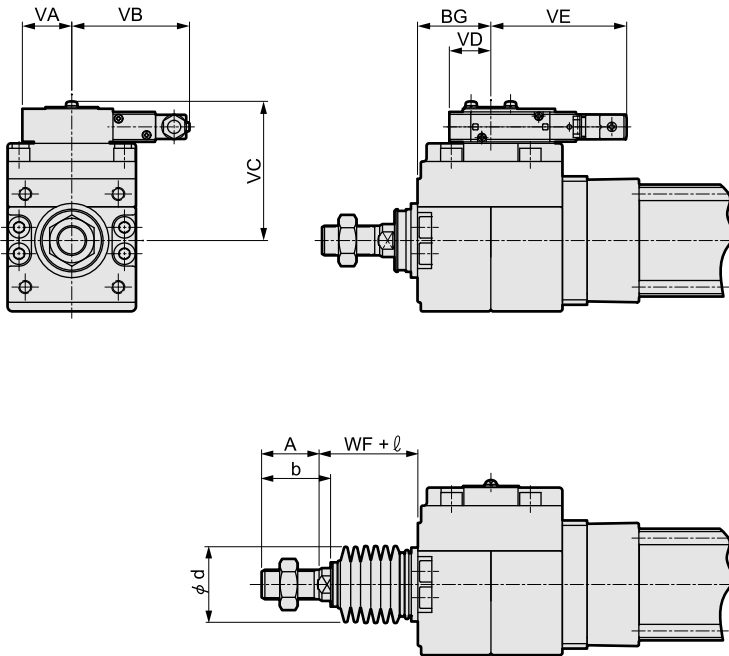
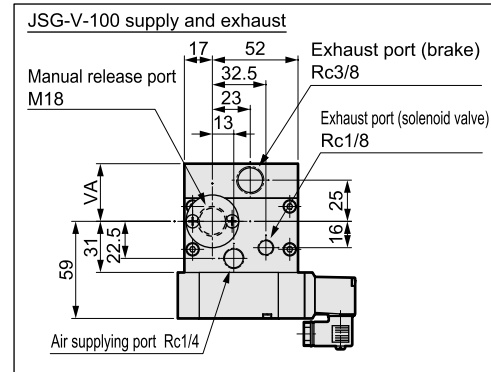
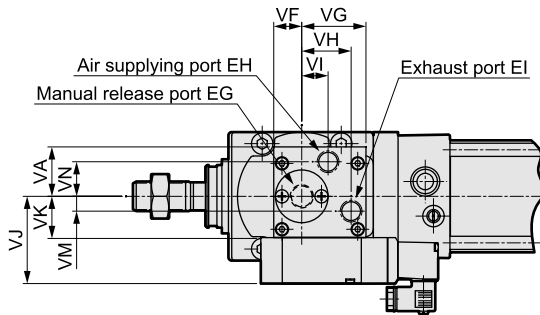
  

Symbol	With bellows							With switch											
	A	b	d	WF	ℓ				Note 1 GC	Note 1 GD	Note 1 RD	Note 1 HD	P						
Bore size (mm)					50 or less	50 to 100	100 to 150	150 to 200	200 to 300	300 to 400	400 to 500	500 to 600	600 to 700	700 to 750					
φ 40	30	35	40	21	30	43	55	68	93	118	143	-	-	-	1 (4)	1 (4)	5 (8)	5 (8)	29
φ 50	35	42	47	23	31	44	56	69	94	119	144	169	-	-	2.5 (6.5)	1 (5)	6.5 (10.5)	5 (9)	34
φ 63	35	42	47	23	31	44	56	69	94	119	144	169	-	-	2.5 (6.5)	1 (5)	6.5 (10.5)	5 (9)	40
φ 80	40	50	53	32	29	42	54	67	92	117	142	167	192	204	8.5 (13.5)	2 (7)	12.5 (17.5)	6 (11)	-
φ 100	40	52.5	61	32	29	42	54	67	92	117	142	167	192	204	8 (13)	2.5 (7.5)	12 (17)	6.5 (11.5)	-

### Dimensions



- JSG-V (with valve for brake release)



Note 1: The shape of the JSG-V-100 supply and exhaust port differs from other sizes.  
Refer to dimension drawing of the JSG-V-100 supply and exhaust port at the upper right.

Symbol	With valve for brake release (JSG-V) basic dimensions																
	BG	EG	EH	EI	VA	VB	VC	VD	VE	VF	VG	VH	VI	VJ	VK	VM	VN
φ 40	32.5	M12	Rc1/8	Rc1/8	26	62.5	72	24	83.5	19	38	30	12.5	44	16	4	16
φ 50	39	M12	Rc1/8	Rc1/8	26	62.5	79.5	24	83.5	19	38	30	12.5	44	16	4	16
φ 63	44.5	M14	Rc1/4	Rc1/4	30	71.5	84.5	25	82.5	17	39	30	16	53	25	9	21
φ 80	54.5	M16	Rc1/4	Rc1/4	30	71.5	98	25	82.5	17	39	30	16	53	25	9	21
φ 100	65.5	M18	Note 1		35	77.5	113	21	86.5	Note 1							

Symbol	With bellows													
	A	b	d	WF	φ									
Bore size (mm)					50 or less	50 to 100	100 to 150	150 to 200	200 to 300	300 to 400	400 to 500	500 to 600	600 to 700	700 to 750
φ 40	30	35	40	21	30	43	55	68	93	118	143	-	-	-
φ 50	35	42	47	23	31	44	56	69	94	119	144	169	-	-
φ 63	35	42	47	23	31	44	56	69	94	119	144	169	-	-
φ 80	40	50	53	32	29	42	54	67	92	117	142	167	192	204
φ 100	40	52.5	61	32	29	42	54	67	92	117	142	167	192	204

\* Dimensions other than those above are the same as the double-acting and single-rod type. Refer to pages 1272 to 1280.

- SCP\*2
- CMK2
- CMA2
- SCM
- SCG
- SCA2
- SCS
- CKV2
- CA/OV2
- SSD
- CAT
- MDC2
- MVC
- SMD2
- MSD\*
- FC\*
- STK
- ULK\*
- JSK/M2
- JSG**
- JSC3
- USSD
- USC
- JSB3
- LMB
- STG
- STS/L
- LCS
- LCG
- LCM
- LCT
- LCY
- STR2
- UCA2
- HCM
- HCA
- SRL2
- SRG
- SRM
- SRT
- MRL2
- MRG2
- SM-25
- CAC3
- UCAC
- RCC2
- MFC
- SHC
- GLC

Ending

Tie rod cylinder with brake  
With brake