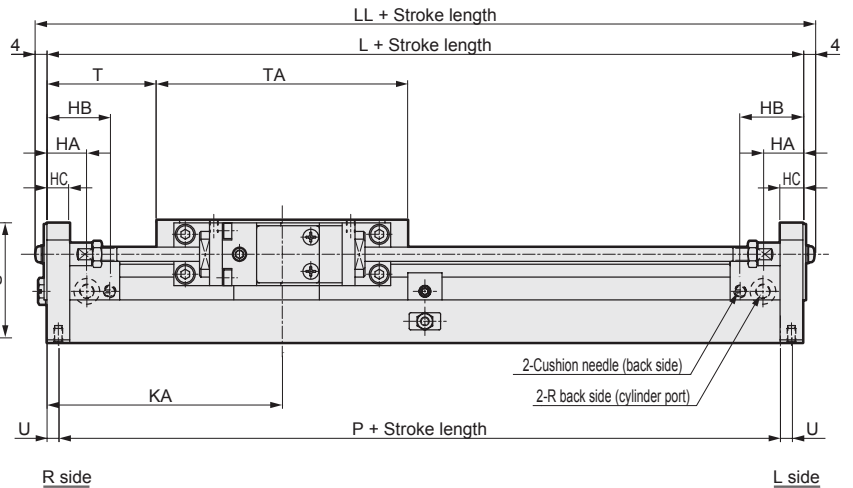
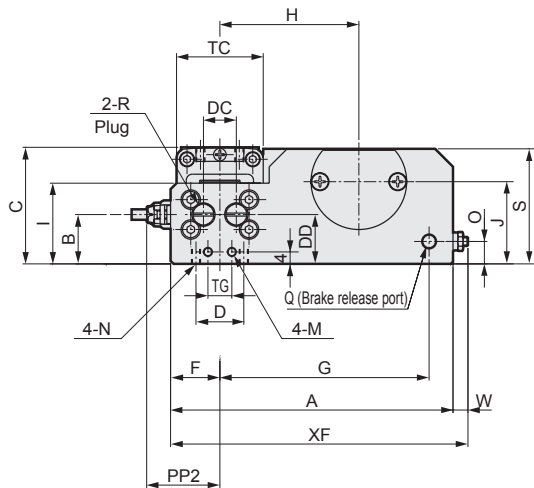
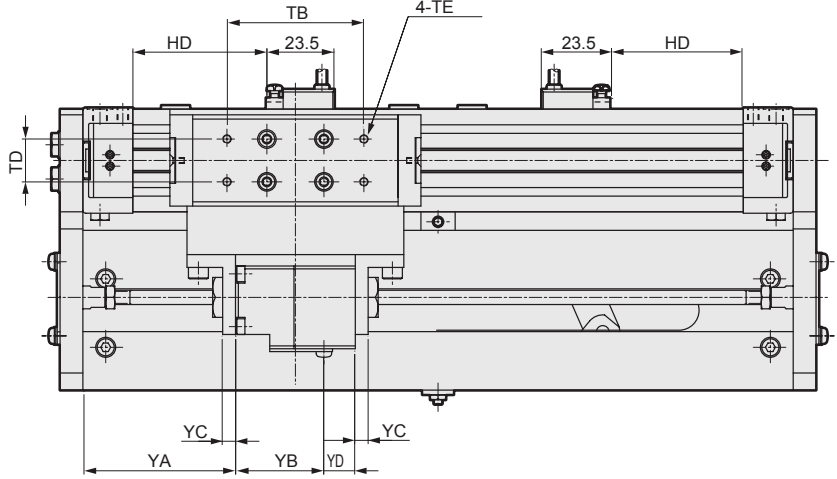




Dimensions (bore size $\varnothing 12$, $\varnothing 16$, mounting style: 00)

● SRT3-00-**-***-M*V* with cylinder switch (radial lead wire)

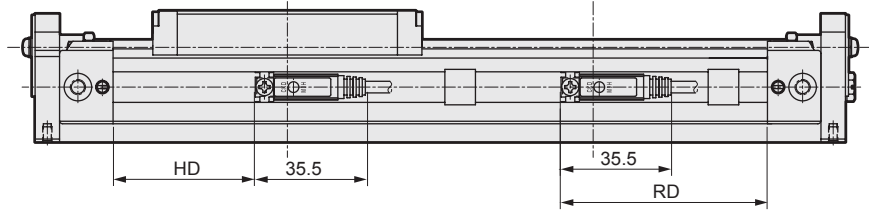
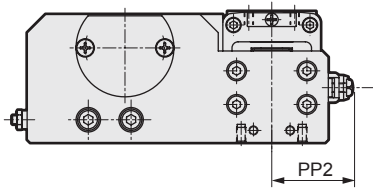


RD: Max. sensitive position HD: Max. sensitive position

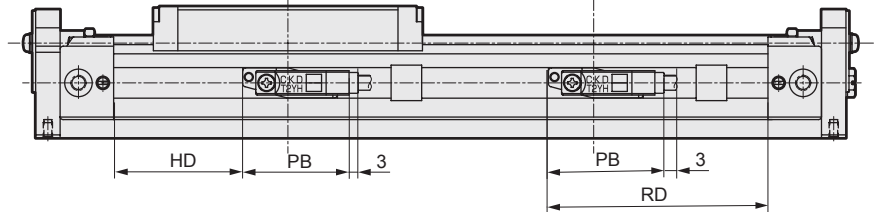
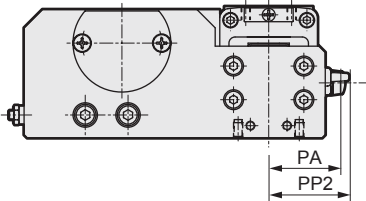
Symbol	A	B	C	D	DC	DD	F	G	H	HA	HB	HC	I	J	KA	L	LL	M	N	O	P	Q	R	S
Bore size (mm)																		M3 depth 5	M3 depth 5	7.5	144	M5	M5	38.5
$\varnothing 12$	94.5	16.5	39	16	11	16.5	16.5	70	46	14	22	8	27	27.5	76	152	160	M3 depth 5	M3 depth 5	7.5	144	M5	M5	38.5
$\varnothing 16$	98.5	18	43	20	12	18	18.5	72	48	14	22	8	30	31	82.5	165	173	M3 depth 5	M3 depth 5	7.5	157	M5	M5	42
Symbol	T	TA	TB	TC	TD	TE	TG	U	W	XF	YA	YB	YC	YD										
Bore size (mm)																								
$\varnothing 12$	35.5	81	42	29	13	M3 depth 5	8	4	5	99.5	47	34	4.5	8										
$\varnothing 16$	38.5	88	48	32	15	M3 depth 5	12	4	5	99.5	53.5	34	4.5	8										
Symbol	With switch																							
Bore size (mm)	HD			RD			PA	PB			PP2													
	M*	T*Y*	T*W	M*	T*Y*	T*W	PA	T*Y*	T2YD	T*W*	M*V	M*H	T*YV	T*YH	T2YD	T*WV	T*WH							
$\varnothing 12$	40.5	36	32	60.5	65	69	24.3	35	34	33.5	24.5	24.5	26	23	28.4	20.7	17.2							
$\varnothing 16$	47	42	38	67	72	76	26.3	35	34	33.5	26.5	26.5	28	25	30.4	22.7	19.2							

Dimensions (bore size $\varnothing 12$, $\varnothing 16$, mounting style: 00)

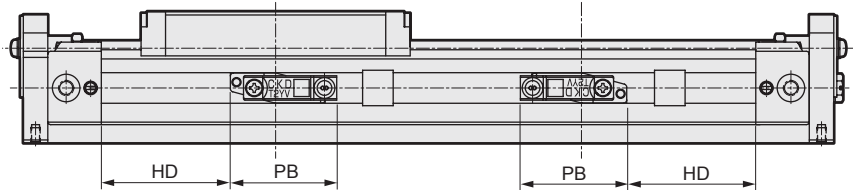
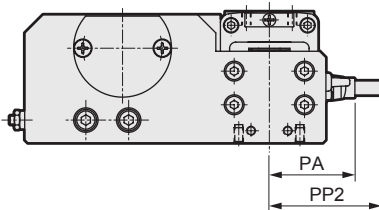
- SRT3-00-**-***-M*H* with cylinder switch (axial lead wire)



- SRT3-00-**-***-T*H with cylinder switch (T*W, T*Y or T2YD)



- SRT3-00-**-***-T*V with cylinder switch (T*W and T*Y)



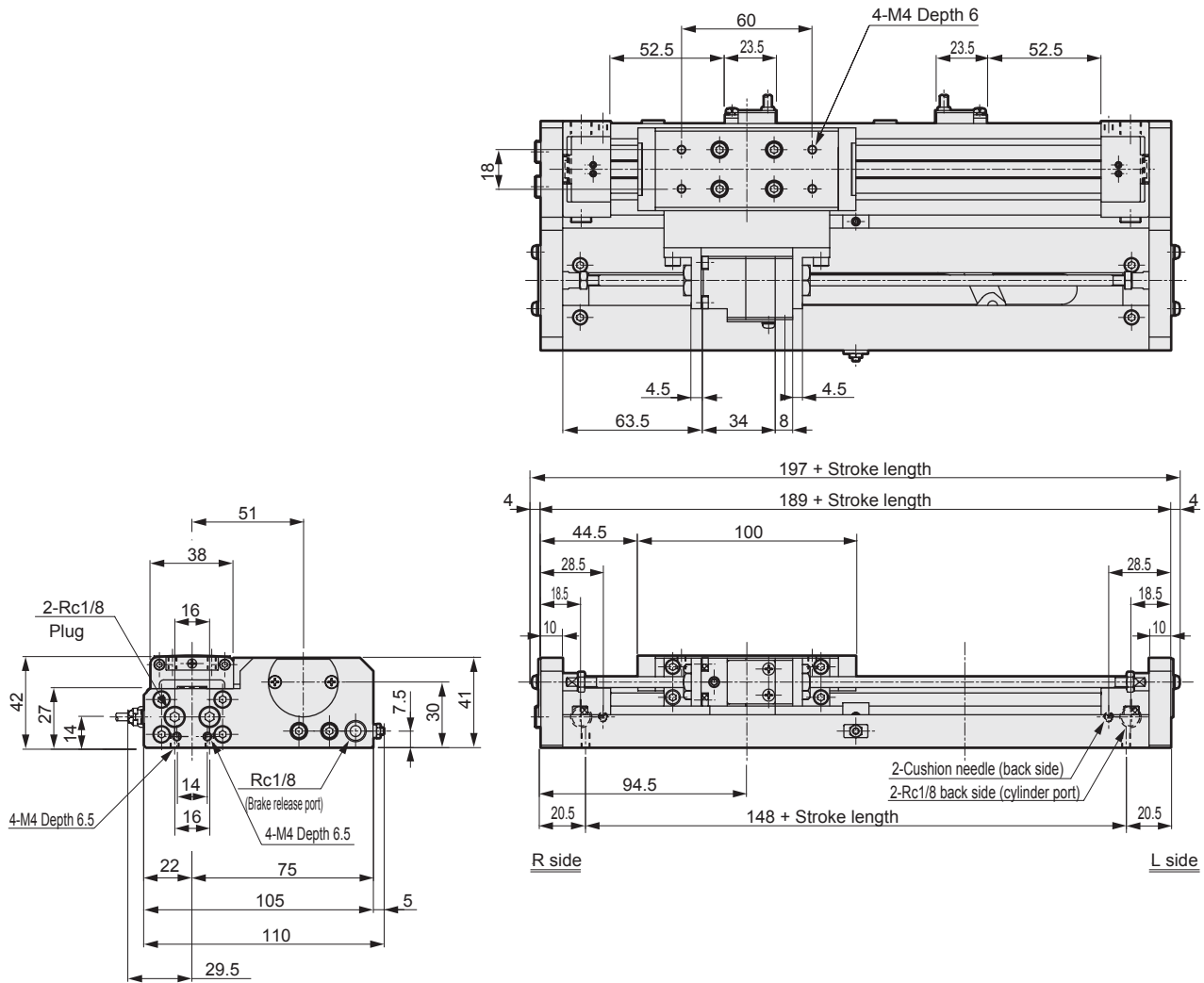
SCP*2
CMK2
CMA2
SCM
SCG
SCA2
SCS
CKV2
CA/OV2
SSD
CAT
MDC2
MVC
SMD2
MSD*
FC*
STK
ULK*
JSK/M2
JSG
JSC3
USSD
USC
JSB3
LMB
STG
STS L
LCS
LCG
LCM
LCT
LCY
STR2
UCA2
HCM
HCA
SRL3
SRG3
SRM3
SRT3
MRL2
MRG2
SM-25
CAC4
UCAC2
RCC2
MFC
SHC
GLC
Ending

Rodless type
Rodless cylinder with brake

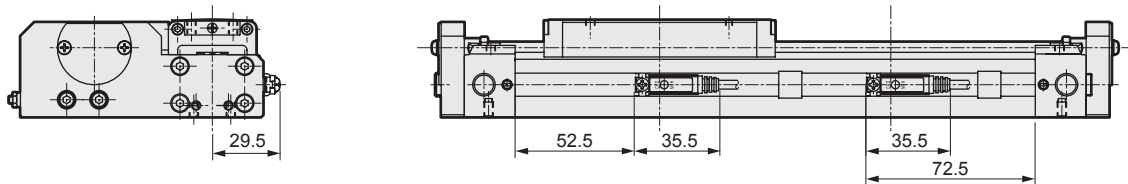
Dimensions (bore size $\varnothing 20$, mounting style: 00)

- SCP*2
- CMK2
- CMA2
- SCM
- SCG
- SCA2
- SCS
- CKV2
- CA/OV2
- SSD
- CAT
- MDC2
- MVC
- SMD2
- MSD*
- FC*
- STK
- ULK*
- JSK/M2
- JSG
- JSC3
- USSD
- USC
- JSB3
- LMB
- STG
- STS L
- LCS
- LCG
- LCM
- LCT
- LCY
- STR2
- UCA2
- HCM
- HCA
- SRL3
- SRG3
- SRM3
- SRT3**
- MRL2
- MRG2
- SM-25
- CAC4
- UCAC2
- RCC2
- MFC
- SHC
- GLC
- Ending

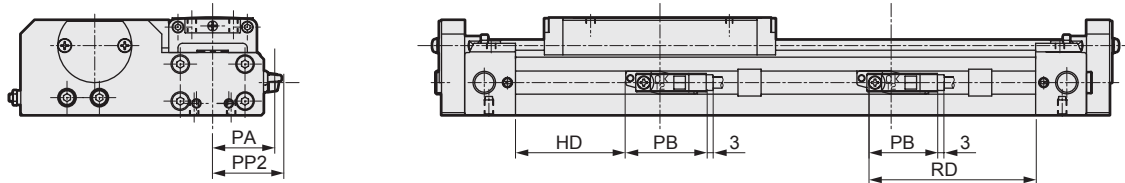
● SRT3-00-20-***-M*V* with cylinder switch (radial lead wire)



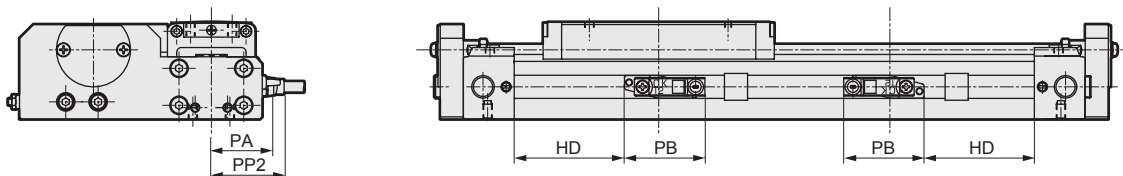
● SRT3-00-20-***-M*H* with cylinder switch (axial lead wire)



● SRT3-00-20-***-T*H* with cylinder switch (T*W, T*Y or T2YD)



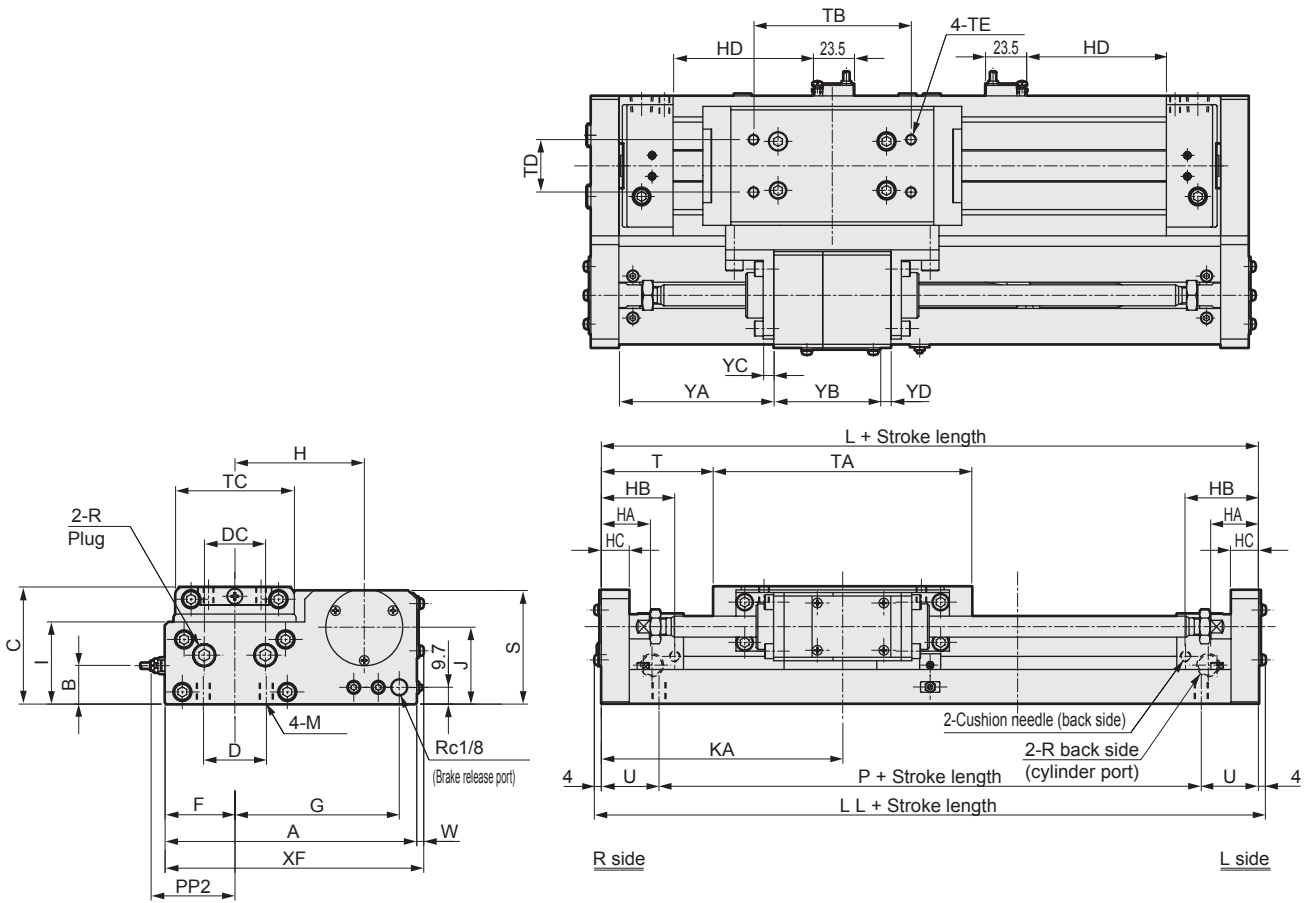
● SRT3-00-20-***-T*V* with cylinder switch (T*W and T*Y)





Dimensions (bore size: $\varnothing 32$ to $\varnothing 63$, mounting style: 00)

● SRT3-00-**-***-M*V*with cylinder switch (radial lead wire)



RD: Max. sensitive position HD: Max. sensitive position

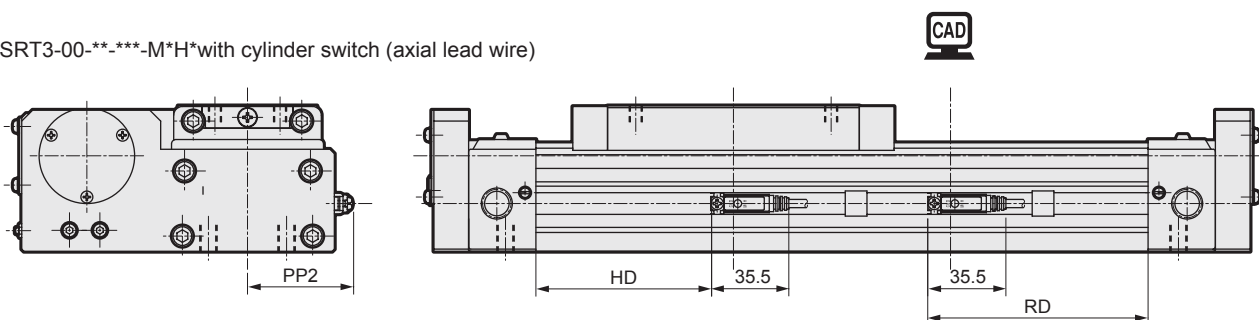
Symbol	A	B	C	D	DC	DD	F	G	H	HA	HB	HC	I	J	KA	L	LL	M	P	R	S	T
Bore size (mm)																						
$\varnothing 32$	129	18.5	57	32	27	21	33	86	66	24	37.5	14	39	39	127	254	262	M6 depth 9	196	Rc $1/4$	56	60
$\varnothing 40$	144	22	67	36	35	28	40	93	74	29	42	16	47	44	138	276	284	M8 depth 12	210	Rc $1/4$	65	64
$\varnothing 50$	177	28	82	45	35	35	48	101	89	33	51	18	57	52	147	294	302	M8 depth 12	212	Rc $3/8$	77	71
$\varnothing 63$	209	35	95	50	39	42	59	112	105	35	52	20	68	58	168	336	344	M10 depth 15	258	Rc $3/8$	93	84

Symbol	TA	TB	TC	TD	TE	U	W	XF	YA	YB	YC	YD
Bore size (mm)												
$\varnothing 32$	134	80	56	20	M6 depth 9	29	4	133	78.5	61	6	8
$\varnothing 40$	148	90	68	30	M6 depth 11	33	4	148	88.5	61	6	6
$\varnothing 50$	152	100	80	30	M8 depth 13	41	4	181	92.5	65	8	8
$\varnothing 63$	168	110	102	40	M8 depth 13	39	1	210	98.5	89	9	10

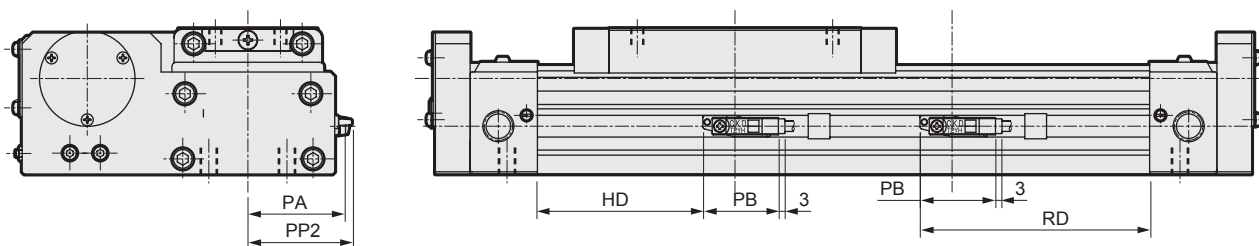
Symbol	With switch																
	HD			RD			PA	PB			PP2						
	M*	T*Y*	T*W	M*	T*Y*	T*W		T*Y*	T2YD	T*W*	M*V	M*H	T*YV	T*YH	T2YD	T*WV	T*WH
$\varnothing 32$	74	70	66	96	100	104	41.3	35	34	33.5	41.5	41.5	43	40	45.4	37.7	34.2
$\varnothing 40$	80	76	72	102	106	110	48.3	35	34	33.5	48.5	48.5	50	47	52.4	44.7	41.2
$\varnothing 50$	79	75	71	101	105	109	56.3	35	34	33.5	56.5	56.5	58	55	60.4	52.7	49.2
$\varnothing 63$	98	94	90	120	124	128	67.3	35	34	33.5	67.5	67.5	69	66	71.4	63.7	60.2

Dimensions (bore size $\varnothing 32$ to $\varnothing 63$, mounting style: 00)

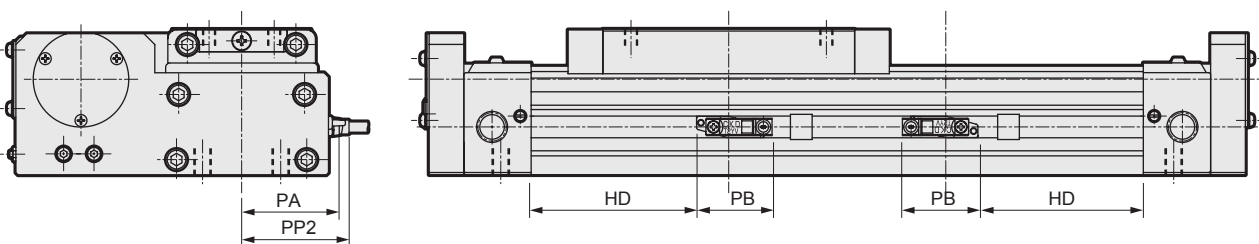
- SRT3-00-**-***-M*H* with cylinder switch (axial lead wire)



- SRT3-00-**-***-T*H with cylinder switch (T*W, T*Y or T2YD)



- SRT3-00-**-***-T*V with cylinder switch (T*W and T*Y)



SCP*2
CMK2
CMA2
SCM
SCG
SCA2
SCS
CKV2
CA/OV2
SSD
CAT
MDC2
MVC
SMD2
MSD*
FC*
STK
ULK*
JSK/M2
JSG
JSC3
USSD
USC
JSB3
LMB
STG
STS L
LCS
LCG
LCM
LCT
LCY
STR2
UCA2
HCM
HCA
SRL3
SRG3
SRM3
SRT3
MRL2
MRG2
SM-25
CAC4
UCAC2
RCC2
MFC
SHC
GLC
Ending

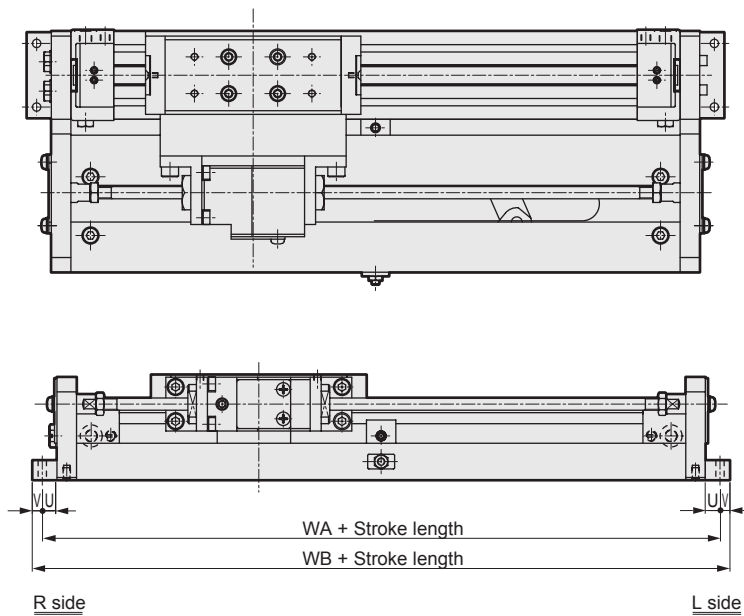
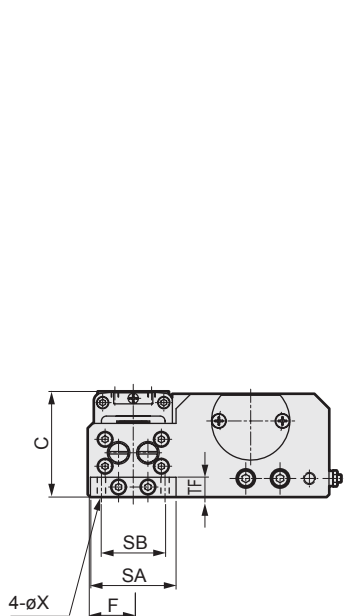
Rodless type
Rodless cylinder with brake



Dimensions (bore size: $\varnothing 12$, $\varnothing 16$, mounting style: LB)

● SRT3-LB-**-***with foot bracket

- SCP*2
- CMK2
- CMA2
- SCM
- SCG
- SCA2
- SCS
- CKV2
- CA/OV2
- SSD
- CAT
- MDC2
- MVC
- SMD2
- MSD*
- FC*
- STK
- ULK*
- JSK/M2
- JSG
- JSC3
- USSD
- USC
- JSB3
- LMB
- STG
- STS L
- LCS
- LCG
- LCM
- LCT
- LCY
- STR2
- UCA2
- HCM
- HCA
- SRL3
- SRG3
- SRM3
- SRT3**
- MRL2
- MRG2
- SM-25
- CAC4
- UCAC2
- RCC2
- MFC
- SHC
- GLC
- Ending



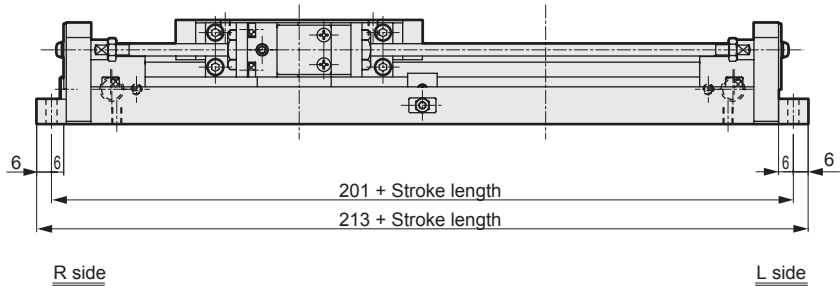
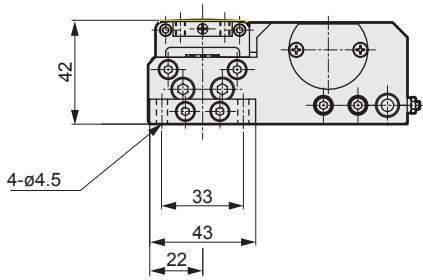
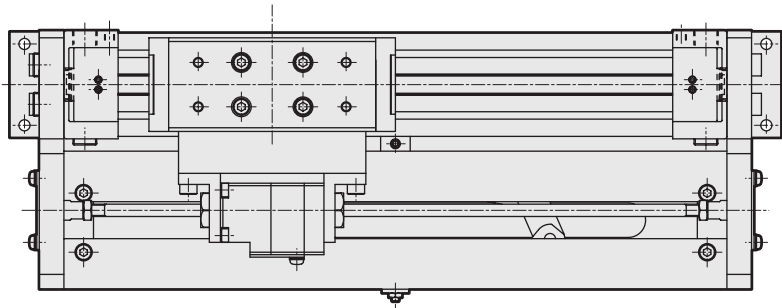
Symbol	C	F	How to install the product							
			SA	SB	TF	U	V	X	WA	WB
$\varnothing 12$	39	16.5	32	24	8	6	4	3.4	164	172
$\varnothing 16$	43	18.5	35	26	8	6	4	3.4	177	185

Dimensions (bore size: $\varnothing 20$, mounting style: LB)

● SRT3-LB-20-***with foot bracket

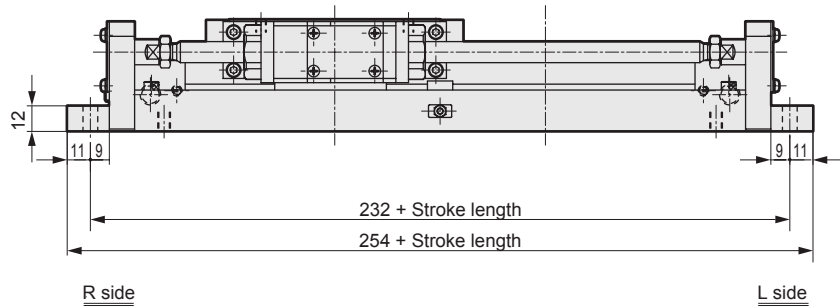
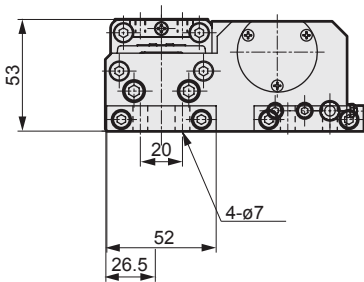
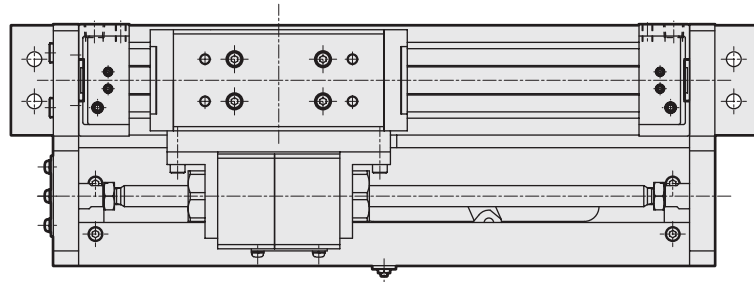


SCP*2
CMK2
CMA2
SCM
SCG
SCA2
SCS
CKV2
CA/OV2
SSD
CAT
MDC2
MVC
SMD2
MSD*
FC*
STK
ULK*
JSK/M2
JSG
JSC3
USSD
USC
JSB3
LMB
STG
STS L
LCS
LCG
LCM
LCT
LCY
STR2
UCA2
HCM
HCA
SRL3
SRG3
SRM3
SRT3
MRL2
MRG2
SM-25
CAC4
UCAC2
RCC2
MFC
SHC
GLC
Ending



Dimensions (bore size: $\varnothing 25$, mounting style: LB)

● SRT3-LB-25-***with foot bracket



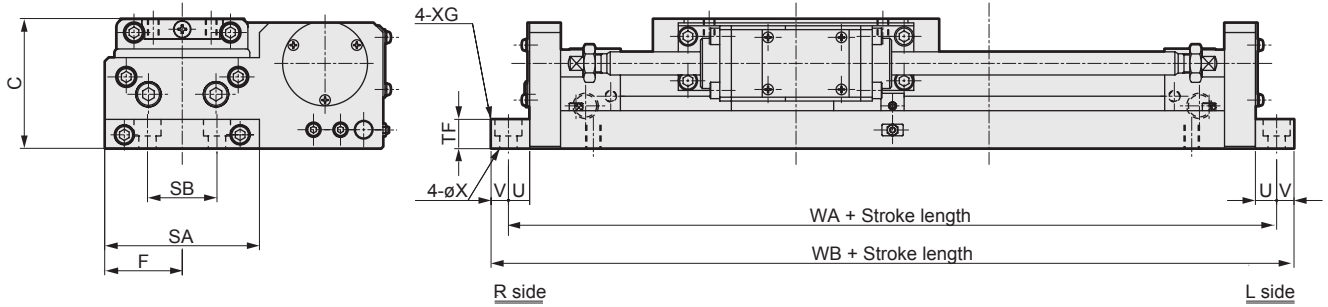
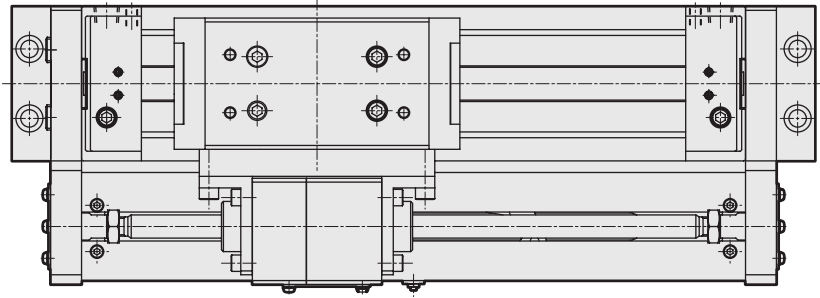
SCP*2
CMK2
CMA2
SCM
SCG
SCA2
SCS
CKV2
CA/OV2
SSD
CAT
MDC2
MVC
SMD2
MSD*
FC*
STK
ULK*
JSK/M2
JSG
JSC3
USSD
USC
JSB3
LMB
STG
STS L
LCS
LCG
LCM
LCT
LCY
STR2
UCA2
HCM
HCA
SRL3
SRG3
SRM3
SRT3
MRL2
MRG2
SM-25
CAC4
UCAC2
RCC2
MFC
SHC
GLC
Ending

Rodless type
Rodless cylinder with brake



Dimensions (bore size $\varnothing 32$ to $\varnothing 63$, mounting style: LB)

● SRT3-LB-**-***with foot bracket



- SCP*2
- CMK2
- CMA2
- SCM
- SCG
- SCA2
- SCS
- CKV2
- CA/OV2
- SSD
- CAT
- MDC2
- MVC
- SMD2
- MSD*
- FC*
- STK
- ULK*
- JSK/M2
- JSG
- JSC3
- USSD
- USC
- JSB3
- LMB
- STG
- STS L
- LCS
- LCG
- LCM
- LCT
- LCY
- STR2
- UCA2
- HCM
- HCA
- SRL3
- SRG3
- SRM3
- SRT3**
- MRL2
- MRG2
- SM-25
- CAC4
- UCAC2
- RCC2
- MFC
- SHC
- GLC
- Ending

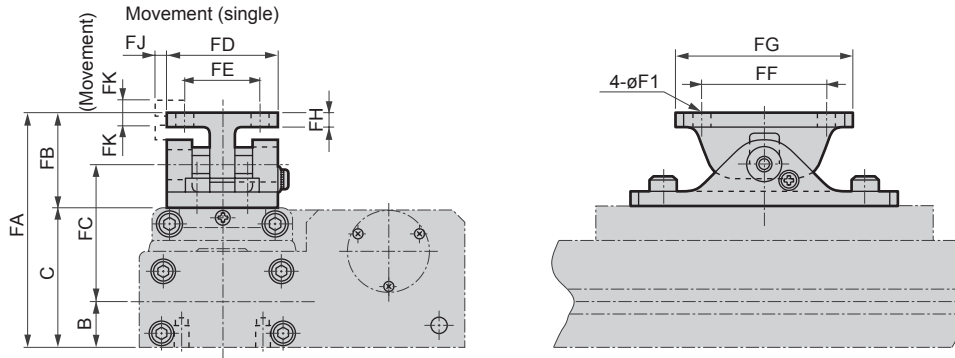
RD: Max. sensitive position HD: Max. sensitive position

Symbol Bore size (mm)	C	F	How to install the product								
			SA	SB	TF	U	V	WA	WB	X	XG
$\varnothing 32$	57	33	64	32	12	9	11	272	294	7	—
$\varnothing 40$	67	40	80	36	15	11	9	298	316	9	14 spot face depth 8.6
$\varnothing 50$	82	48	94	45	20	11	9	316	334	9	14 spot face depth 8.6
$\varnothing 63$	95	59	116	50	25	13	12	362	386	11	17.5 spot face depth 10.8

Dimensions: Option

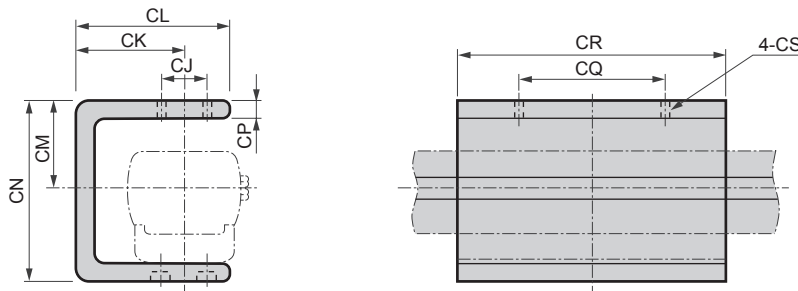


● Floating joint



Symbol	FA	FB	FC	FD	FE	FF	FG	FH	FI	FJ	FK	B	C
Bore size (mm)													
ø12	54	21	31.5	24	16	30	40	3	3.4	3	3	10.5	33
ø16	58	21	34	24	16	30	40	3	3.4	3	3	12	37
ø20	67	25	39	30	20	40	56	4	4.5	3	3	14	42
ø25	78	25	47	30	20	40	56	4	6	3	3	17	53
ø32	95	38	55.5	45	30	50	70	6	7	5	5	18.5	57
ø40	105	38	62	45	30	50	70	6	7	5	5	22	67
ø50	126	44	73	60	40	70	90	8	9	5	5	28	82
ø63	139	44	79	60	40	70	90	8	9	5	5	35	95

● C mount bracket



Symbol	CJ	CK	CL	CM	CN	CP	CQ	CR	CS
Bore size (mm)									
ø12 <small>Note 1</small>	13	27	40	22.5	50	5	42	81	M3
ø16 <small>Note 1</small>	15	35.5	50	29	60	6	48	88	M3
ø20 <small>Note 1</small>	18	32.5	50	26	60	6	60	100	M4
ø25	20	45	69	28	71	5	70	116	M5
ø32	20	54	81.5	33.5	80	7	80	128	M6
ø40	30	63	95.5	38	91.5	8	90	138	M6
ø50	30	74	113	48	112.5	10	100	142	M8
ø63	40	88	138	58	131	13	110	158	M8

Note 1: Can not be used with switch.

- SCP*2
- CMK2
- CMA2
- SCM
- SCG
- SCA2
- SCS
- CKV2
- CA/OV2
- SSD
- CAT
- MDC2
- MVC
- SMD2
- MSD*
- FC*
- STK
- ULK*
- JSK/M2
- JSG
- JSC3
- USSD
- USC
- JSB3
- LMB
- STG
- STS L
- LCS
- LCG
- LCM
- LCT
- LCY
- STR2
- UCA2
- HCM
- HCA
- SRL3
- SRG3
- SRM3
- SRT3**
- MRL2
- MRG2
- SM-25
- CAC4
- UCAC2
- RCC2
- MFC
- SHC
- GLC
- Ending