

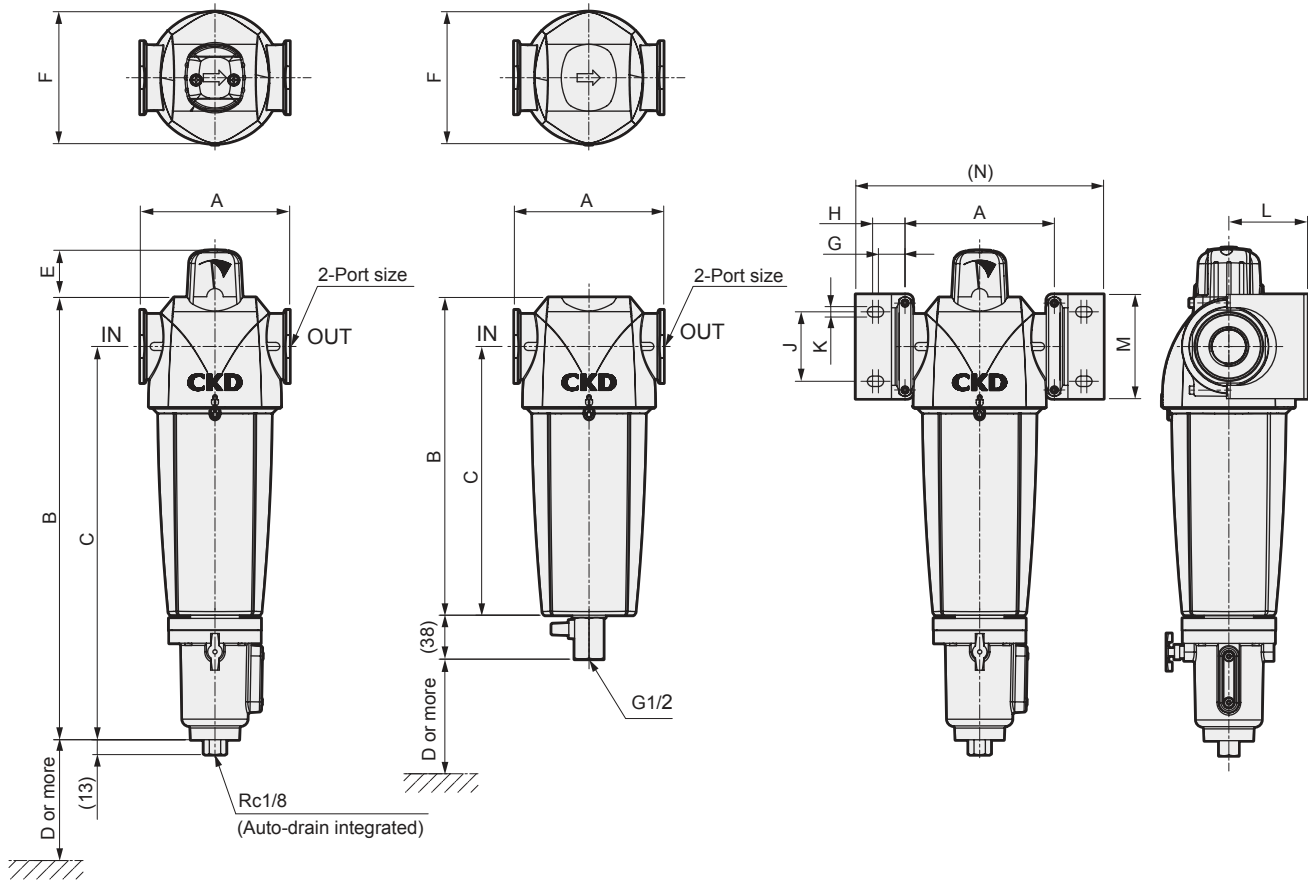
AF2000 Series



Dimensions

● AF2004P/M to AF2026P/M

● AF2004X to AF2026X



Model No.	Port size	A	B	C	D	E	F	G	H	J	K	L	M	N
AF2004P/M-25	Rc1	129	383	340	70	43	114	23	28	60	9	68	90	214
AF2004X-25	Rc1	129	274	232	70	-	114	23	28	60	9	68	90	214
AF2007P/M-40	Rc1 1/2	129	473	430	70	43	114	23	28	60	9	68	90	214
AF2007X-40	Rc1 1/2	129	364	322	70	-	114	23	28	60	9	68	90	214
AF2010P/M-40	Rc1 1/2	170	541	491	100	46	155	32	39	84	11	92	120	291
AF2010X-40	Rc1 1/2	170	433	383	100	-	155	32	39	84	11	92	120	291
AF2013P/M-50	Rc2	170	633	583	100	46	155	32	39	84	11	92	120	291
AF2013X-50	Rc2	170	525	475	100	-	155	32	39	84	11	92	120	291
AF2020P/M-50	Rc2	170	633	583	100	46	155	32	39	84	11	92	120	291
AF2020X-50	Rc2	170	525	475	100	-	155	32	39	84	11	92	120	291
AF2026P/M-65	Rc2 1/2	205	750	690	120	49	180	35.5	42.5	100	11	135	150	332
AF2026X-65	Rc2 1/2	205	642	582	120	-	180	35.5	42.5	100	11	135	150	332

The X type does not have a differential pressure indicator.

The D dimension shows the min. dimension required to remove the element. Allow for the auto-drain piping dimensions when actually laying the pipe.