



Teaching pendant

ETP2

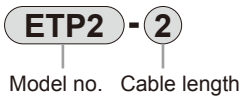
- Common controller for EC07/EC63



Features

- Easy teaching
- No dedicated power supply required
- Can be used with conventional models Available to use in the same way for EC controller

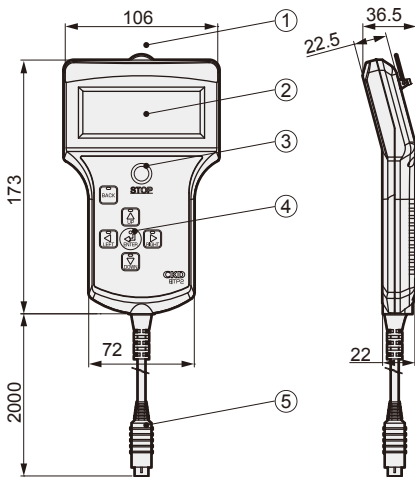
How to order



Specifications

Descriptions	ETP2
Indicator	20 character × 4 line (LCD)
Input keys	7 keys (Stop key: 1, operation key: 6)
Cable length	2m
Connecting controller	EC07, EC63
Applicable actuator	ERL2/ESD2 Series
Ambient temperature	0 to 40°C no freezing
Ambient humidity	35~80%CRH (with no dew condensation)
Storage ambient temperature	-10 to 50°C no freezing
Storage ambient humidity	35~80%CRH (with no dew condensation)
Atmosphere	Free of corrosive and explosive gases and dust
Degree of protection	IEC standards IP40 or equivalent
Weight	Approx. 140g (excluding cable)

Dimensions and name/ functions of each section



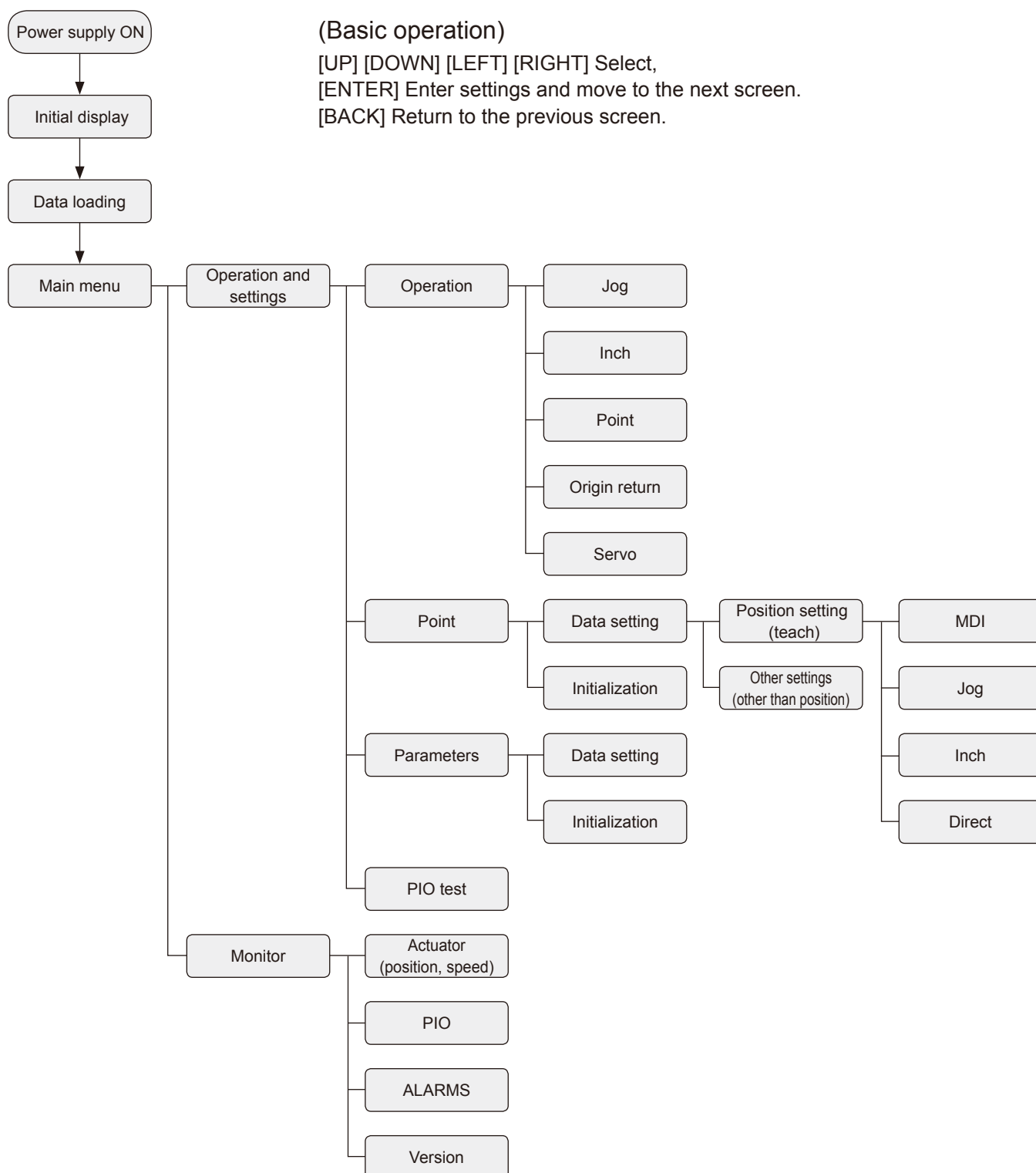
No	Name	Function
①	Hook	Hook for suspending product.
②	LCD	20 character × 4 line display.
③	Stop key [STOP]	Used to stop an actuator.
④	[UP]	Use for various operations. LED of operable key is lit.
	[DOWN]	
	[LEFT]	
	[RIGHT]	
	[BACK]	
	[ENTER]	
⑤	Connector	Connect to the controller.

Function list

Main	Menu				Descriptions
	Sub-1	Sub-2	Sub-3	Sub-4	
Operation and settings	Operation	Jog			Sets speed, and performs jog operation.
		Inch			Sets speed and pitch and performs inching operation.
		Point			Select the point number, and move the point.
		Origin return			Carry out origin return.
		Servo			Turns the servo ON or OFF.
	Point	Data setting	Position setting (teach)	MDI	Set the point data (position) with key input.
				Jog	Set the point data (position) with jog input.
				Inch	Set the point data (position) with inching input.
				Direct	Set the point data (position) with actual machine position.
			Other settings (other than position)		Set the point data (width of positioning, mode, speed, acceleration, deceleration, pushing down current, pressing down speed, and pressing down distance).
Data initialization				Resets point data to default.	
Parameters	Data setting			Set parameter data.	
	Data initialization			Resets parameter data to default.	
PIO test					Displays the input signals, and ON/OFF the output signals mandatorily.
Monitor	Actuator (position, speed)				Displays the current position and speed.
	PIO				Displays the input/output signal for I/O connector.
	ALARMS				Display current alarm and past 10 alarms.
	Version				Displays version for teaching pendant and controller.

Operation diagram

The following is the structure of the operation using the teaching pendant.



Refer to the instruction manual for details.