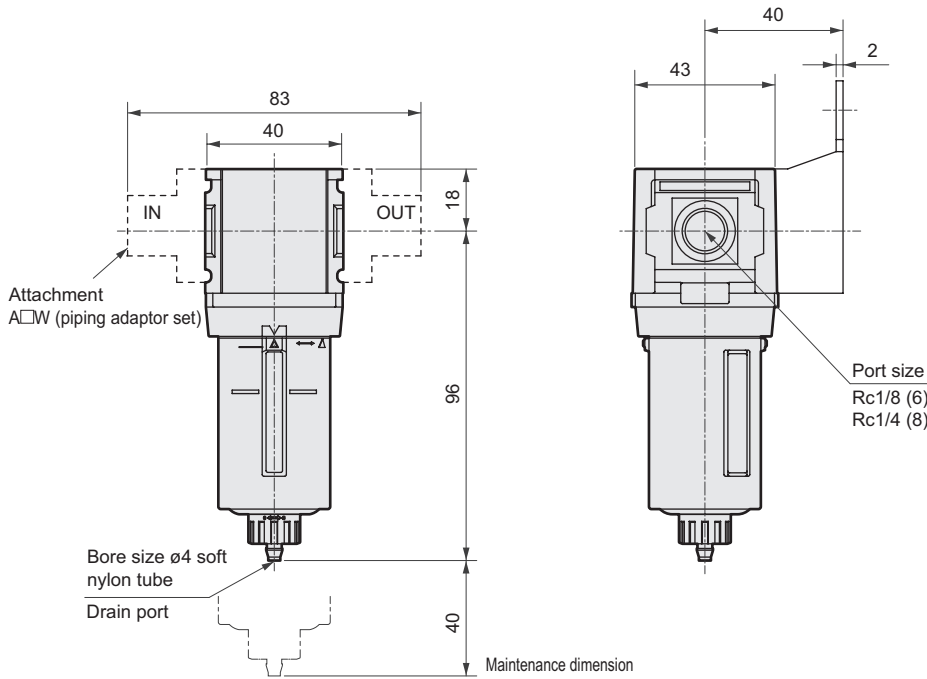


Air Filter Series

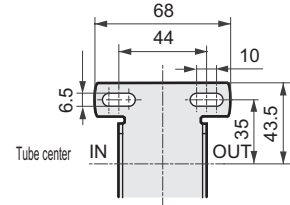
Dimensions



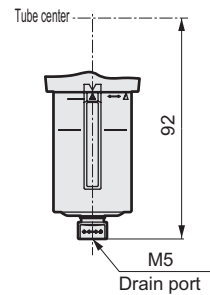
● F1000-W



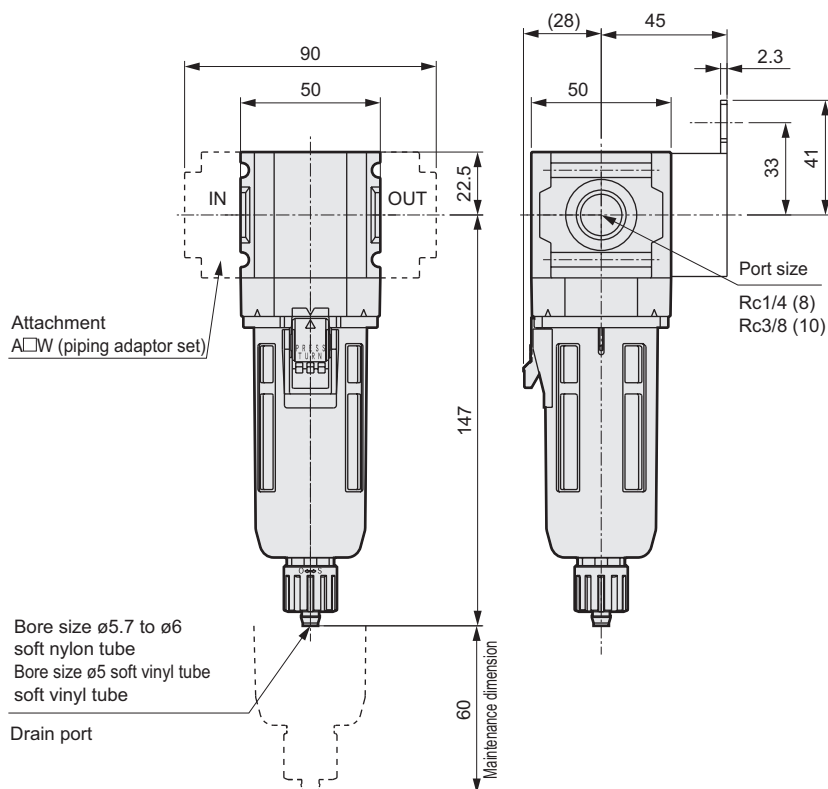
• Attachment
C type bracket (-BW)
Part model no.: B120



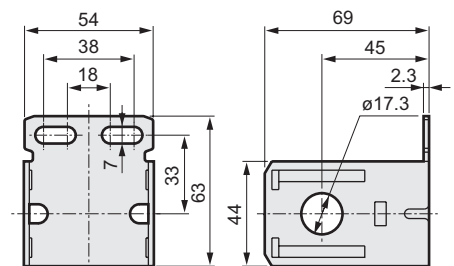
• Option dimensions
With automatic drain (F1)



● F2000-W



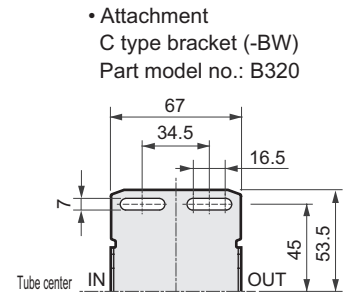
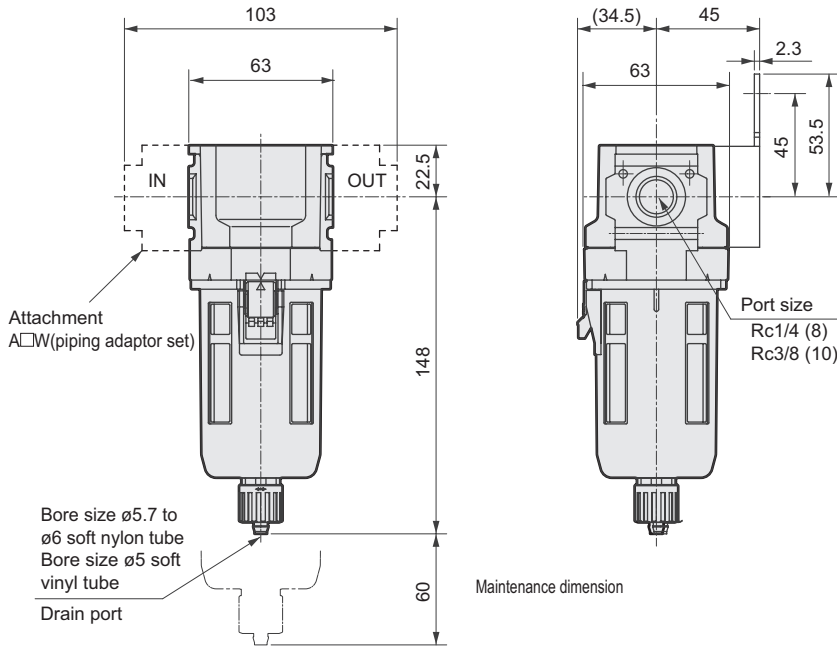
• Attachment
C type bracket (-BW)
Part model no.: B220



Dimensions



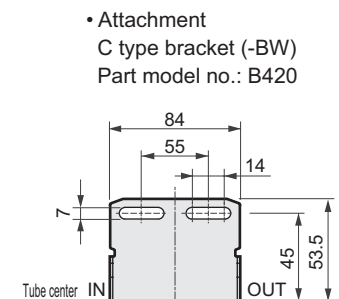
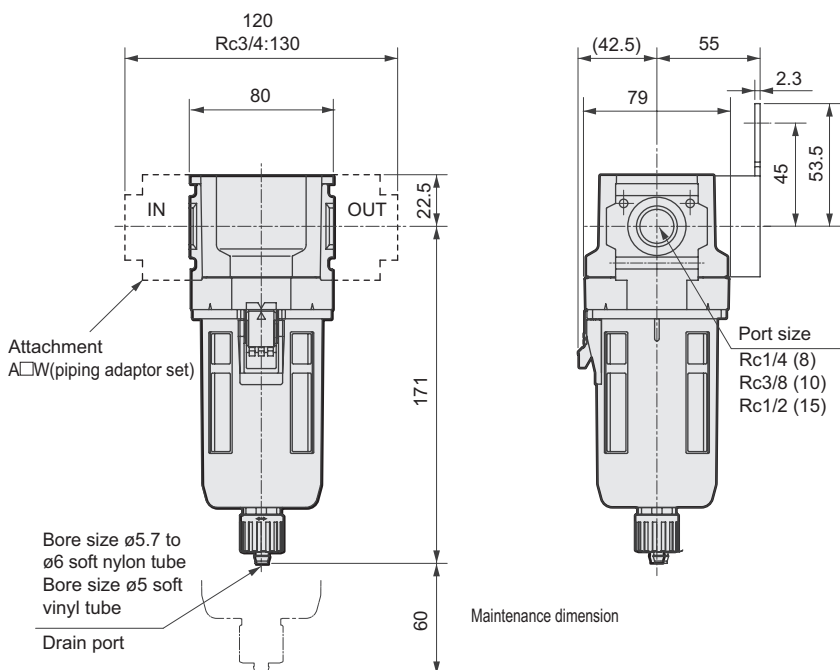
● F3000-W



● For the plastic bowl, the dimensions of the manual cock and the automatic drain are same.

Note: The C-type bracket and piping adaptor set attachments cannot be used at the same time.

● F4000-W



● For the plastic bowl, the dimensions of the manual cock and the automatic drain are same.

Refrigerating type dryer
Desiccant type dryer
High polymer membrane type dryer
Air filter
Auto. drain / others
F.R.L. (Module unit)
F.R.L. (Separate)
Compact F.R.
Precise regulator
F.R.L. (Related products)
Clean F.R.
Electro pneumatic regulator
Air booster
Speed control valve
Silencer
Check valve / others
Joint / tube
Vacuum filter
Vacuum regulator
Suction plate
Magnetic spring buffer
Mechanical pressure SW
Electronic pressure SW
Contact / close contact cont. SW
Air sensor
Pressure SW for coolant
Small flow sensor
Small flow controller
Flow sensor for air
Flow sensor for water
Total air system
Total air system (Gamma)
Ending

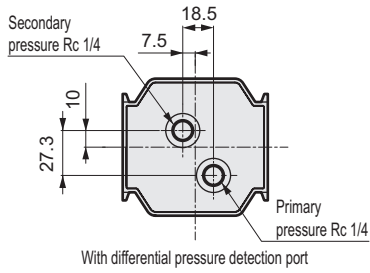
Standard series
F.R.L. unit

Air Filter Series

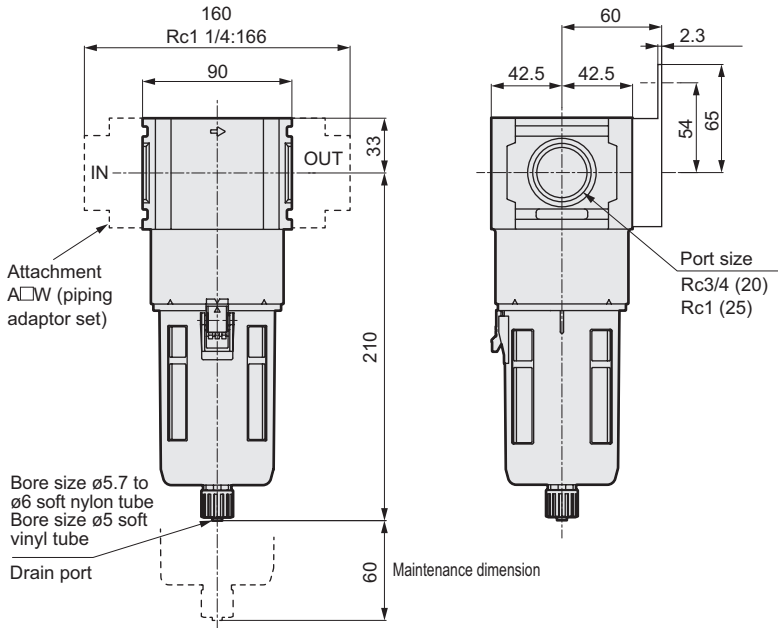
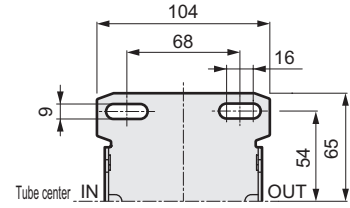
Dimensions



● F6000-W

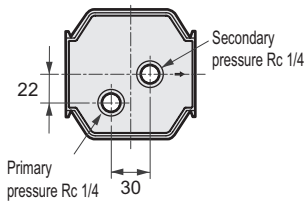


• Attachment
C type bracket (-BW)
Part model no.: B620

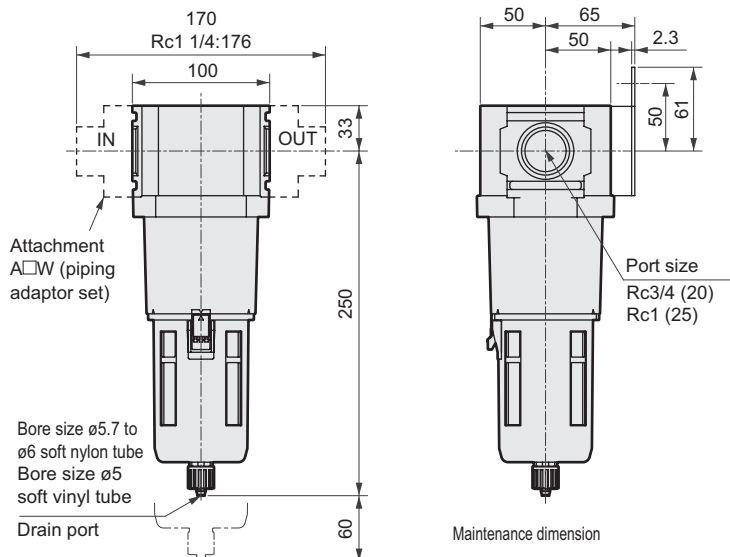
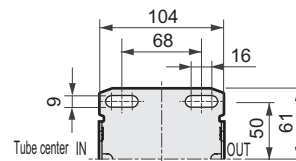


● F8000-W

With differential pressure detection port (Q)



• Attachment
C type bracket (-BW)
Part model no.: B820



● For the plastic bowl, the dimensions of the manual cock and the automatic drain are same.

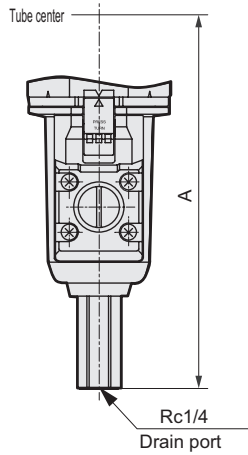
Note: The C-type bracket and piping adaptor set attachments cannot be used at the same time.

Optional dimensions

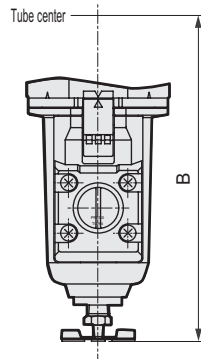


- Metal bowl F2000-W/F3000-W/F4000-W/F6000-W/F8000-W(option)

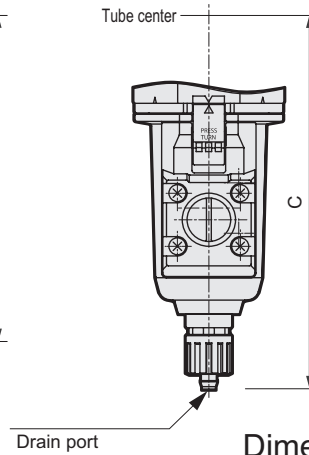
Metal manual cock with automatic drain (F1M)



With petcock (M)



Standard manual drain cock (M1)



Dimensions

Model no.	F1M	M	M1
	A	B	C
F2000-W	-	-	147
F3000-W	164	143.5	154
F4000-W	187	166.5	177
F6000-W	226	205	216
F8000-W	266	245.5	256

- Refrigerating type dryer
- Desiccant type dryer
- High polymer membrane type dryer
- Air filter
- Auto. drain / others
- F.R.L. (Module unit)**
- F.R.L. (Separate)
- Compact F.R.
- Precise regulator
- F.R.L. (Related products)
- Clean F.R.
- Electro pneumatic regulator
- Air booster
- Speed control valve
- Silencer
- Check valve / others
- Joint / tube
- Vacuum filter
- Vacuum regulator
- Suction plate
- Magnetic spring buffer
- Mechanical pressure SW
- Electronic pressure SW
- Contact / close contact cont. SW
- Air sensor
- Pressure SW for coolant
- Small flow sensor
- Small flow controller
- Flow sensor for air
- Flow sensor for water
- Total air system
- Total air system (Gamma)
- Ending

Standard series
F.R.L. unit