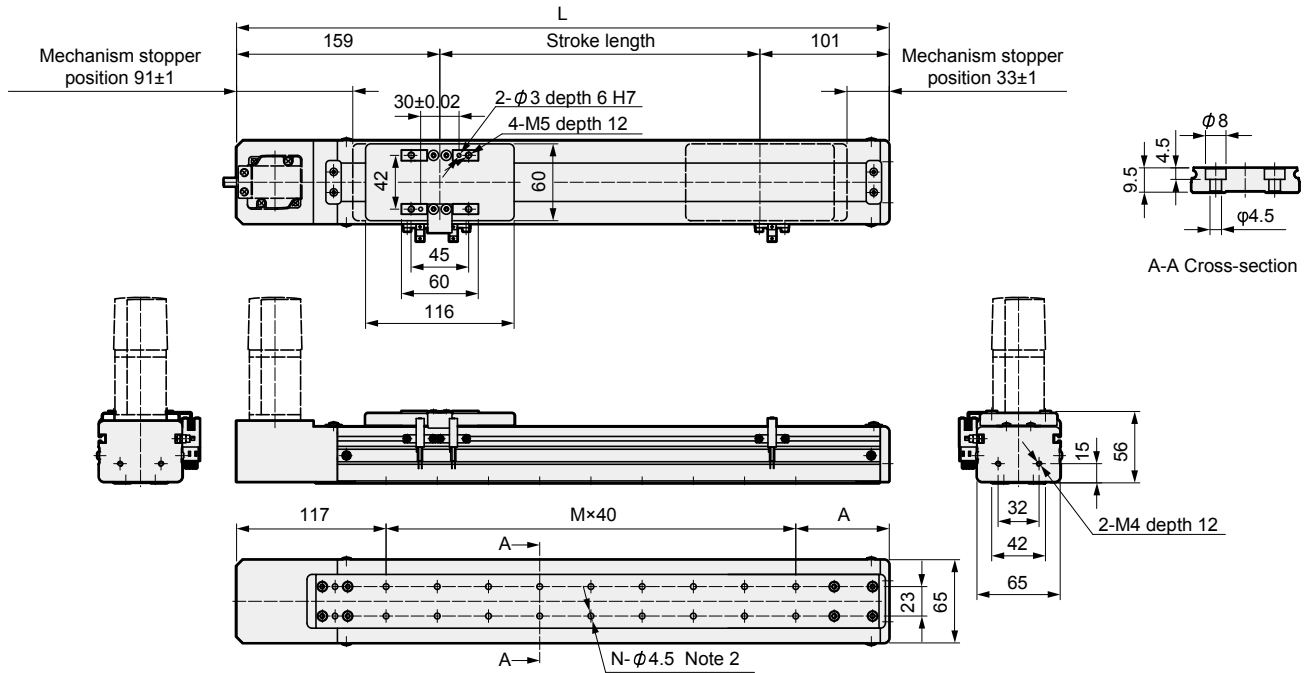


## Dimensions (ETV-06)

- ETV-06-\*\*-U (Motor installation methods: Upper installation)

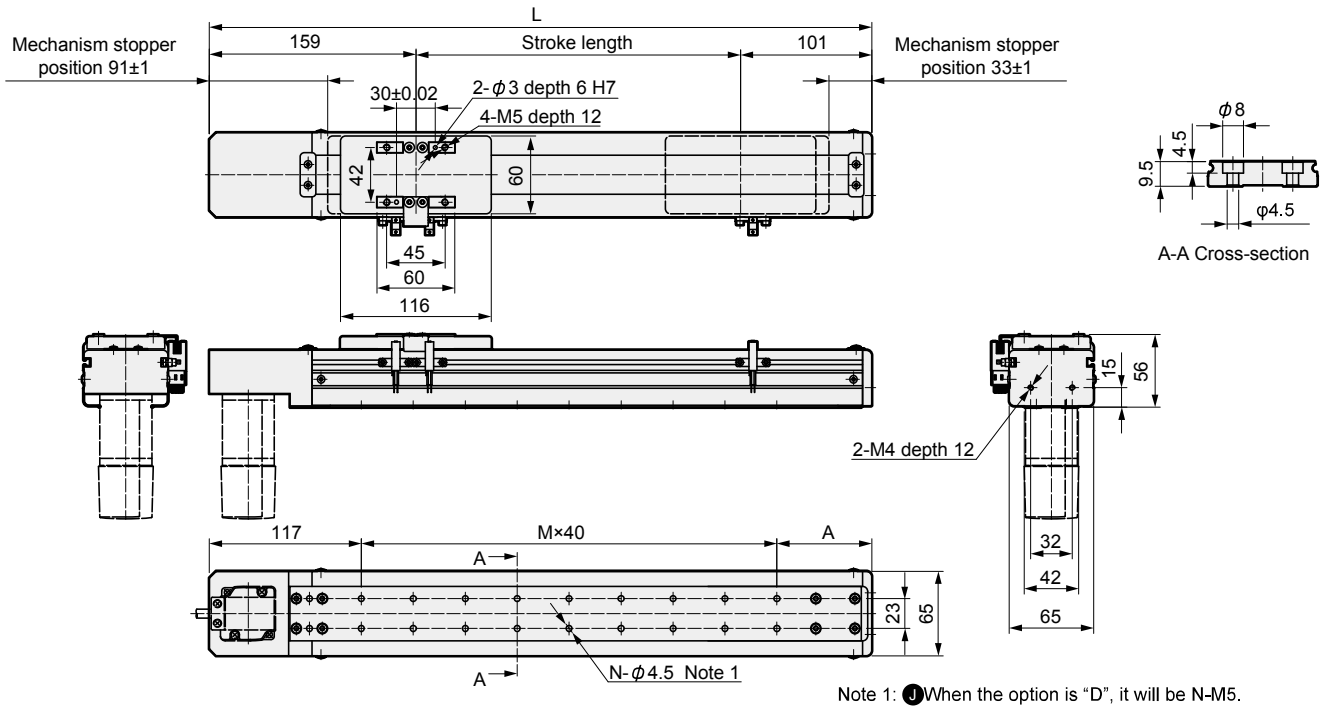


Note 1: Refer to page 8 for motor installation part dimensions.  
 Note 2: **!** When the option is "D", it will be N-M5.

Stroke length (mm)	100	150	200	250	300	350	400	450	500	550	600	650	700	750	800
L	360	410	460	510	560	610	660	710	760	810	860	910	960	1010	1060
A	83	93	63	73	83	93	63	73	83	93	63	73	83	93	63
M	4	5	7	8	9	10	12	13	14	15	17	18	19	20	22
N	10	12	16	18	20	22	26	28	30	32	36	38	40	42	46
Weight (kg)	2.5	2.6	2.8	3.0	3.3	3.4	3.5	3.7	3.9	4.1	4.2	4.4	4.6	4.8	4.9

## Dimensions (ETV-06)

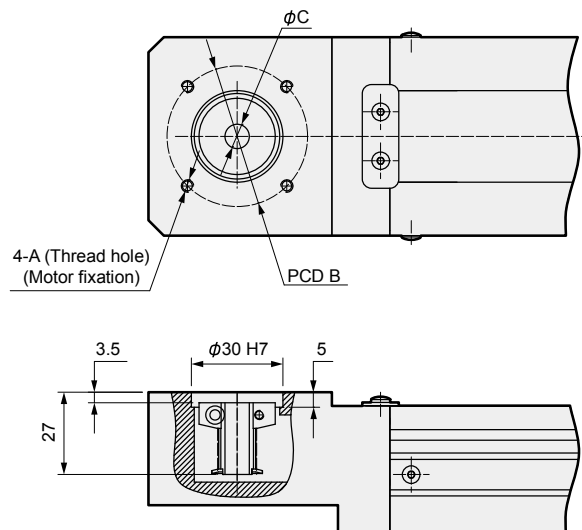
- ETV-06-\*\*-D (Motor installation methods: Lower installation)



Stroke length (mm)	100	150	200	250	300	350	400	450	500	550	600	650	700	750	800
L	360	410	460	510	560	610	660	710	760	810	860	910	960	1010	1060
A	83	93	63	73	83	93	63	73	83	93	63	73	83	93	63
M	4	5	7	8	9	10	12	13	14	15	17	18	19	20	22
N	10	12	16	18	20	22	26	28	30	32	36	38	40	42	46
Weight (kg)	2.5	2.6	2.8	3.0	3.3	3.4	3.5	3.7	3.9	4.1	4.2	4.4	4.6	4.8	4.9

## Motor installation part Dimensions (ETV-06)

- ETV-06-U/D



ETV-06-U/D					
Installation motor specifications		A	B	C	Motor screw
M	100W	M4	φ46	φ8	4-M4×L12
Y	100W	M4	φ46	φ8	4-M4×L12
P	100W	M3	φ45	φ8	4-M3×L12