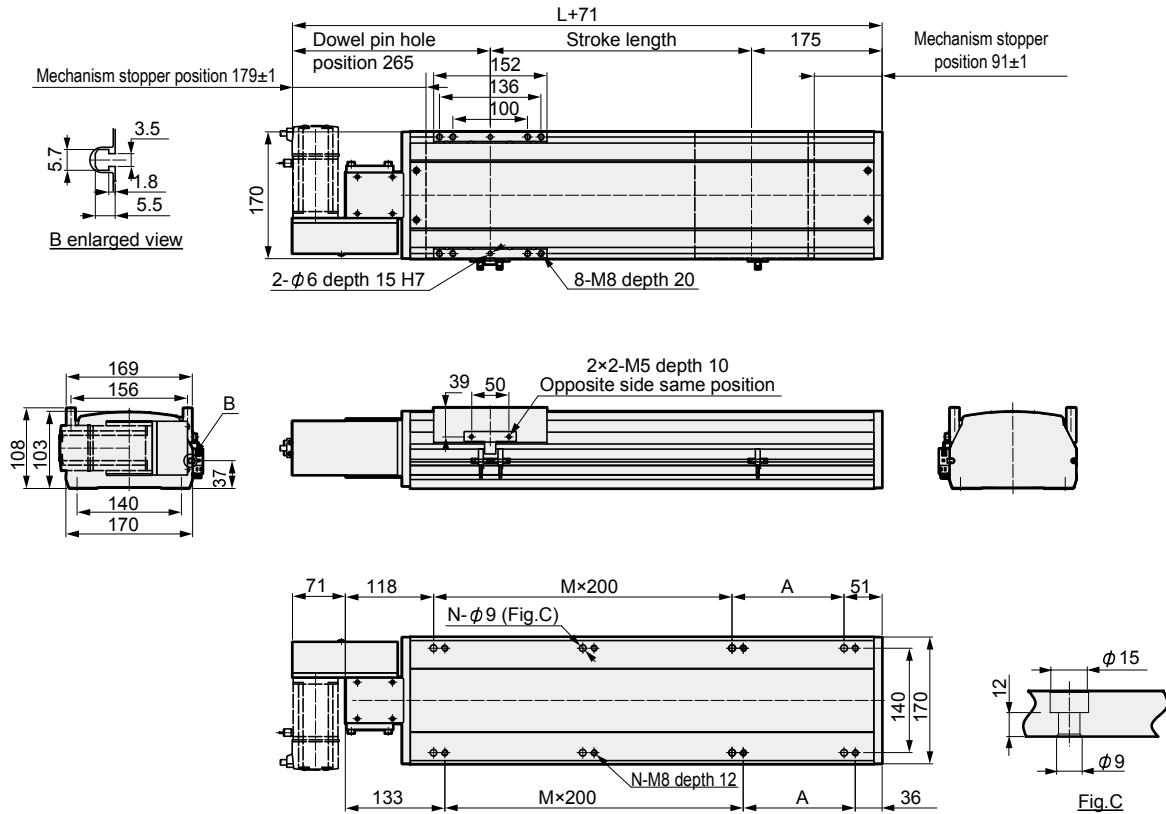


Dimensions (ETV-17)

• ETV-17-**-R (Motor installation methods: Right installation)



Note: Refer to page 26 for motor installation part dimensions.

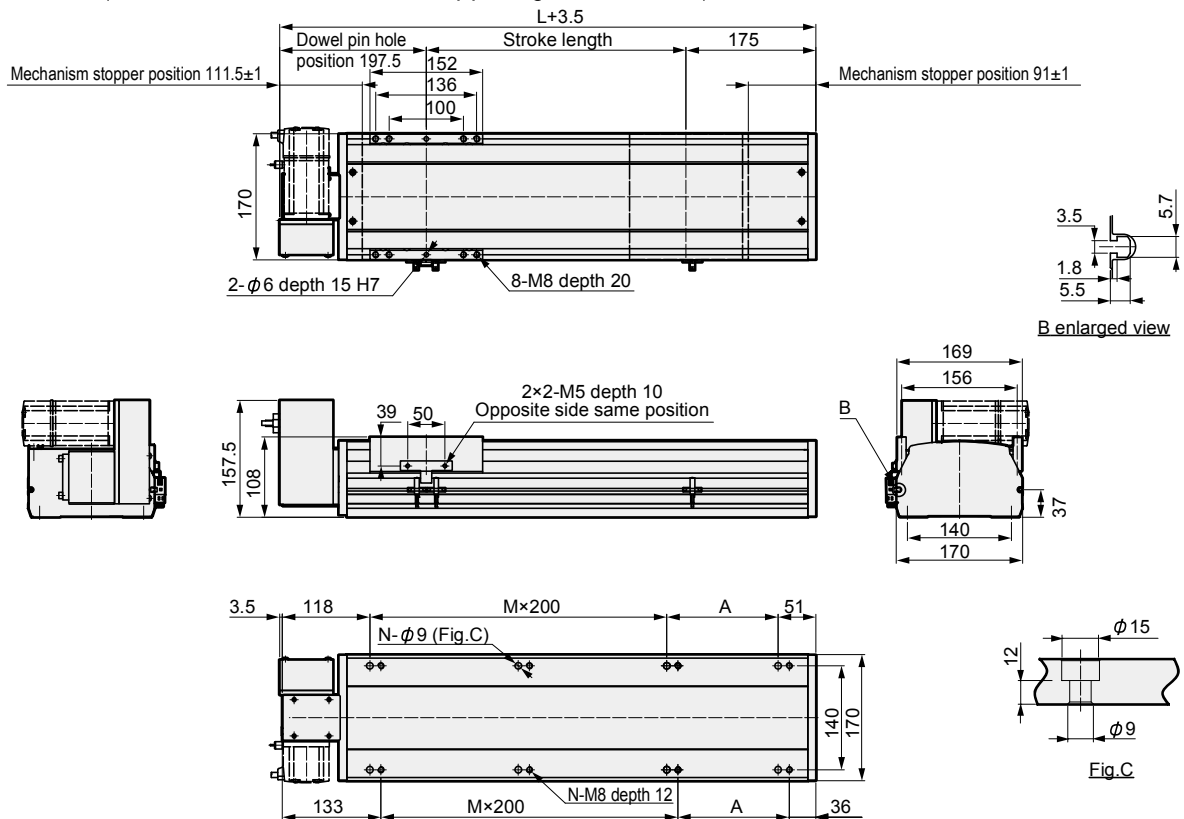
Stroke length (mm)	100	150	200	250	300	350	400	450	500	550	600	650	700	750	800	850	900	950	1000	1050	1100	1150	1200	1250	1300	1350	1400	1450	1500	1550
L	469	519	569	619	669	719	769	819	869	919	969	1019	1069	1119	1169	1219	1269	1319	1369	1419	1469	1519	1569	1619	1669	1719	1769	1819	1869	1919
A	100	150	200	50	100	150	200	50	100	150	200	50	100	150	200	50	100	150	200	50	100	150	200	50	100	150	200	50	100	150
M	1	1	1	2	2	2	2	3	3	3	3	4	4	4	4	5	5	5	5	6	6	6	6	7	7	7	7	8	8	8
N	6	6	6	8	8	8	8	10	10	10	10	12	12	12	12	14	14	14	14	16	16	16	16	18	18	18	18	20	20	20
Weight (kg)	12.0	13.8	14.6	15.4	16.1	16.9	17.7	18.5	19.2	20.0	20.8	21.6	22.3	23.1	23.9	24.7	25.4	26.2	27.0	27.8	28.6	29.4	30.2	31.0	31.8	32.6	33.4	34.2	35.0	35.8

Stroke length (mm)	1600	1650	1700	1750	1800	1850	1900	1950	2000	2050	2100	2150	2200	2250	2300	2350	2400	2450	2500	2550	2600	2650	2700	2750	2800	2850	2900	2950	3000	3050
L	1969	2019	2069	2119	2169	2219	2269	2319	2369	2419	2469	2519	2569	2619	2669	2719	2769	2819	2869	2919	2969	3019	3069	3119	3169	3219	3269	3319	3369	3419
A	200	50	100	150	200	50	100	150	200	50	100	150	200	50	100	150	200	50	100	150	200	50	100	150	200	50	100	150	200	50
M	8	9	9	9	9	10	10	10	10	11	11	11	11	12	12	12	12	13	13	13	13	14	14	14	14	15	15	15	15	16
N	20	22	22	22	22	24	24	24	24	26	26	26	26	28	28	28	28	30	30	30	30	32	32	32	32	34	34	34	34	36
Weight (kg)	36.6	37.4	38.2	39.0	39.8	40.6	41.4	42.2	43.0	43.8	44.6	45.4	46.2	47.0	47.8	48.6	49.4	50.2	51.0	51.8	52.6	53.4	54.2	55.0	55.8	56.6	57.4	58.2	59.0	59.8

Stroke length (mm)	3100	3150	3200	3250	3300	3350	3400	3450	3500
L	3469	3519	3569	3619	3669	3719	3769	3819	3869
A	100	150	200	50	100	150	200	50	100
M	16	16	16	17	17	17	17	18	18
N	36	36	36	38	38	38	38	40	40
Weight (kg)	60.6	61.4	62.2	63.0	63.8	64.6	65.4	66.2	67.0

Dimensions (ETV-17)

- ETV-17-**-S (Motor installation methods: Upper right installation)



Note: Refer to page 26 for motor installation part dimensions.

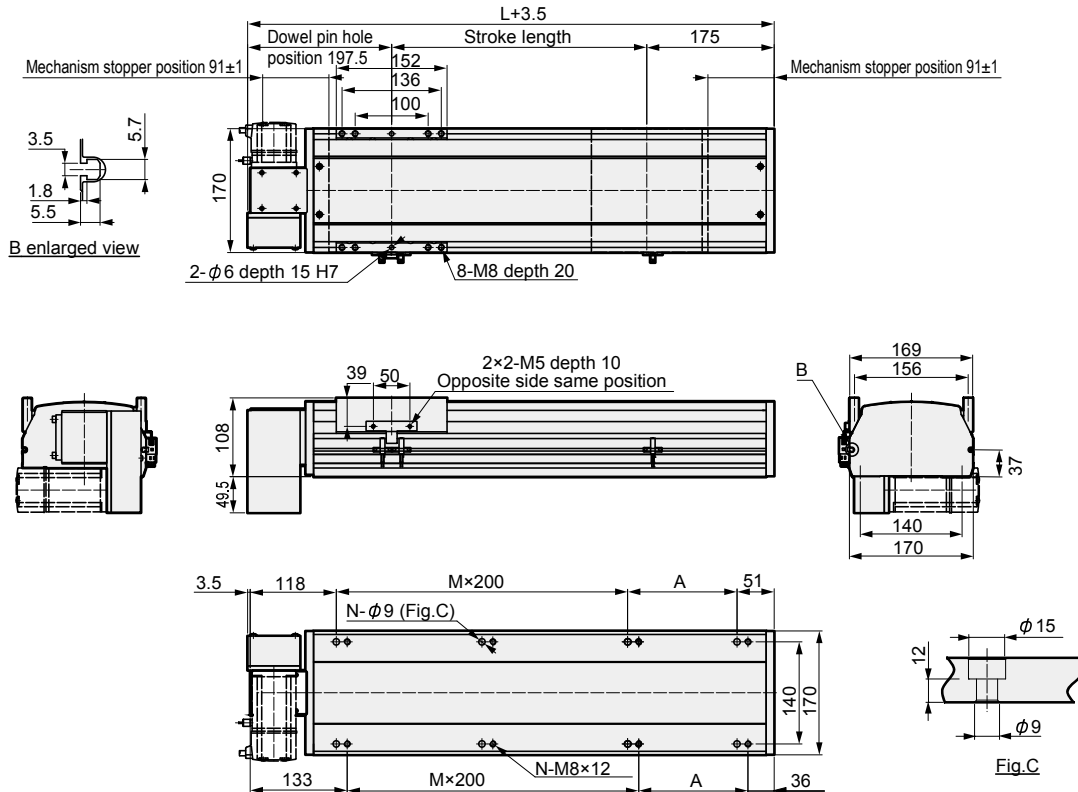
Stroke length (mm)	100	150	200	250	300	350	400	450	500	550	600	650	700	750	800	850	900	950	1000	1050	1100	1150	1200	1250	1300	1350	1400	1450	1500	1550
L	469	519	569	619	669	719	769	819	869	919	969	1019	1069	1119	1169	1219	1269	1319	1369	1419	1469	1519	1569	1619	1669	1719	1769	1819	1869	1919
A	100	150	200	50	100	150	200	50	100	150	200	50	100	150	200	50	100	150	200	50	100	150	200	50	100	150	200	50	100	150
M	1	1	1	2	2	2	2	3	3	3	3	4	4	4	4	5	5	5	5	6	6	6	6	7	7	7	7	8	8	8
N	6	6	6	8	8	8	8	10	10	10	10	12	12	12	12	14	14	14	14	16	16	16	16	18	18	18	18	20	20	20
Weight (kg)	12.0	13.8	14.6	15.4	16.1	16.9	17.7	18.5	19.2	20.0	20.8	21.6	22.3	23.1	23.9	24.7	25.4	26.2	27.0	27.8	28.6	29.4	30.2	31.0	31.8	32.6	33.4	34.2	35.0	35.8

Stroke length (mm)	1600	1650	1700	1750	1800	1850	1900	1950	2000	2050	2100	2150	2200	2250	2300	2350	2400	2450	2500	2550	2600	2650	2700	2750	2800	2850	2900	2950	3000	3050
L	1969	2019	2069	2119	2169	2219	2269	2319	2369	2419	2469	2519	2569	2619	2669	2719	2769	2819	2869	2919	2969	3019	3069	3119	3169	3219	3269	3319	3369	3419
A	200	50	100	150	200	50	100	150	200	50	100	150	200	50	100	150	200	50	100	150	200	50	100	150	200	50	100	150	200	50
M	8	9	9	9	9	10	10	10	10	11	11	11	11	12	12	12	12	13	13	13	13	14	14	14	14	15	15	15	15	16
N	20	22	22	22	22	24	24	24	24	26	26	26	26	28	28	28	28	30	30	30	30	32	32	32	32	34	34	34	34	36
Weight (kg)	36.6	37.4	38.2	39.0	39.8	40.6	41.4	42.2	43.0	43.8	44.6	45.4	46.2	47.0	47.8	48.6	49.4	50.2	51.0	51.8	52.6	53.4	54.2	55.0	55.8	56.6	57.4	58.2	59.0	59.8

Stroke length (mm)	3100	3150	3200	3250	3300	3350	3400	3450	3500
L	3469	3519	3569	3619	3669	3719	3769	3819	3869
A	100	150	200	50	100	150	200	50	100
M	16	16	16	17	17	17	17	18	18
N	36	36	36	38	38	38	38	40	40
Weight (kg)	60.6	61.4	62.2	63.0	63.8	64.6	65.4	66.2	67.0

Dimensions (ETV-17)

• ETV-17-**-T (Motor installation methods: Lower right installation)



Note: Refer to page 26 for motor installation part dimensions.

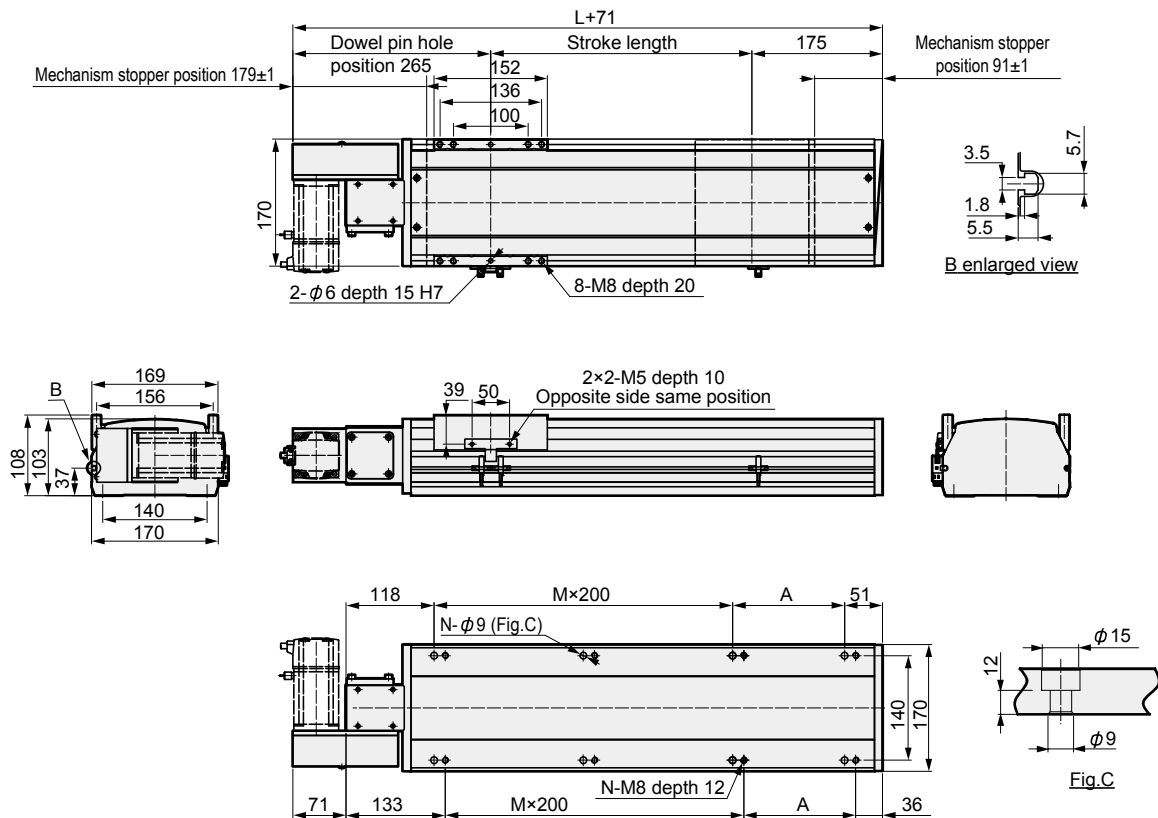
Stroke length (mm)	100	150	200	250	300	350	400	450	500	550	600	650	700	750	800	850	900	950	1000	1050	1100	1150	1200	1250	1300	1350	1400	1450	1500	1550
L	469	519	569	619	669	719	769	819	869	919	969	1019	1069	1119	1169	1219	1269	1319	1369	1419	1469	1519	1569	1619	1669	1719	1769	1819	1869	1919
A	100	150	200	50	100	150	200	50	100	150	200	50	100	150	200	50	100	150	200	50	100	150	200	50	100	150	200	50	100	150
M	1	1	1	2	2	2	2	3	3	3	3	4	4	4	4	5	5	5	5	6	6	6	6	7	7	7	7	8	8	8
N	6	6	6	8	8	8	8	10	10	10	10	12	12	12	12	14	14	14	14	16	16	16	16	18	18	18	18	20	20	20
Weight (kg)	12.0	13.8	14.6	15.4	16.1	16.9	17.7	18.5	19.2	20.0	20.8	21.6	22.3	23.1	23.9	24.7	25.4	26.2	27.0	27.8	28.6	29.4	30.2	31.0	31.8	32.6	33.4	34.2	35.0	35.8

Stroke length (mm)	1600	1650	1700	1750	1800	1850	1900	1950	2000	2050	2100	2150	2200	2250	2300	2350	2400	2450	2500	2550	2600	2650	2700	2750	2800	2850	2900	2950	3000	3050
L	1969	2019	2069	2119	2169	2219	2269	2319	2369	2419	2469	2519	2569	2619	2669	2719	2769	2819	2869	2919	2969	3019	3069	3119	3169	3219	3269	3319	3369	3419
A	200	50	100	150	200	50	100	150	200	50	100	150	200	50	100	150	200	50	100	150	200	50	100	150	200	50	100	150	200	50
M	8	9	9	9	9	10	10	10	10	11	11	11	11	12	12	12	12	13	13	13	13	14	14	14	14	15	15	15	15	16
N	20	22	22	22	22	24	24	24	24	26	26	26	26	28	28	28	28	30	30	30	30	32	32	32	32	34	34	34	34	36
Weight (kg)	36.6	37.4	38.2	39.0	39.8	40.6	41.4	42.2	43.0	43.8	44.6	45.4	46.2	47.0	47.8	48.6	49.4	50.2	51.0	51.8	52.6	53.4	54.2	55.0	55.8	56.6	57.4	58.2	59.0	59.8

Stroke length (mm)	3100	3150	3200	3250	3300	3350	3400	3450	3500
L	3469	3519	3569	3619	3669	3719	3769	3819	3869
A	100	150	200	50	100	150	200	50	100
M	16	16	16	17	17	17	17	18	18
N	36	36	36	38	38	38	38	40	40
Weight (kg)	60.6	61.4	62.2	63.0	63.8	64.6	65.4	66.2	67.0

Dimensions (ETV-17)

- ETV-17-**-L (Motor installation methods: Left installation)



Note: Refer to page 26 for motor installation part dimensions.

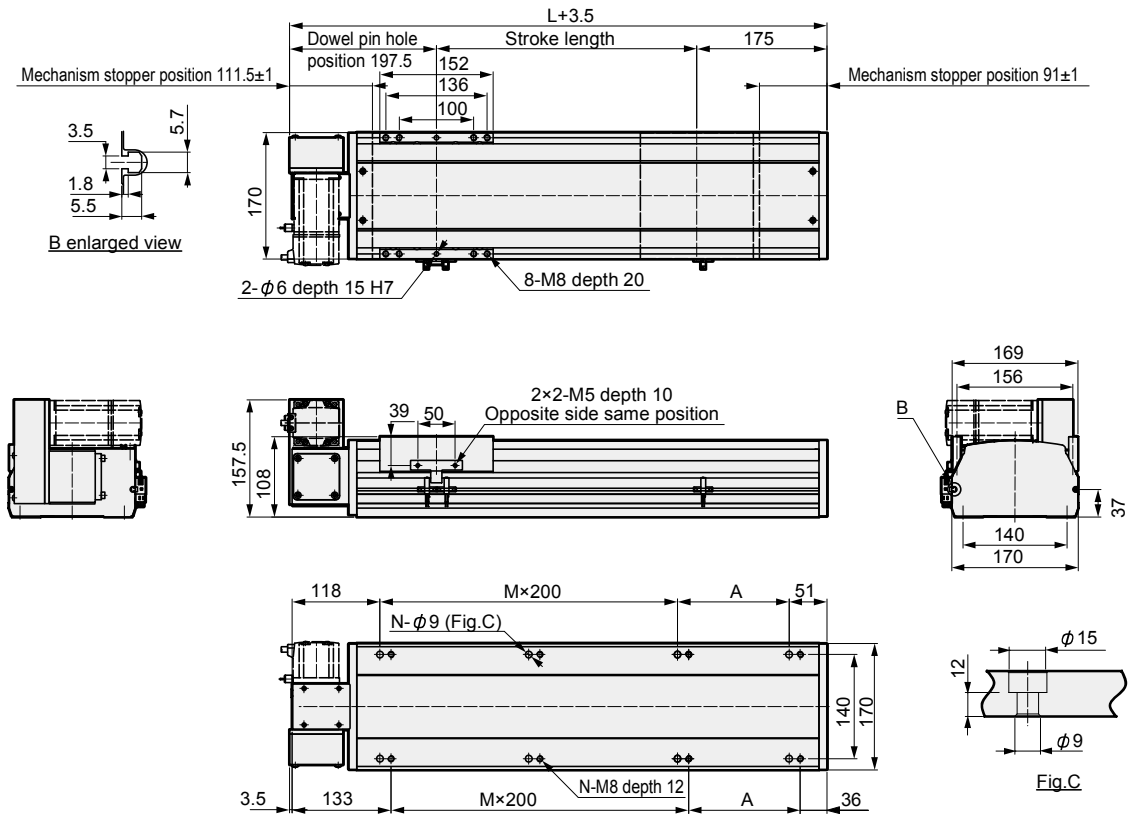
Stroke length (mm)	100	150	200	250	300	350	400	450	500	550	600	650	700	750	800	850	900	950	1000	1050	1100	1150	1200	1250	1300	1350	1400	1450	1500	1550
L	469	519	569	619	669	719	769	819	869	919	969	1019	1069	1119	1169	1219	1269	1319	1369	1419	1469	1519	1569	1619	1669	1719	1769	1819	1869	1919
A	100	150	200	50	100	150	200	50	100	150	200	50	100	150	200	50	100	150	200	50	100	150	200	50	100	150	200	50	100	150
M	1	1	1	2	2	2	2	3	3	3	3	4	4	4	4	5	5	5	5	6	6	6	6	7	7	7	7	8	8	8
N	6	6	6	8	8	8	8	10	10	10	10	12	12	12	12	14	14	14	14	16	16	16	16	18	18	18	18	20	20	20
Weight (kg)	12.0	13.8	14.6	15.4	16.1	16.9	17.7	18.5	19.2	20.0	20.8	21.6	22.3	23.1	23.9	24.7	25.4	26.2	27.0	27.8	28.6	29.4	30.2	31.0	31.8	32.6	33.4	34.2	35.0	35.8

Stroke length (mm)	1600	1650	1700	1750	1800	1850	1900	1950	2000	2050	2100	2150	2200	2250	2300	2350	2400	2450	2500	2550	2600	2650	2700	2750	2800	2850	2900	2950	3000	3050
L	1969	2019	2069	2119	2169	2219	2269	2319	2369	2419	2469	2519	2569	2619	2669	2719	2769	2819	2869	2919	2969	3019	3069	3119	3169	3219	3269	3319	3369	3419
A	200	50	100	150	200	50	100	150	200	50	100	150	200	50	100	150	200	50	100	150	200	50	100	150	200	50	100	150	200	50
M	8	9	9	9	9	10	10	10	10	11	11	11	11	12	12	12	12	13	13	13	13	14	14	14	14	15	15	15	15	16
N	20	22	22	22	22	24	24	24	24	26	26	26	26	28	28	28	28	30	30	30	30	32	32	32	32	34	34	34	34	36
Weight (kg)	36.6	37.4	38.2	39.0	39.8	40.6	41.4	42.2	43.0	43.8	44.6	45.4	46.2	47.0	47.8	48.6	49.4	50.2	51.0	51.8	52.6	53.4	54.2	55.0	55.8	56.6	57.4	58.2	59.0	59.8

Stroke length (mm)	3100	3150	3200	3250	3300	3350	3400	3450	3500
L	3469	3519	3569	3619	3669	3719	3769	3819	3869
A	100	150	200	50	100	150	200	50	100
M	16	16	16	17	17	17	17	18	18
N	36	36	36	38	38	38	38	40	40
Weight (kg)	60.6	61.4	62.2	63.0	63.8	64.6	65.4	66.2	67.0

Dimensions (ETV-17)

- ETV-17-**-V (Motor installation methods: Upper left installation)



Note: Refer to page 26 for motor installation part dimensions.

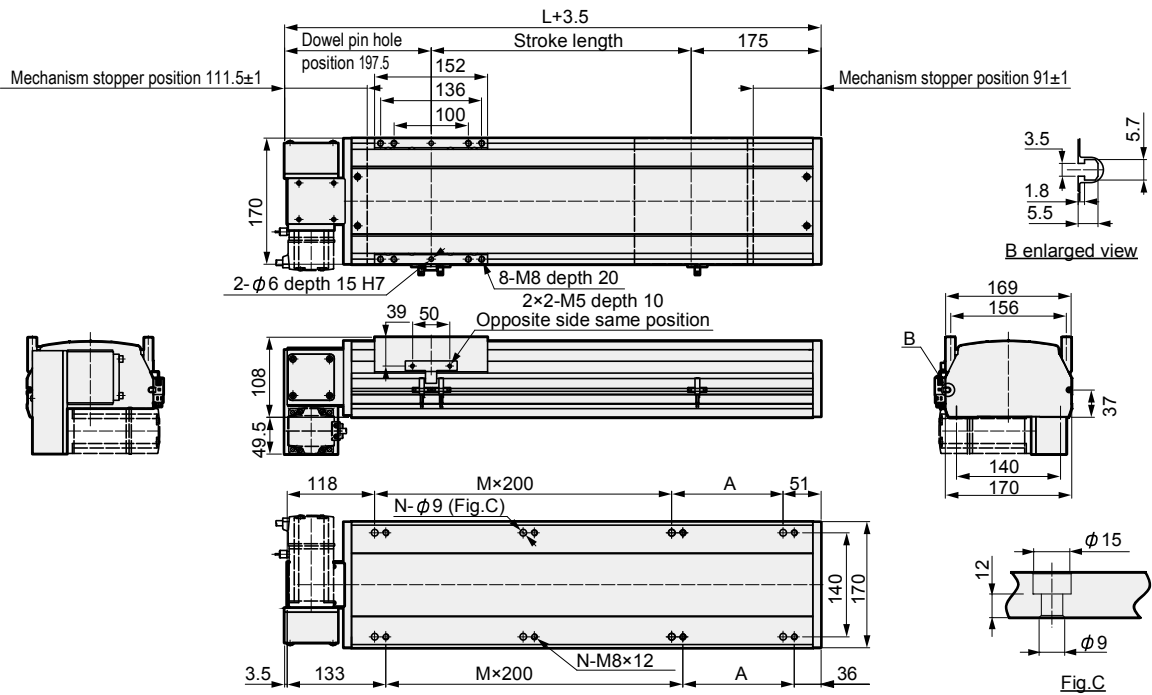
Stroke length (mm)	100	150	200	250	300	350	400	450	500	550	600	650	700	750	800	850	900	950	1000	1050	1100	1150	1200	1250	1300	1350	1400	1450	1500	1550
L	469	519	569	619	669	719	769	819	869	919	969	1019	1069	1119	1169	1219	1269	1319	1369	1419	1469	1519	1569	1619	1669	1719	1769	1819	1869	1919
A	100	150	200	50	100	150	200	50	100	150	200	50	100	150	200	50	100	150	200	50	100	150	200	50	100	150	200	50	100	150
M	1	1	1	2	2	2	2	3	3	3	3	4	4	4	4	5	5	5	5	6	6	6	6	7	7	7	7	8	8	8
N	6	6	6	8	8	8	8	10	10	10	10	12	12	12	12	14	14	14	14	16	16	16	16	18	18	18	18	20	20	20
Weight (kg)	12.0	13.8	14.6	15.4	16.1	16.9	17.7	18.5	19.2	20.0	20.8	21.6	22.3	23.1	23.9	24.7	25.4	26.2	27.0	27.8	28.6	29.4	30.2	31.0	31.8	32.6	33.4	34.2	35.0	35.8

Stroke length (mm)	1600	1650	1700	1750	1800	1850	1900	1950	2000	2050	2100	2150	2200	2250	2300	2350	2400	2450	2500	2550	2600	2650	2700	2750	2800	2850	2900	2950	3000	3050
L	1969	2019	2069	2119	2169	2219	2269	2319	2369	2419	2469	2519	2569	2619	2669	2719	2769	2819	2869	2919	2969	3019	3069	3119	3169	3219	3269	3319	3369	3419
A	200	50	100	150	200	50	100	150	200	50	100	150	200	50	100	150	200	50	100	150	200	50	100	150	200	50	100	150	200	50
M	8	9	9	9	9	10	10	10	10	11	11	11	11	12	12	12	12	13	13	13	13	14	14	14	14	15	15	15	15	16
N	20	22	22	22	22	24	24	24	24	26	26	26	26	28	28	28	28	30	30	30	30	32	32	32	32	34	34	34	34	36
Weight (kg)	36.6	37.4	38.2	39.0	39.8	40.6	41.4	42.2	43.0	43.8	44.6	45.4	46.2	47.0	47.8	48.6	49.4	50.2	51.0	51.8	52.6	53.4	54.2	55.0	55.8	56.6	57.4	58.2	59.0	59.8

Stroke length (mm)	3100	3150	3200	3250	3300	3350	3400	3450	3500
L	3469	3519	3569	3619	3669	3719	3769	3819	3869
A	100	150	200	50	100	150	200	50	100
M	16	16	16	17	17	17	17	18	18
N	36	36	36	38	38	38	38	40	40
Weight (kg)	60.6	61.4	62.2	63.0	63.8	64.6	65.4	66.2	67.0

Dimensions (ETV-17)

- ETV-17-**-W (Motor installation methods: Lower left installation)



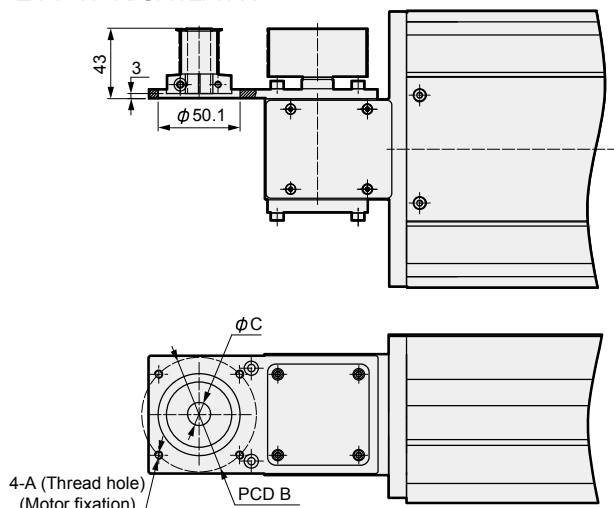
Stroke length (mm)	100	150	200	250	300	350	400	450	500	550	600	650	700	750	800	850	900	950	1000	1050	1100	1150	1200	1250	1300	1350	1400	1450	1500	1550
L	469	519	569	619	669	719	769	819	869	919	969	1019	1069	1119	1169	1219	1269	1319	1369	1419	1469	1519	1569	1619	1669	1719	1769	1819	1869	1919
A	100	150	200	50	100	150	200	50	100	150	200	50	100	150	200	50	100	150	200	50	100	150	200	50	100	150	200	50	100	150
M	1	1	1	2	2	2	2	3	3	3	3	4	4	4	4	5	5	5	5	6	6	6	6	7	7	7	7	8	8	8
N	6	6	6	8	8	8	8	10	10	10	10	12	12	12	12	14	14	14	14	16	16	16	16	18	18	18	18	20	20	20
Weight (kg)	12.0	13.8	14.6	15.4	16.1	16.9	17.7	18.5	19.2	20.0	20.8	21.6	22.3	23.1	23.9	24.7	25.4	26.2	27.0	27.8	28.6	29.4	30.2	31.0	31.8	32.6	33.4	34.2	35.0	35.8

Stroke length (mm)	1600	1650	1700	1750	1800	1850	1900	1950	2000	2050	2100	2150	2200	2250	2300	2350	2400	2450	2500	2550	2600	2650	2700	2750	2800	2850	2900	2950	3000	3050
L	1969	2019	2069	2119	2169	2219	2269	2319	2369	2419	2469	2519	2569	2619	2669	2719	2769	2819	2869	2919	2969	3019	3069	3119	3169	3219	3269	3319	3369	3419
A	200	50	100	150	200	50	100	150	200	50	100	150	200	50	100	150	200	50	100	150	200	50	100	150	200	50	100	150	200	50
M	8	9	9	9	9	10	10	10	10	11	11	11	11	12	12	12	12	13	13	13	13	14	14	14	14	15	15	15	15	16
N	20	22	22	22	22	24	24	24	24	26	26	26	26	28	28	28	28	30	30	30	30	32	32	32	32	34	34	34	34	36
Weight (kg)	36.6	37.4	38.2	39.0	39.8	40.6	41.4	42.2	43.0	43.8	44.6	45.4	46.2	47.0	47.8	48.6	49.4	50.2	51.0	51.8	52.6	53.4	54.2	55.0	55.8	56.6	57.4	58.2	59.0	59.8

Stroke length (mm)	3100	3150	3200	3250	3300	3350	3400	3450	3500
L	3469	3519	3569	3619	3669	3719	3769	3819	3869
A	100	150	200	50	100	150	200	50	100
M	16	16	16	17	17	17	17	18	18
N	36	36	36	38	38	38	38	40	40
Weight (kg)	60.6	61.4	62.2	63.0	63.8	64.6	65.4	66.2	67.0

Motor installation part Dimensions (ETV-17)

- ETV-17-R/S/T/L/V/W



ETV-10-R/S/T/L/V/W				
Installation motor specifications	A	B	C	Motor screw
M 400W	M5	φ70	φ14	4-M5×L12
Y 400W	M5	φ70	φ14	4-M5×L12
P 400W	M4	φ70	φ14	4-M4×L12