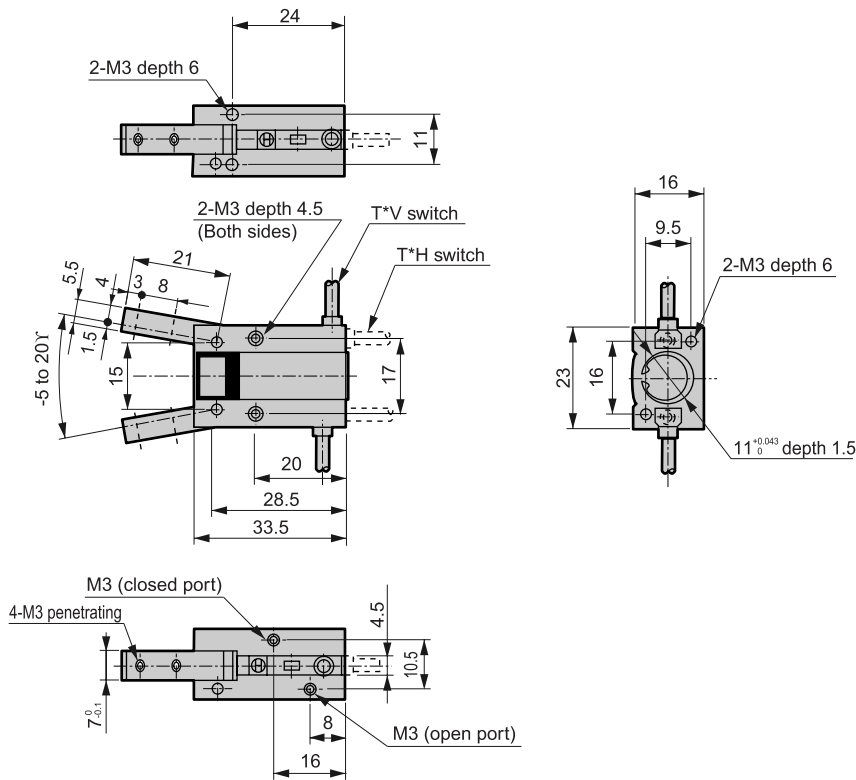


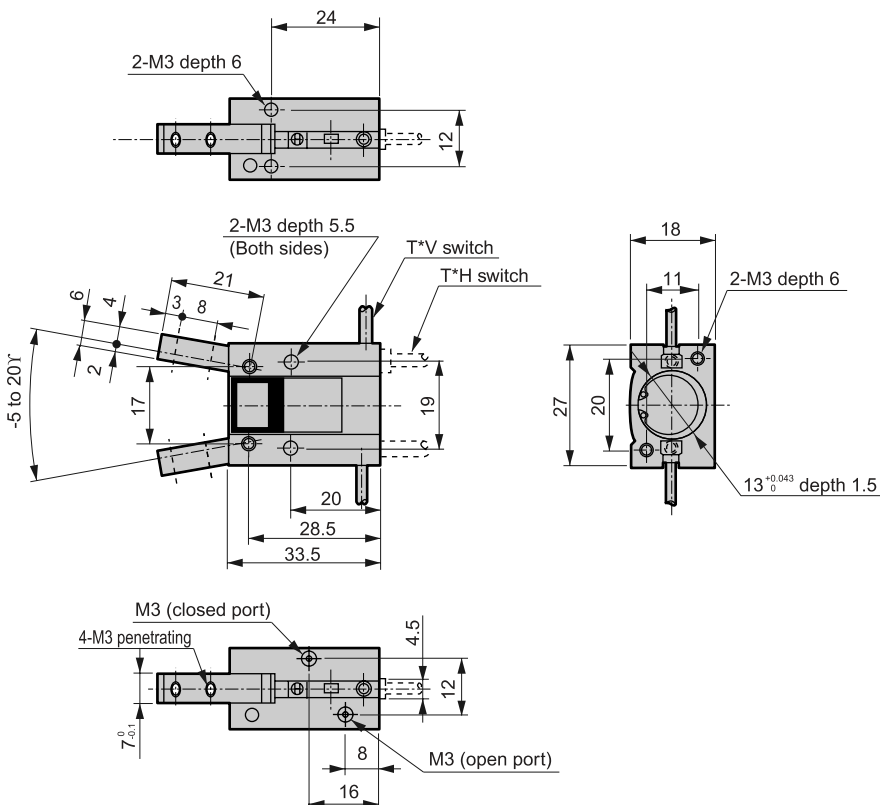
### Dimensions



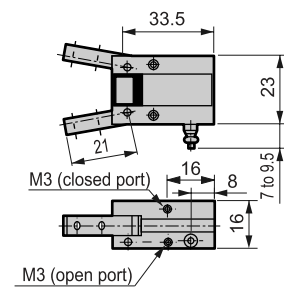
#### ● FH510-D/FH510-O



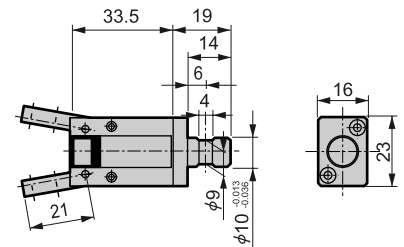
#### ● FH512-D/FH512-O



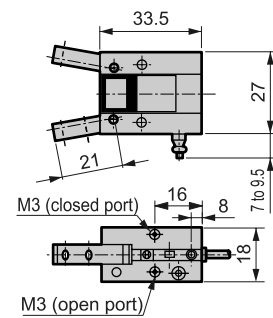
#### ● Speed control valve (FH510-Z)



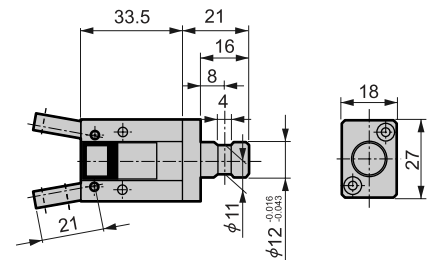
#### ● With end mount



#### ● Flow control valve (FH512-Z)



#### ● With end mount



RRC
GRC
RV3*
NHS
HR
LN
FH100
HAP
BSA2
BHA/BHG
LHA
LHAG
HKP
HLA/HLB
HLAG/HLBG
HEP
HCP
HMF
HMFB
HFP
HLC
HGP
<b>FH500</b>
HBL
HDL
HMD
HJL
BHE
CKG
CK
CKA
CKS
CKF
CKJ
CKL2
CKL2 *-HC
CKH2
CKLB2
NCK/ SCK/FCK
FJ
FK
Ending

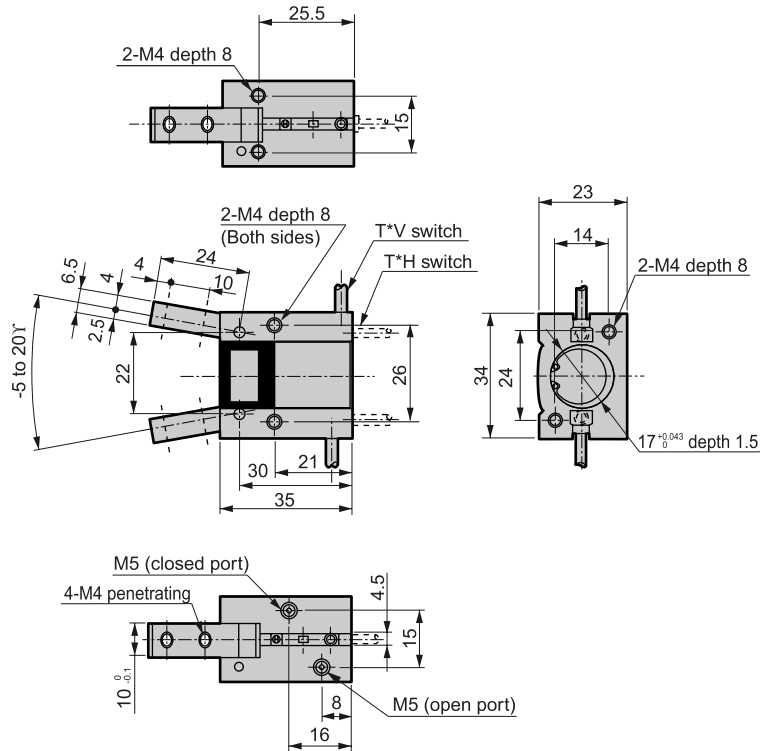
Feather hand (min-fulcrum hand)  
Hand

## Dimensions

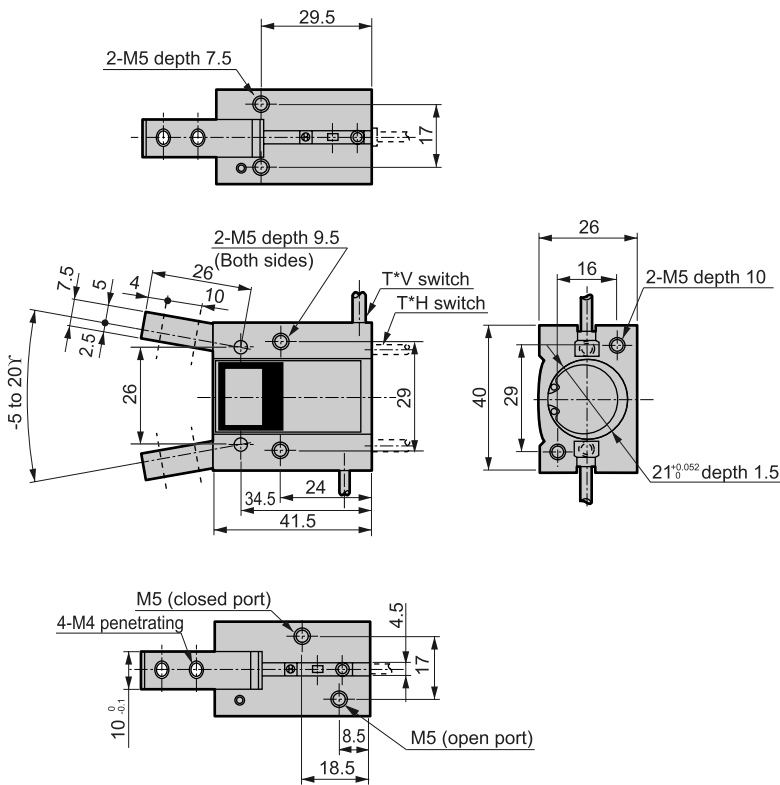


RRC
GRC
RV3*
NHS
HR
LN
FH100
HAP
BSA2
BHA/BHG
LHA
LHAG
HKP
HLA/HLB
HLAG/HLBG
HEP
HCP
HMF
HMFB
HFP
HLC
HGP
<b>FH500</b>
HBL
HDL
HMD
HJL
BHE
CKG
CK
CKA
CKS
CKF
CKJ
CKL2
CKL2 -*-HC
CKH2
CKLB2
NCK/ SCK/FCK
FJ
FK
Ending

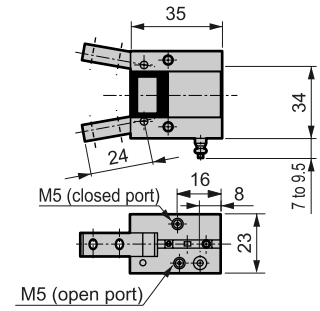
### ● FH516-D/FH516-O



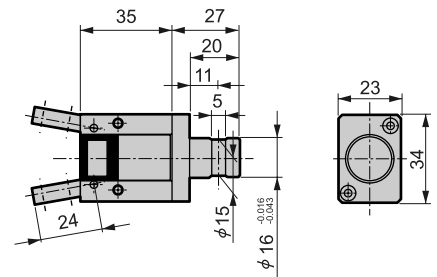
### ● FH520-D/FH520-O



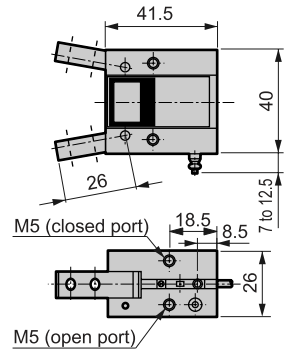
### ● Flow control valve (FH516-Z)



### ● With end mount



### ● Flow control valve (FH520-Z)



### ● With end mount

