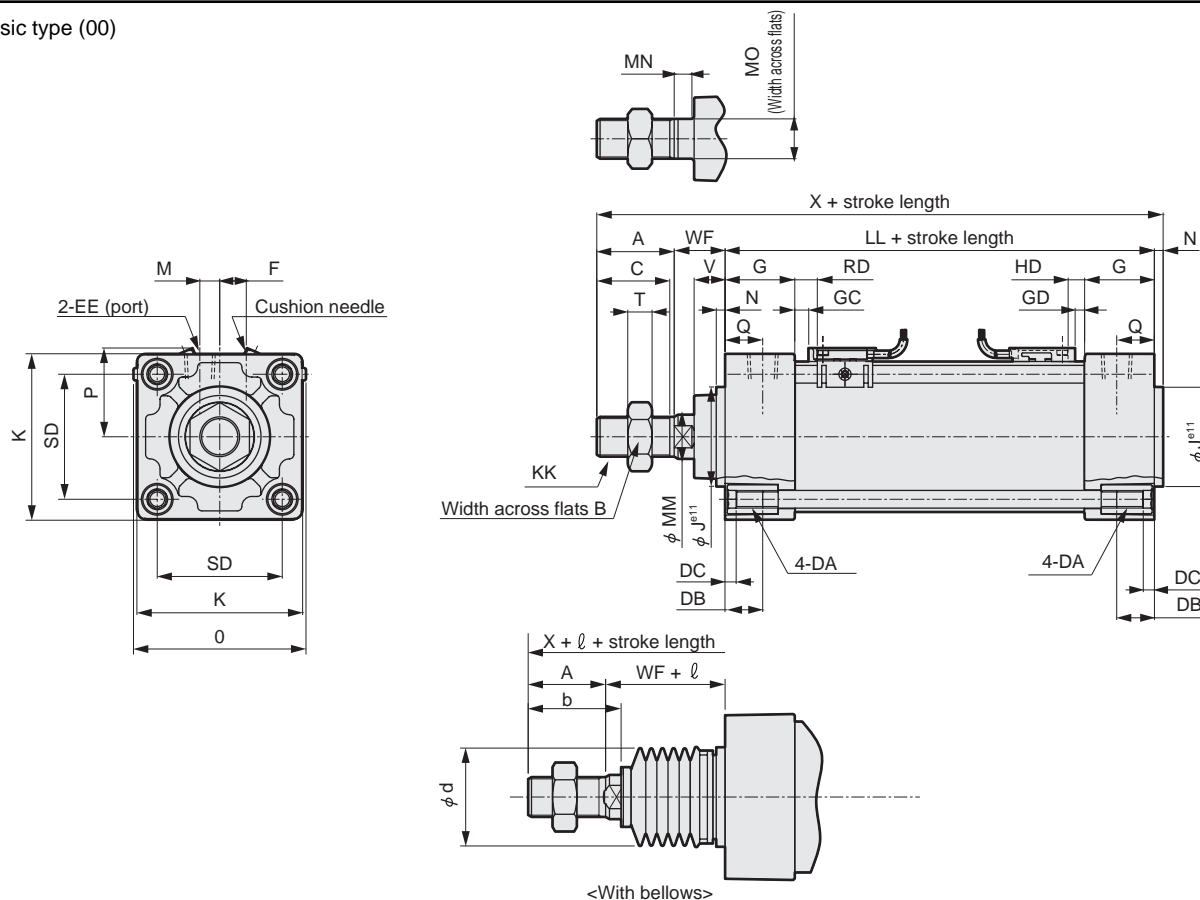


Dimensions



● Basic type (00)



Note 1: Dimensions shown in parentheses are for the rubber cushion type. This type is longer than the air cushion type.

($\phi 32, \phi 40$; +6 mm, $\phi 50, \phi 63$; +8 mm, $\phi 80, \phi 100$; +10 mm)

Note 2: RD and HD in the dimensions indicate the switch end positions, and GC and DC indicate the switch rail end positions.

| Symbol | | Basic type (00) basic dimensions | | | | | | | | | | | | | | | | | | | |
|----------------|--|----------------------------------|-----------|-------------|------------|-----------|----|-------|------|------|-----|-----|------------|-----------|------|-----|-----|-----|-----|-----|------|
| Bore size (mm) | | A | B | C | DA | DB | DC | EE | F | G | J | K | KK | Note 1 LL | M | MM | MN | MO | N | O | Q |
| $\phi 32$ | | 22 | 17 | 19.5 | M6 | 16 | 5 | Rc1/8 | 6.5 | 27 | 30 | 46 | M10 x 1.25 | 84 (90) | 4 | 12 | 5.5 | 10 | 4 | 52 | 13 |
| $\phi 40$ | | 30 | 22 | 27 | M6 | 16 | 5 | Rc1/4 | 9 | 27 | 35 | 52 | M14 x 1.5 | 84 (90) | 4 | 16 | 6 | 14 | 4 | 58 | 14 |
| $\phi 50$ | | 35 | 27 | 32 | M8 | 16 | 5 | Rc1/4 | 10.5 | 31.5 | 40 | 65 | M18 x 1.5 | 94 (102) | 5 | 20 | 8 | 17 | 4 | 68 | 15.5 |
| $\phi 63$ | | 35 | 27 | 32 | M8 | 16 | 5 | Rc3/8 | 12 | 31.5 | 45 | 75 | M18 x 1.5 | 94 (102) | 9 | 20 | 8 | 17 | 4 | 78 | 16.5 |
| $\phi 80$ | | 40 | 32 | 37 | M10 | 16 | 5 | Rc3/8 | 14 | 38 | 45 | 95 | M22 x 1.5 | 114 (124) | 11.5 | 25 | 11 | 22 | 4 | 95 | 19 |
| $\phi 100$ | | 40 | 41 | 37 | M10 | 16 | 5 | Rc1/2 | 15 | 38 | 55 | 114 | M26 x 1.5 | 114 (124) | 17 | 30 | 13 | 27 | 4 | 114 | 19 |
| Symbol | | With bellows | | | | | | | | | | | | | | | | | | | |
| Bore size (mm) | | SD | T | V | WF | Note 1 X | A | b | d | WF | l | | | | | | | | | | |
| $\phi 32$ | | 32.5 | 6 | 13 | 25 | 135 (141) | 22 | 31.5 | 30 | 25 | 26 | 39 | 51 | 64 | 89 | 114 | 139 | - | - | - | - |
| $\phi 40$ | | 38 | 8 | 13 | 21 | 139 (145) | 30 | 35 | 40 | 21 | 30 | 43 | 55 | 68 | 93 | 118 | 143 | - | - | - | - |
| $\phi 50$ | | 46.5 | 11 | 14 | 23 | 156 (164) | 35 | 42 | 47 | 23 | 31 | 44 | 56 | 69 | 94 | 119 | 144 | 169 | - | - | - |
| $\phi 63$ | | 56.5 | 11 | 14 | 23 | 156 (164) | 35 | 42 | 47 | 23 | 31 | 44 | 56 | 69 | 94 | 119 | 144 | 169 | - | - | - |
| $\phi 80$ | | 72 | 13 | 20 | 32 | 190 (200) | 40 | 50 | 53 | 32 | 29 | 42 | 54 | 67 | 92 | 117 | 142 | 167 | 192 | 217 | - |
| $\phi 100$ | | 89 | 16 | 20 | 32 | 190 (200) | 40 | 52.5 | 61 | 32 | 29 | 42 | 54 | 67 | 92 | 117 | 142 | 167 | 192 | 217 | - |
| Symbol | | With switch | | | | | | | | | | | | | | | | | | | |
| Bore size (mm) | | GC Note 1 | GD Note 1 | RD Note 1 | HD Note 1 | P | | | | | | | | | | | | | | | |
| $\phi 32$ | | 1 (4) | 1 (4) | 5 (8) | 5 (8) | 25 | | | | | | | | | | | | | | | |
| $\phi 40$ | | 1 (4) | 1 (4) | 5 (8) | 5 (8) | 29 | | | | | | | | | | | | | | | |
| $\phi 50$ | | 2.5 (6.5) | 1 (5) | 6.5 (10.5) | 5 (9) | 34 | | | | | | | | | | | | | | | |
| $\phi 63$ | | 2.5 (6.5) | 1 (5) | 6.5 (10.5) | 5 (9) | 40 | | | | | | | | | | | | | | | |
| $\phi 80$ | | 8.5 (13.5) | 2 (7) | 12.5 (17.5) | 6 (11) | - | | | | | | | | | | | | | | | |
| $\phi 100$ | | 8 (13) | 2.5 (7.5) | 12 (17) | 6.5 (11.5) | - | | | | | | | | | | | | | | | |

Note 3: Refer to page 426 for the HD, RD and projecting dimensions of 2-color indicators with preventive maintenance output.

Note 4: Refer to pages 428, 429 for accessory dimensions.

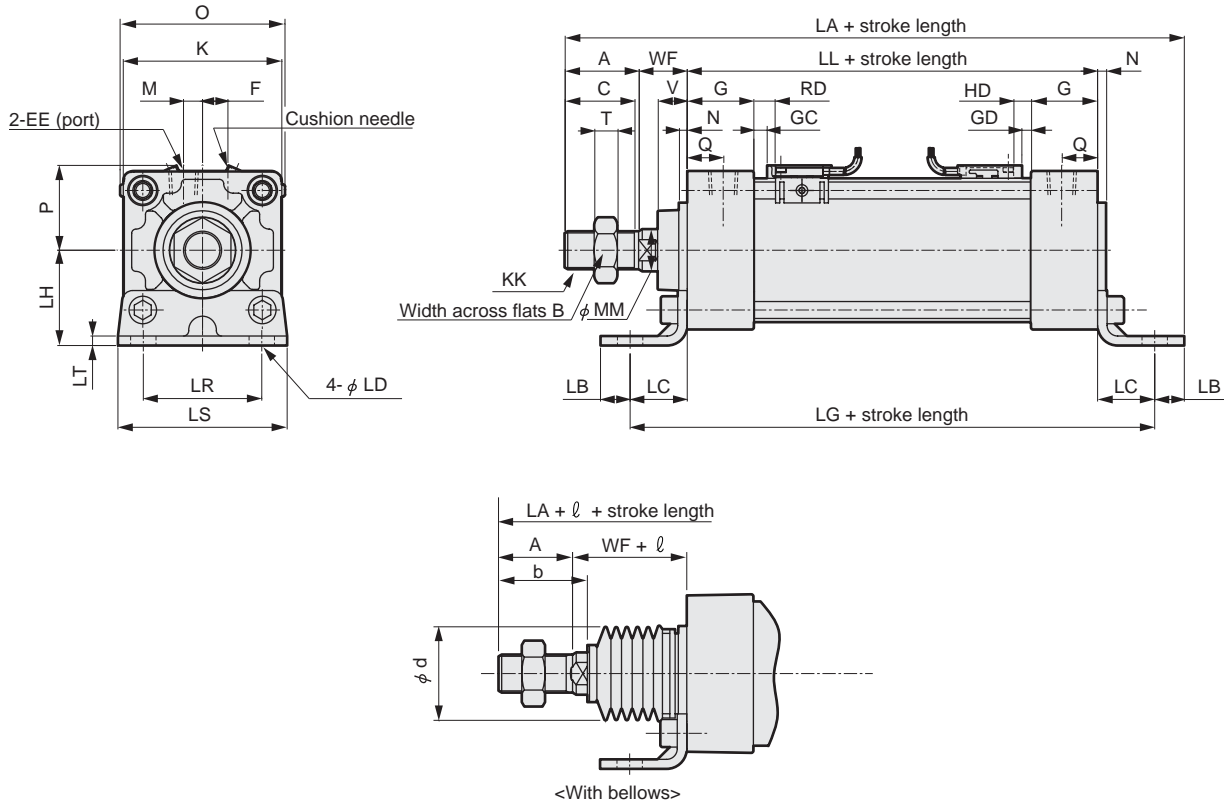
SCP*2
CMK2
CMA2
SCM
SCG
SCA2
SCS
CKV2
CA/OV2
SSD
CAT
MDC2
MVC
SMD2
MSD*
FC*
STK
ULK*
JSK/M2
JSG
JSC3
USSD
USC
JSB3
LMB
STG
STS/L
LCS
LCG
LCM
LCT
LCY
STR2
UCA2
HCM
HCA
SRL2
SRG
SRM
SRT
MRL2
MRG2
SM-25
CAC3
UCAC
RCC2
MFC
SHC
GLC
Ending

Tie rod cylinder
Standard type

Dimensions



● Axial foot type (LB)



Note 1: Dimensions shown in parentheses are for the rubber cushion type. This type is longer than the air cushion type.

(φ 32, φ 40; +6 mm, φ 50, φ 63; +8 mm, φ 80, φ 100; +10 mm)

Note 2: RD and HD in the dimensions indicate the switch end positions, and GC and DC indicate the switch rail end positions.

| Symbol | Axial foot type (LB) basic dimensions | | | | | | | | | | | | | | | | | Installation dimensions | |
|--------|---------------------------------------|----|------|-------|------|------|-----|------------|-----------|------|----|---|-----|------|----|----|----|-------------------------|--|
| | A | B | C | EE | F | G | K | KK | Note 1 LL | M | MM | N | O | Q | T | V | WF | Note 1 LA | |
| φ 32 | 22 | 17 | 19.5 | Rc1/8 | 6.5 | 27 | 46 | M10 x 1.25 | 84 (90) | 4 | 12 | 4 | 52 | 13 | 6 | 13 | 25 | 162 (168) | |
| φ 40 | 30 | 22 | 27 | Rc1/4 | 9 | 27 | 52 | M14 x 1.5 | 84 (90) | 4 | 16 | 4 | 58 | 14 | 8 | 13 | 21 | 170 (176) | |
| φ 50 | 35 | 27 | 32 | Rc1/4 | 10.5 | 31.5 | 65 | M18 x 1.5 | 94 (102) | 5 | 20 | 4 | 68 | 15.5 | 11 | 14 | 23 | 190 (198) | |
| φ 63 | 35 | 27 | 32 | Rc3/8 | 12 | 31.5 | 75 | M18 x 1.5 | 94 (102) | 9 | 20 | 4 | 78 | 16.5 | 11 | 14 | 23 | 193 (201) | |
| φ 80 | 40 | 32 | 37 | Rc3/8 | 14 | 38 | 95 | M22 x 1.5 | 114 (124) | 11.5 | 25 | 4 | 95 | 19 | 13 | 20 | 32 | 230 (240) | |
| φ 100 | 40 | 41 | 37 | Rc1/2 | 15 | 38 | 114 | M26 x 1.5 | 114 (124) | 17 | 30 | 4 | 114 | 19 | 16 | 20 | 32 | 234 (244) | |

| Symbol | With bellows | | | | | | | | | | | | | | | | | | | | | |
|--------|--------------|----|----|-----------|----|----|-----|-----|----|------|----|----|----|----|----|----|----|-----|-----|-----|-----|-----|
| | LB | LC | LD | Note 1 LG | LH | LR | LS | LT | A | b | d | WF | ℓ | | | | | | | | | |
| φ 32 | 9 | 22 | 7 | 128 (134) | 30 | 32 | 50 | 3.2 | 22 | 31.5 | 30 | 25 | 26 | 39 | 51 | 64 | 89 | 114 | 139 | - | - | - |
| φ 40 | 11 | 24 | 9 | 132 (138) | 33 | 38 | 55 | 3.2 | 30 | 35 | 40 | 21 | 30 | 43 | 55 | 68 | 93 | 118 | 143 | - | - | - |
| φ 50 | 11 | 27 | 9 | 148 (156) | 40 | 46 | 70 | 3.2 | 35 | 42 | 47 | 23 | 31 | 44 | 56 | 69 | 94 | 119 | 144 | 169 | - | - |
| φ 63 | 14 | 27 | 12 | 148 (156) | 45 | 56 | 80 | 4.5 | 35 | 42 | 47 | 23 | 31 | 44 | 56 | 69 | 94 | 119 | 144 | 169 | - | - |
| φ 80 | 14 | 30 | 12 | 174 (184) | 55 | 72 | 95 | 4.5 | 40 | 50 | 53 | 32 | 29 | 42 | 54 | 67 | 92 | 117 | 142 | 167 | 192 | 217 |
| φ 100 | 16 | 32 | 14 | 178 (188) | 65 | 89 | 114 | 6 | 40 | 52.5 | 61 | 32 | 29 | 42 | 54 | 67 | 92 | 117 | 142 | 167 | 192 | 217 |

| Symbol | With switch | | | | |
|--------|-------------|-----------|-------------|------------|----|
| | GC Note 1 | GD Note 1 | RD Note 1 | HD Note 1 | P |
| φ 32 | 1 (4) | 1 (4) | 5 (8) | 5 (8) | 25 |
| φ 40 | 1 (4) | 1 (4) | 5 (8) | 5 (8) | 29 |
| φ 50 | 2.5 (6.5) | 1 (5) | 6.5 (10.5) | 5 (9) | 34 |
| φ 63 | 2.5 (6.5) | 1 (5) | 6.5 (10.5) | 5 (9) | 40 |
| φ 80 | 8.5 (13.5) | 2 (7) | 12.5 (17.5) | 6 (11) | - |
| φ 100 | 8 (13) | 2.5 (7.5) | 12 (17) | 6.5 (11.5) | - |

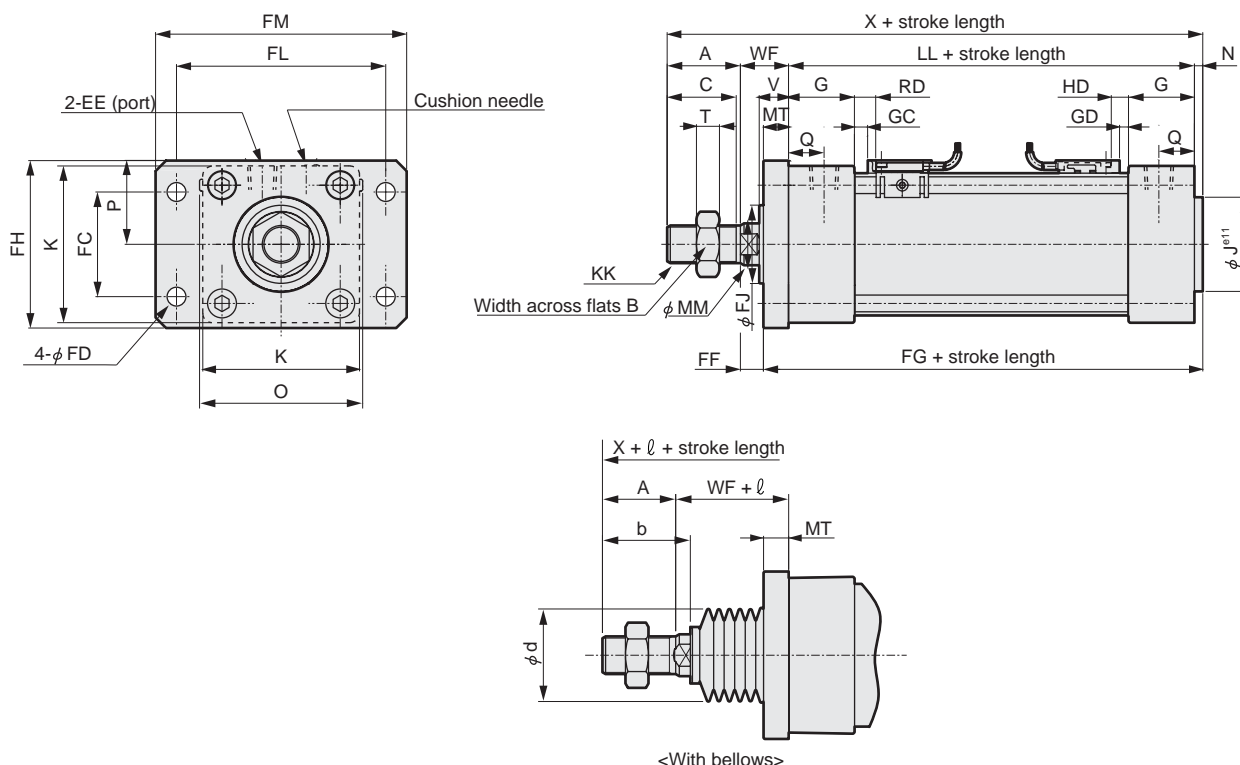
Note 3: Refer to page 426 for the HD, RD and projecting dimensions of 2-color indicators with preventive maintenance output.

Note 4: Refer to pages 428, 429 for accessory dimensions.

Dimensions



● Rod end flange type (FA)



Note 1: Dimensions shown in parentheses are for the rubber cushion type. This type is longer than the air cushion type.

($\phi 32, \phi 40$; +6 mm, $\phi 50, \phi 63$; +8 mm, $\phi 80, \phi 100$; +10 mm)

Note 2: RD and HD in the dimensions indicate the switch end positions, and GC and DC indicate the switch rail end positions.

| Symbol | Rod end flange type (FA) basic dimensions | | | | | | | | | | | | | | | | | | |
|------------|---|----|------|-------|------|------|----|-----|------------|-----------|------|----|---|-----|------|----|----|----|-----------|
| | A | B | C | EE | F | G | J | K | KK | Note 1 LL | M | MM | N | O | Q | T | V | WF | Note 1 X |
| $\phi 32$ | 22 | 17 | 19.5 | Rc1/8 | 6.5 | 27 | 30 | 46 | M10 x 1.25 | 84 (90) | 4 | 12 | 4 | 52 | 13 | 6 | 13 | 25 | 135 (141) |
| $\phi 40$ | 30 | 22 | 27 | Rc1/4 | 9 | 27 | 35 | 52 | M14 x 1.5 | 84 (90) | 4 | 16 | 4 | 58 | 14 | 8 | 13 | 21 | 139 (145) |
| $\phi 50$ | 35 | 27 | 32 | Rc1/4 | 10.5 | 31.5 | 40 | 65 | M18 x 1.5 | 94 (102) | 5 | 20 | 4 | 68 | 15.5 | 11 | 14 | 23 | 156 (164) |
| $\phi 63$ | 35 | 27 | 32 | Rc3/8 | 12 | 31.5 | 45 | 75 | M18 x 1.5 | 94 (102) | 9 | 20 | 4 | 78 | 16.5 | 11 | 14 | 23 | 156 (164) |
| $\phi 80$ | 40 | 32 | 37 | Rc3/8 | 14 | 38 | 45 | 95 | M22 x 1.5 | 114 (124) | 11.5 | 25 | 4 | 95 | 19 | 13 | 20 | 32 | 190 (200) |
| $\phi 100$ | 40 | 41 | 37 | Rc1/2 | 15 | 38 | 55 | 114 | M26 x 1.5 | 114 (124) | 17 | 30 | 4 | 114 | 19 | 16 | 20 | 32 | 190 (200) |

| Symbol | Installation dimensions | | | | | | | | | With bellows | | | | | | | | | | | | | |
|----------------|-------------------------|----|----|-----------|----|----|-----|-----|-----|--------------|------|----|----|------------|-----------|------------|------------|------------|------------|------------|------------|------------|------------|
| | FC | FD | FF | Note 1 FG | FJ | MT | FH | FL | FM | A | b | d | WF | l | | | | | | | | | |
| Bore size (mm) | | | | | | | | | | | | | | 50 or less | 50 to 100 | 100 to 150 | 150 to 200 | 200 to 300 | 300 to 400 | 400 to 500 | 500 to 600 | 600 to 700 | 700 to 800 |
| $\phi 32$ | 32 | 7 | 15 | 98 (104) | 29 | 10 | 50 | 64 | 79 | 22 | 31.5 | 30 | 25 | 26 | 39 | 51 | 64 | 89 | 114 | 139 | - | - | - |
| $\phi 40$ | 36 | 9 | 11 | 98 (104) | 30 | 10 | 55 | 72 | 90 | 30 | 35 | 40 | 21 | 30 | 43 | 55 | 68 | 93 | 118 | 143 | - | - | - |
| $\phi 50$ | 45 | 9 | 11 | 110 (118) | 38 | 12 | 70 | 90 | 110 | 35 | 42 | 47 | 23 | 31 | 44 | 56 | 69 | 94 | 119 | 144 | 169 | - | - |
| $\phi 63$ | 50 | 9 | 11 | 110 (118) | 38 | 12 | 80 | 100 | 120 | 35 | 42 | 47 | 23 | 31 | 44 | 56 | 69 | 94 | 119 | 144 | 169 | - | - |
| $\phi 80$ | 63 | 12 | 16 | 134 (144) | 43 | 16 | 100 | 126 | 153 | 40 | 50 | 53 | 32 | 29 | 42 | 54 | 67 | 92 | 117 | 142 | 167 | 192 | 217 |
| $\phi 100$ | 75 | 14 | 16 | 134 (144) | 51 | 16 | 120 | 150 | 178 | 40 | 52.5 | 61 | 32 | 29 | 42 | 54 | 67 | 92 | 117 | 142 | 167 | 192 | 217 |

| Symbol | With switch | | | | |
|------------|-------------|-----------|-------------|------------|----|
| | GC Note 1 | GD Note 1 | RD Note 1 | HD Note 1 | P |
| $\phi 32$ | 1 (4) | 1 (4) | 5 (8) | 5 (8) | 25 |
| $\phi 40$ | 1 (4) | 1 (4) | 5 (8) | 5 (8) | 29 |
| $\phi 50$ | 2.5 (6.5) | 1 (5) | 6.5 (10.5) | 5 (9) | 34 |
| $\phi 63$ | 2.5 (6.5) | 1 (5) | 6.5 (10.5) | 5 (9) | 40 |
| $\phi 80$ | 8.5 (13.5) | 2 (7) | 12.5 (17.5) | 6 (11) | - |
| $\phi 100$ | 8 (13) | 2.5 (7.5) | 12 (17) | 6.5 (11.5) | - |

Note 3: Refer to page 426 for the HD, RD and projecting dimensions of 2-color indicators with preventive maintenance output.

Note 4: Refer to pages 428, 429 for accessory dimensions.

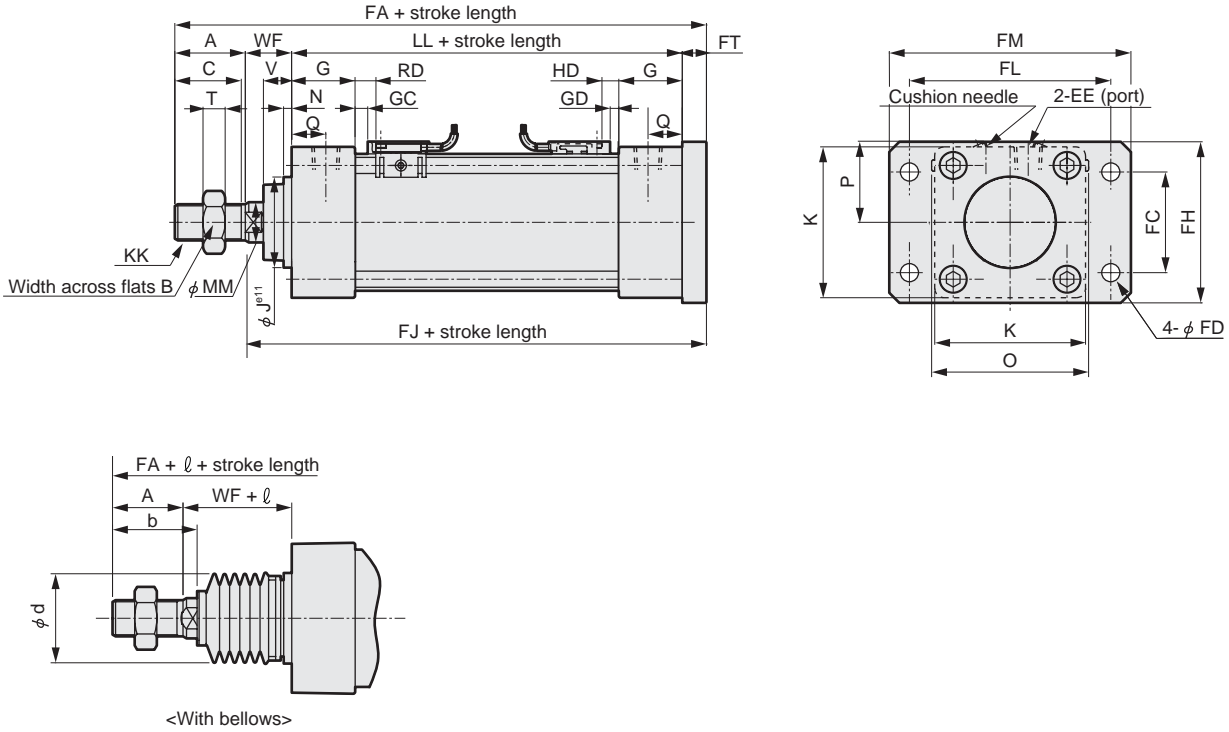
SCP*2
CMK2
CMA2
SCM
SCG
SCA2
SCS
CKV2
CA/OV2
SSD
CAT
MDC2
MVC
SMD2
MSD*
FC*
STK
ULK*
JSK/M2
JSG
JSC3
USSD
USC
JSB3
LMB
STG
STS/L
LCS
LCG
LCM
LCT
LCY
STR2
UCA2
HCM
HCA
SRL2
SRG
SRM
SRT
MRL2
MRG2
SM-25
CAC3
UCAC
RCC2
MFC
SHC
GLC
Ending

Tie rod cylinder
Standard type

Dimensions



● Head end flange type (FB)



Note 1: Dimensions shown in parentheses are for the rubber cushion type. This type is longer than the air cushion type.

($\phi 32, \phi 40$; +6 mm, $\phi 50, \phi 63$; +8 mm, $\phi 80, \phi 100$; +10 mm)

Note 2: RD and HD in the dimensions indicate the switch end positions, and GC and DC indicate the switch rail end positions.

| Head end flange type (FB) basic dimensions | | | | | | | | | | | | | | | | | |
|--|----|----|------|-------|------|------|----|-----|------------|-----------|------|----|-----|------|----|----|----|
| Symbol | A | B | C | EE | F | G | J | K | KK | Note 1 LL | M | MM | O | Q | T | V | WF |
| $\phi 32$ | 22 | 17 | 19.5 | Rc1/8 | 6.5 | 27 | 30 | 46 | M10 x 1.25 | 84 (90) | 4 | 12 | 52 | 13 | 6 | 13 | 25 |
| $\phi 40$ | 30 | 22 | 27 | Rc1/4 | 9 | 27 | 35 | 52 | M14 x 1.5 | 84 (90) | 4 | 16 | 58 | 14 | 8 | 13 | 21 |
| $\phi 50$ | 35 | 27 | 32 | Rc1/4 | 10.5 | 31.5 | 40 | 65 | M18 x 1.5 | 94 (102) | 5 | 20 | 68 | 15.5 | 11 | 14 | 23 |
| $\phi 63$ | 35 | 27 | 32 | Rc3/8 | 12 | 31.5 | 45 | 75 | M18 x 1.5 | 94 (102) | 9 | 20 | 78 | 16.5 | 11 | 14 | 23 |
| $\phi 80$ | 40 | 32 | 37 | Rc3/8 | 14 | 38 | 45 | 95 | M22 x 1.5 | 114 (124) | 11.5 | 25 | 95 | 19 | 13 | 20 | 32 |
| $\phi 100$ | 40 | 41 | 37 | Rc1/2 | 15 | 38 | 55 | 114 | M26 x 1.5 | 114 (124) | 17 | 30 | 114 | 19 | 16 | 20 | 32 |

| Symbol | Installation dimensions | | | | | | | With bellows | | | | | | | | | | | | | | |
|------------|-------------------------|----|----|-----------|-----|-----|----|--------------|------|----|----|------------|----|----|----|----|-----|-----|-----|-----|-----|---|
| | Note 1 FA | FC | FD | Note 1 FJ | FL | FM | FT | A | b | d | WF | ℓ | | | | | | | | | | |
| $\phi 32$ | 141 (147) | 32 | 7 | 119 (125) | 64 | 79 | 10 | 22 | 31.5 | 30 | 25 | 50 or less | 26 | 39 | 51 | 64 | 89 | 114 | 139 | - | - | - |
| $\phi 40$ | 145 (151) | 36 | 9 | 115 (121) | 72 | 90 | 10 | 30 | 35 | 40 | 21 | 30 | 43 | 55 | 68 | 93 | 118 | 143 | - | - | - | |
| $\phi 50$ | 164 (172) | 45 | 9 | 129 (137) | 90 | 110 | 12 | 35 | 42 | 47 | 23 | 31 | 44 | 56 | 69 | 94 | 119 | 144 | 169 | - | - | |
| $\phi 63$ | 164 (172) | 50 | 9 | 129 (137) | 100 | 120 | 12 | 35 | 42 | 47 | 23 | 31 | 44 | 56 | 69 | 94 | 119 | 144 | 169 | - | - | |
| $\phi 80$ | 202 (212) | 63 | 12 | 162 (172) | 126 | 153 | 16 | 40 | 50 | 53 | 32 | 29 | 42 | 54 | 67 | 92 | 117 | 142 | 167 | 192 | 217 | |
| $\phi 100$ | 202 (212) | 75 | 14 | 162 (172) | 150 | 178 | 16 | 40 | 52.5 | 61 | 32 | 29 | 42 | 54 | 67 | 92 | 117 | 142 | 167 | 192 | 217 | |

| Symbol | With switch | | | | |
|------------|-------------|-----------|-------------|------------|----|
| | GC Note 1 | GD Note 1 | RD Note 1 | HD Note 1 | P |
| $\phi 32$ | 1 (4) | 1 (4) | 5 (8) | 5 (8) | 25 |
| $\phi 40$ | 1 (4) | 1 (4) | 5 (8) | 5 (8) | 29 |
| $\phi 50$ | 2.5 (6.5) | 1 (5) | 6.5 (10.5) | 5 (9) | 34 |
| $\phi 63$ | 2.5 (6.5) | 1 (5) | 6.5 (10.5) | 5 (9) | 40 |
| $\phi 80$ | 8.5 (13.5) | 2 (7) | 12.5 (17.5) | 6 (11) | - |
| $\phi 100$ | 8 (13) | 2.5 (7.5) | 12 (17) | 6.5 (11.5) | - |

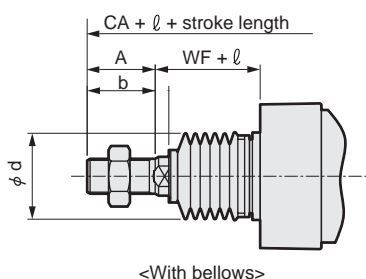
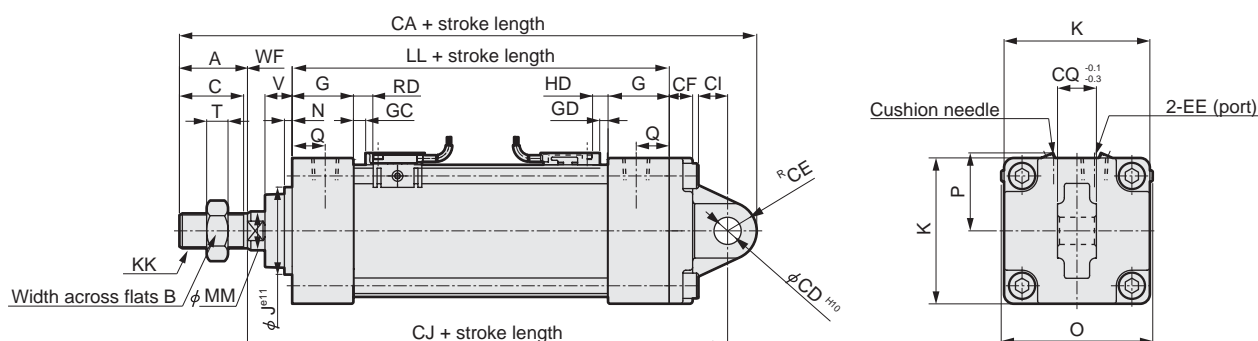
Note 3: Refer to page 426 for the HD, RD and projecting dimensions of 2-color indicators with preventive maintenance output.

Note 4: Refer to pages 428, 429 for accessory dimensions.

Dimensions



● Eye bracket type (CA)



Note 1: Dimensions shown in parentheses are for the rubber cushion type. This type is longer than the air cushion type.

(φ 32, φ 40; +6 mm, φ 50, φ 63; +8 mm, φ 80, φ 100; +10 mm)

Note 2: RD and HD in the dimensions indicate the switch end positions, and GC and DC indicate the switch rail end positions.

| Symbol | Eye bracket type (CA) basic dimensions | | | | | | | | | | | | | | | |
|----------------|--|----|------|-------|------|------|----|-----|------------|-----------|------|-----|------|----|----|----|
| Bore size (mm) | A | B | C | EE | F | G | J | K | KK | Note 1 LL | M | O | Q | T | V | WF |
| φ 32 | 22 | 17 | 19.5 | Rc1/8 | 6.5 | 27 | 30 | 46 | M10 x 1.25 | 84 (90) | 4 | 52 | 13 | 6 | 13 | 25 |
| φ 40 | 30 | 22 | 27 | Rc1/4 | 9 | 27 | 35 | 52 | M14 x 1.5 | 84 (90) | 4 | 58 | 14 | 8 | 13 | 21 |
| φ 50 | 35 | 27 | 32 | Rc1/4 | 10.5 | 31.5 | 40 | 65 | M18 x 1.5 | 94 (102) | 5 | 68 | 15.5 | 11 | 14 | 23 |
| φ 63 | 35 | 27 | 32 | Rc3/8 | 12 | 31.5 | 45 | 75 | M18 x 1.5 | 94 (102) | 9 | 78 | 16.5 | 11 | 14 | 23 |
| φ 80 | 40 | 32 | 37 | Rc3/8 | 14 | 38 | 45 | 95 | M22 x 1.5 | 114 (124) | 11.5 | 95 | 19 | 13 | 20 | 32 |
| φ 100 | 40 | 41 | 37 | Rc1/2 | 15 | 38 | 55 | 114 | M26 x 1.5 | 114 (124) | 17 | 114 | 19 | 16 | 20 | 32 |

| Symbol | Installation dimensions | | | | | | | With bellows | | | | | | | | | | | | | | | | |
|----------------|-------------------------|----|------|----|----|-----------|----|--------------|------|----|----|------------|-----------|------------|------------|------------|------------|------------|------------|------------|------------|--|--|--|
| | Note 1 CA | CD | CE | CF | CI | Note 1 CJ | CQ | A | b | d | WF | ℓ | | | | | | | | | | | | |
| Bore size (mm) | | | | | | | | | | | | 50 or less | 50 to 100 | 100 to 150 | 150 to 200 | 200 to 300 | 300 to 400 | 400 to 500 | 500 to 600 | 600 to 700 | 700 to 800 | | | |
| φ 32 | 164.5 (170.5) | 10 | 10.5 | 9 | 13 | 132 (138) | 14 | 22 | 31.5 | 30 | 25 | 26 | 39 | 51 | 64 | 89 | 114 | 139 | - | - | - | | | |
| φ 40 | 169 (175) | 10 | 11 | 9 | 13 | 128 (134) | 14 | 30 | 35 | 40 | 21 | 30 | 43 | 55 | 68 | 93 | 118 | 143 | - | - | - | | | |
| φ 50 | 197 (205) | 14 | 15 | 12 | 17 | 147 (155) | 20 | 35 | 42 | 47 | 23 | 31 | 44 | 56 | 69 | 94 | 119 | 144 | 169 | - | - | | | |
| φ 63 | 197 (205) | 14 | 15 | 12 | 17 | 147 (155) | 20 | 35 | 42 | 47 | 23 | 31 | 44 | 56 | 69 | 94 | 119 | 144 | 169 | - | - | | | |
| φ 80 | 251 (261) | 22 | 23 | 15 | 26 | 188 (198) | 30 | 40 | 50 | 53 | 32 | 29 | 42 | 54 | 67 | 92 | 117 | 142 | 167 | 192 | 217 | | | |
| φ 100 | 251 (261) | 22 | 23 | 15 | 26 | 188 (198) | 30 | 40 | 52.5 | 61 | 32 | 29 | 42 | 54 | 67 | 92 | 117 | 142 | 167 | 192 | 217 | | | |

| Symbol | With switch | | | | |
|--------|-------------|-----------|-------------|------------|----|
| | GC Note 1 | GD Note 1 | RD Note 1 | HD Note 1 | P |
| φ 32 | 1 (4) | 1 (4) | 5 (8) | 5 (8) | 25 |
| φ 40 | 1 (4) | 1 (4) | 5 (8) | 5 (8) | 29 |
| φ 50 | 2.5 (6.5) | 1 (5) | 6.5 (10.5) | 5 (9) | 34 |
| φ 63 | 2.5 (6.5) | 1 (5) | 6.5 (10.5) | 5 (9) | 40 |
| φ 80 | 8.5 (13.5) | 2 (7) | 12.5 (17.5) | 6 (11) | - |
| φ 100 | 8 (13) | 2.5 (7.5) | 12 (17) | 6.5 (11.5) | - |

Note 3: Refer to page 426 for the HD, RD and projecting dimensions of 2-color indicators with preventive maintenance output.

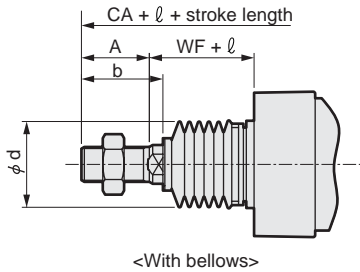
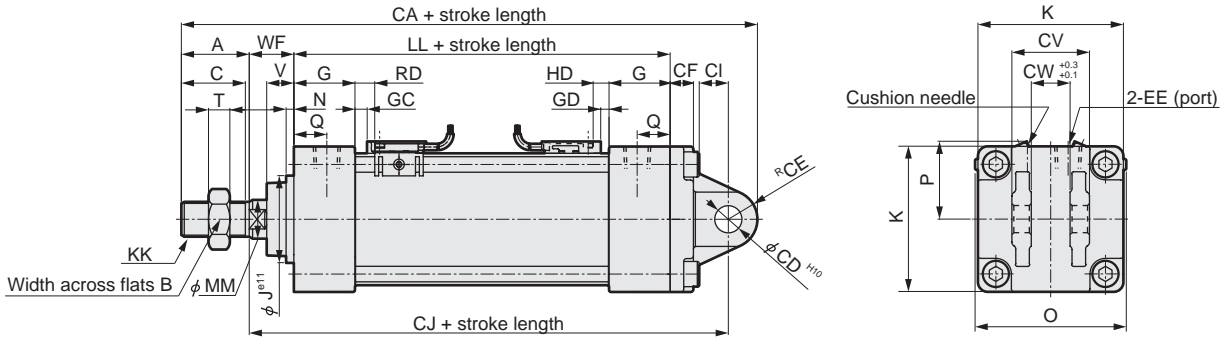
Note 4: Refer to pages 428, 429 for accessory dimensions.

SCP*2
CMK2
CMA2
SCM
SCG
SCA2
SCS
CKV2
CA/OV2
SSD
CAT
MDC2
MVC
SMD2
MSD*
FC*
STK
ULK*
JSK/M2
JSG
JSC3
USSD
USC
JSB3
LMB
STG
STS/L
LCS
LCG
LCM
LCT
LCY
STR2
UCA2
HCM
HCA
SRL2
SRG
SRM
SRT
MRL2
MRG2
SM-25
CAC3
UCAC
RCC2
MFC
SHC
GLC
Ending
Tie rod cylinder
Standard type

Dimensions



● Clevis bracket type (CB)



Note 1: Dimensions shown in parentheses are for the rubber cushion type. This type is longer than the air cushion type.

($\phi 32, \phi 40$; +6 mm, $\phi 50, \phi 63$; +8 mm, $\phi 80, \phi 100$; +10 mm)

Note 2: Pin, split pin and plain washer are included.

Note 3: RD and HD in the dimensions indicate the switch end positions, and GC and GD indicate the switch rail end positions.

| Symbol | Clevis bracket type (CB) basic dimensions. | | | | | | | | | | | | | | | | Installation dimensions | | |
|------------|--|----|------|-------|------|------|----|-----|------------|-----------|------|----|-----|------|----|----|-------------------------|---------------|----|
| | A | B | C | EE | F | G | J | K | KK | Note 1 LL | M | MM | O | Q | T | V | WF | Note 1 CA | CD |
| $\phi 32$ | 22 | 17 | 19.5 | Rc1/8 | 6.5 | 27 | 30 | 46 | M10 x 1.25 | 84 (90) | 4 | 12 | 52 | 13 | 6 | 13 | 25 | 164.5 (170.5) | 10 |
| $\phi 40$ | 30 | 22 | 27 | Rc1/4 | 9 | 27 | 35 | 52 | M14 x 1.5 | 84 (90) | 4 | 16 | 58 | 14 | 8 | 13 | 21 | 169 (175) | 10 |
| $\phi 50$ | 35 | 27 | 32 | Rc1/4 | 10.5 | 31.5 | 40 | 65 | M18 x 1.5 | 94 (102) | 5 | 20 | 68 | 15.5 | 11 | 14 | 23 | 197 (205) | 14 |
| $\phi 63$ | 35 | 27 | 32 | Rc3/8 | 12 | 31.5 | 45 | 75 | M18 x 1.5 | 94 (102) | 9 | 20 | 78 | 16.5 | 11 | 14 | 23 | 197 (205) | 14 |
| $\phi 80$ | 40 | 32 | 37 | Rc3/8 | 14 | 38 | 45 | 95 | M22 x 1.5 | 114 (124) | 11.5 | 25 | 95 | 19 | 13 | 20 | 32 | 251 (261) | 22 |
| $\phi 100$ | 40 | 41 | 37 | Rc1/2 | 15 | 38 | 55 | 114 | M26 x 1.5 | 114 (124) | 17 | 30 | 114 | 19 | 16 | 20 | 32 | 251 (261) | 22 |

| Symbol | With bellows | | | | | | | | | | | | | | | | | | | |
|----------------|--------------|----|----|-----------|----|----|----|------|----|----|------------|-----------|------------|------------|------------|------------|------------|------------|------------|------------|
| | CE | CF | CI | Note 1 CJ | CV | CW | A | b | d | WF | l | | | | | | | | | |
| Bore size (mm) | | | | | | | | | | | 50 or less | 50 to 100 | 100 to 150 | 150 to 200 | 200 to 300 | 300 to 400 | 400 to 500 | 500 to 600 | 600 to 700 | 700 to 800 |
| $\phi 32$ | 10.5 | 9 | 13 | 132 (138) | 28 | 14 | 22 | 31.5 | 30 | 25 | 26 | 39 | 51 | 64 | 89 | 114 | 139 | - | - | - |
| $\phi 40$ | 11 | 9 | 13 | 128 (134) | 28 | 14 | 30 | 35 | 40 | 21 | 30 | 43 | 55 | 68 | 93 | 118 | 143 | - | - | - |
| $\phi 50$ | 15 | 12 | 17 | 147 (155) | 40 | 20 | 35 | 42 | 47 | 23 | 31 | 44 | 56 | 69 | 94 | 119 | 144 | 169 | - | - |
| $\phi 63$ | 15 | 12 | 17 | 147 (155) | 40 | 20 | 35 | 42 | 47 | 23 | 31 | 44 | 56 | 69 | 94 | 119 | 144 | 169 | - | - |
| $\phi 80$ | 23 | 15 | 26 | 188 (198) | 60 | 30 | 40 | 50 | 53 | 32 | 29 | 42 | 54 | 67 | 92 | 117 | 142 | 167 | 192 | 217 |
| $\phi 100$ | 23 | 15 | 26 | 188 (198) | 60 | 30 | 40 | 52.5 | 61 | 32 | 29 | 42 | 54 | 67 | 92 | 117 | 142 | 167 | 192 | 217 |

| Symbol | With switch | | | | |
|------------|-------------|-----------|-------------|------------|----|
| | GC Note 1 | GD Note 1 | RD Note 1 | HD Note 1 | P |
| $\phi 32$ | 1 (4) | 1 (4) | 5 (8) | 5 (8) | 25 |
| $\phi 40$ | 1 (4) | 1 (4) | 5 (8) | 5 (8) | 29 |
| $\phi 50$ | 2.5 (6.5) | 1 (5) | 6.5 (10.5) | 5 (9) | 34 |
| $\phi 63$ | 2.5 (6.5) | 1 (5) | 6.5 (10.5) | 5 (9) | 40 |
| $\phi 80$ | 8.5 (13.5) | 2 (7) | 12.5 (17.5) | 6 (11) | - |
| $\phi 100$ | 8 (13) | 2.5 (7.5) | 12 (17) | 6.5 (11.5) | - |

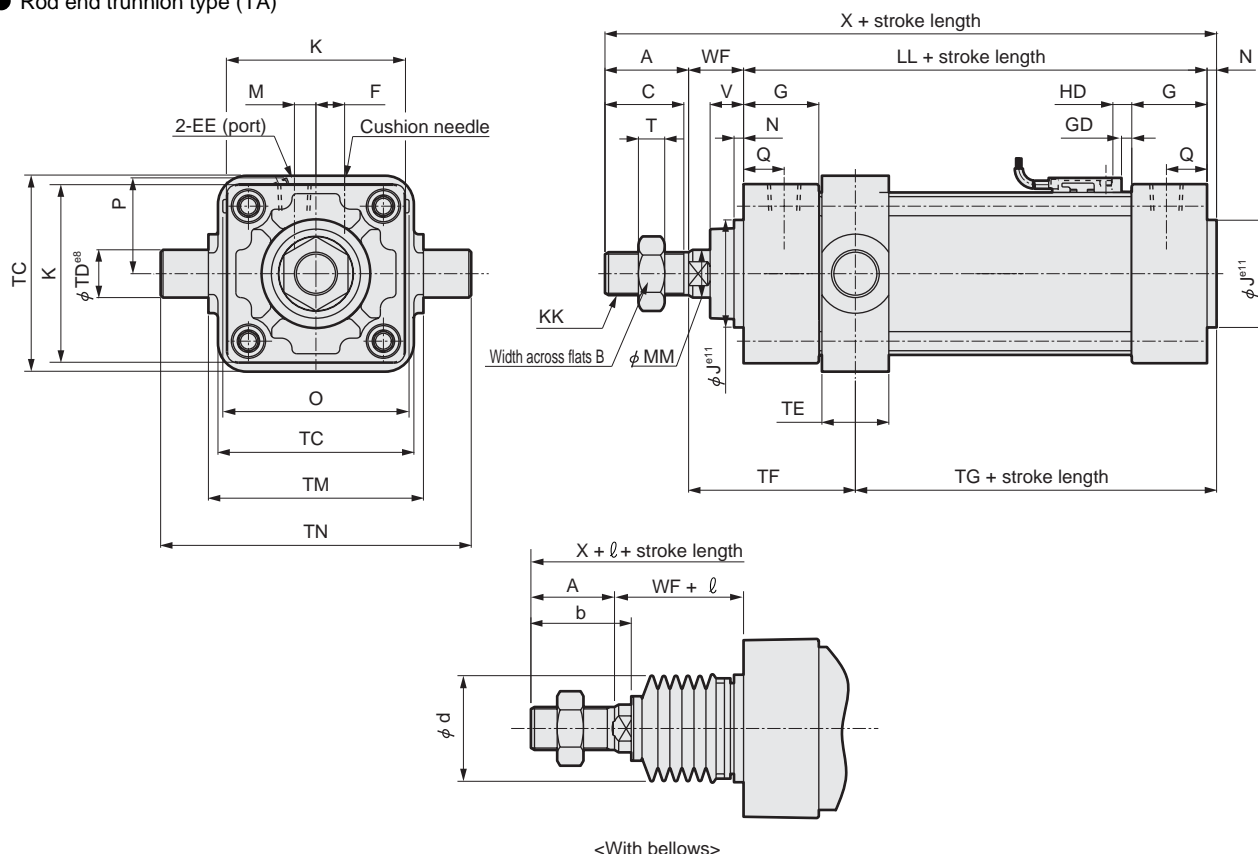
Note 4: Refer to page 426 for the HD, RD and projecting dimensions of 2-color indicators with preventive maintenance output.

Note 5: Refer to pages 428, 429 for accessory dimensions.

Dimensions



● Rod end trunnion type (TA)



Note 1: Dimensions shown in parentheses are for the rubber cushion type. This type is longer than the air cushion type.

(ϕ 32, ϕ 40; +6 mm, ϕ 50, ϕ 63; +8 mm, ϕ 80, ϕ 100; ϕ 10 mm)

Note 2: Switches can not be installed on the rod end.

Note 3: HD in the dimensions indicate the switch end positions, and GD indicate the switch rail end positions.

| Symbol | Rod end trunnion type (TA) basic dimensions | | | | | | | | | | | | | | | | | |
|------------|---|----|------|-------|------|------|----|-----|------------|-----------|------|----|---|-----|------|----|----|----|
| | A | B | C | EE | F | G | J | K | KK | Note 1 LL | M | MM | N | O | Q | T | V | WF |
| ϕ 32 | 22 | 17 | 19.5 | Rc1/8 | 6.5 | 27 | 30 | 46 | M10 x 1.25 | 84 (90) | 4 | 12 | 4 | 52 | 13 | 6 | 13 | 25 |
| ϕ 40 | 30 | 22 | 27 | Rc1/4 | 9 | 27 | 35 | 52 | M14 x 1.5 | 84 (90) | 4 | 16 | 4 | 58 | 14 | 8 | 13 | 21 |
| ϕ 50 | 35 | 27 | 32 | Rc1/4 | 10.5 | 31.5 | 40 | 65 | M18 x 1.5 | 94 (102) | 5 | 20 | 4 | 68 | 15.5 | 11 | 14 | 23 |
| ϕ 63 | 35 | 27 | 32 | Rc3/8 | 12 | 31.5 | 45 | 75 | M18 x 1.5 | 94 (102) | 9 | 20 | 4 | 78 | 16.5 | 11 | 14 | 23 |
| ϕ 80 | 40 | 32 | 37 | Rc3/8 | 14 | 38 | 45 | 95 | M22 x 1.5 | 114 (124) | 11.5 | 25 | 4 | 95 | 19 | 13 | 20 | 32 |
| ϕ 100 | 40 | 41 | 37 | Rc1/2 | 15 | 38 | 55 | 114 | M26 x 1.5 | 114 (124) | 17 | 30 | 4 | 114 | 19 | 16 | 20 | 32 |

| Symbol | Note 1 X | Installation dimensions | | | | | | | With switch | | | With bellows | | | | | | |
|------------|-----------|-------------------------|----|----|------|-------------|-----|-----|-------------|------------|----|--------------|------|----|----|--------|----|----|
| | | TC | TD | TE | TF | Note 1 TG | TM | TN | Note 1 GD | Note 1 HD | P | A | b | d | WF | ℓ | | |
| ϕ 32 | 135 (141) | 47 | 12 | 17 | 61.5 | 51.5 (57.5) | 50 | 74 | 1 (4) | 5 (8) | 25 | 22 | 31.5 | 30 | 25 | 26 | 39 | 51 |
| ϕ 40 | 139 (145) | 57 | 16 | 22 | 60 | 49 (55) | 63 | 95 | 1 (4) | 5 (8) | 29 | 30 | 35 | 40 | 21 | 30 | 43 | 55 |
| ϕ 50 | 156 (164) | 67 | 16 | 22 | 66.5 | 54.5 (62.5) | 75 | 107 | 1 (5) | 5 (9) | 34 | 35 | 42 | 47 | 23 | 31 | 44 | 56 |
| ϕ 63 | 156 (164) | 82 | 20 | 28 | 69.5 | 51.5 (59.5) | 90 | 130 | 1 (5) | 5 (9) | 40 | 35 | 42 | 47 | 23 | 31 | 44 | 56 |
| ϕ 80 | 190 (200) | 100 | 20 | 34 | 88 | 62 (72) | 110 | 150 | 2 (7) | 6 (11) | - | 40 | 50 | 53 | 32 | 29 | 42 | 54 |
| ϕ 100 | 190 (200) | 121 | 25 | 40 | 91 | 59 (69) | 132 | 182 | 2.5 (7.5) | 6.5 (11.5) | - | 40 | 52.5 | 61 | 32 | 29 | 42 | 54 |

| Symbol | With bellows | | | | | | |
|----------------|--------------|------------|------------|------------|------------|------------|------------|
| | ℓ | | | | | | |
| Bore size (mm) | 150 to 200 | 200 to 300 | 300 to 400 | 400 to 500 | 500 to 600 | 600 to 700 | 700 to 800 |
| ϕ 32 | 64 | 89 | 114 | 139 | - | - | - |
| ϕ 40 | 68 | 93 | 118 | 143 | - | - | - |
| ϕ 50 | 69 | 94 | 119 | 144 | 169 | - | - |
| ϕ 63 | 69 | 94 | 119 | 144 | 169 | - | - |
| ϕ 80 | 67 | 92 | 117 | 142 | 167 | 192 | 217 |
| ϕ 100 | 67 | 92 | 117 | 142 | 167 | 192 | 217 |

Note 4: Refer to page 426 for the HD, RD and projecting dimensions of 2-color indicators with preventive maintenance output.

Note 5: Refer to pages 428, 429 for accessory dimensions.

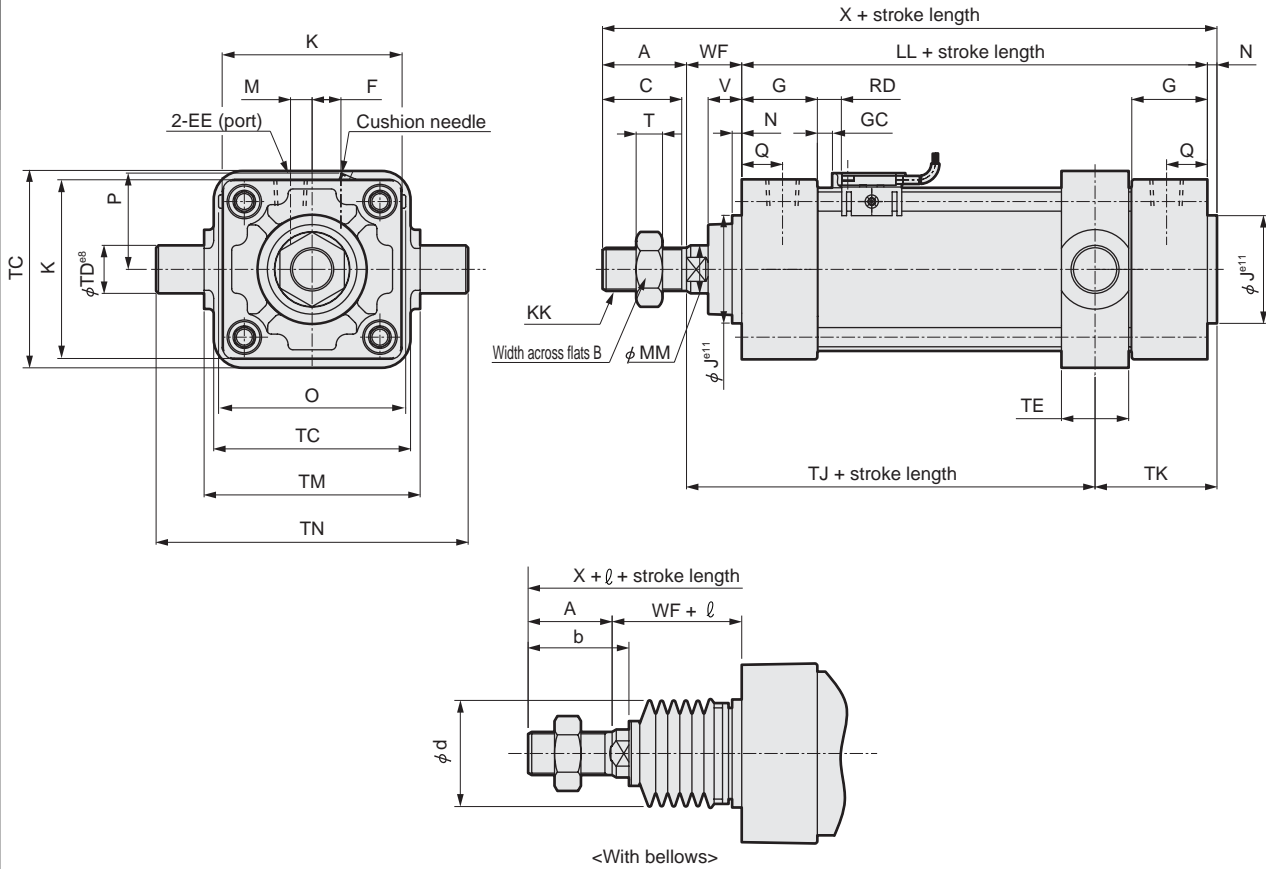
SCP*2
CMK2
CMA2
SCM
SCG
SCA2
SCS
CKV2
CA/OV2
SSD
CAT
MDC2
MVC
SMD2
MSD*
FC*
STK
ULK*
JSK/M2
JSG
JSC3
USSD
USC
JSB3
LMB
STG
STS/L
LCS
LCG
LCM
LCT
LCY
STR2
UCA2
HCM
HCA
SRL2
SRG
SRM
SRT
MRL2
MRG2
SM-25
CAC3
UCAC
RCC2
MFC
SHC
GLC

Ending
Tie rod cylinder
Standard type

Dimensions



● Head end trunnion type (TB)



Note 1: Dimensions shown in parentheses are for the rubber cushion type. This type is longer than the air cushion type.
($\phi 32, \phi 40$; +6 mm, $\phi 50, \phi 63$; +8 mm, $\phi 80, \phi 100$; $\phi 10$ mm)

Note 2: Switches can not be installed on the head end.

Note 3: RD in the dimensions indicate the switch end positions, and GC indicate the switch rail end positions.

| Symbol | Head end trunnion type (TB) basic dimensions | | | | | | | | | | | | | | | | | |
|----------------|--|----|------|-------|------|------|----|-----|------------|-----------|------|----|---|-----|------|----|----|----|
| Bore size (mm) | A | B | C | EE | F | G | J | K | KK | Note 1 LL | M | MM | N | O | Q | T | V | WF |
| $\phi 32$ | 22 | 17 | 19.5 | Rc1/8 | 6.5 | 27 | 30 | 46 | M10 x 1.25 | 84 (90) | 4 | 12 | 4 | 52 | 13 | 6 | 13 | 25 |
| $\phi 40$ | 30 | 22 | 27 | Rc1/4 | 9 | 27 | 35 | 52 | M14 x 1.5 | 84 (90) | 4 | 16 | 4 | 58 | 14 | 8 | 13 | 21 |
| $\phi 50$ | 35 | 27 | 32 | Rc1/4 | 10.5 | 31.5 | 40 | 65 | M18 x 1.5 | 94 (102) | 5 | 20 | 4 | 68 | 15.5 | 11 | 14 | 23 |
| $\phi 63$ | 35 | 27 | 32 | Rc3/8 | 12 | 31.5 | 45 | 75 | M18 x 1.5 | 94 (102) | 9 | 20 | 4 | 78 | 16.5 | 11 | 14 | 23 |
| $\phi 80$ | 40 | 32 | 37 | Rc3/8 | 14 | 38 | 45 | 95 | M22 x 1.5 | 114 (124) | 11.5 | 25 | 4 | 95 | 19 | 13 | 20 | 32 |
| $\phi 100$ | 40 | 41 | 37 | Rc1/2 | 15 | 38 | 55 | 114 | M26 x 1.5 | 114 (124) | 17 | 30 | 4 | 114 | 19 | 16 | 20 | 32 |

| Symbol | Installation dimensions | | | | | | | | With switch | | | With bellows | | | | | | |
|----------------|-------------------------|-----|----|----|-------------|------|-----|-----|-------------|-------------|----|--------------|------|----|----|------------|-----------|------------|
| | Note 1 X | TC | TD | TE | Note 1 TJ | TK | TM | TN | Note 1 GC | Note 1 RD | P | A | b | d | WF | l | | |
| Bore size (mm) | | | | | | | | | | | | | | | | 50 or less | 50 to 100 | 100 to 150 |
| $\phi 32$ | 135 (141) | 47 | 12 | 17 | 72.5 (78.5) | 40.5 | 50 | 74 | 1 (4) | 5 (8) | 25 | 22 | 31.5 | 30 | 25 | 26 | 39 | 51 |
| $\phi 40$ | 139 (145) | 57 | 16 | 22 | 66 (72) | 43 | 63 | 95 | 1 (4) | 5 (8) | 29 | 30 | 35 | 40 | 21 | 30 | 43 | 55 |
| $\phi 50$ | 156 (164) | 67 | 16 | 22 | 73.5 (81.5) | 47.5 | 75 | 107 | 2.5 (6.5) | 6.5 (10.5) | 34 | 35 | 42 | 47 | 23 | 31 | 44 | 56 |
| $\phi 63$ | 156 (164) | 82 | 20 | 28 | 70.5 (78.5) | 50.5 | 90 | 130 | 2.5 (6.5) | 6.5 (10.5) | 40 | 35 | 42 | 47 | 23 | 31 | 44 | 56 |
| $\phi 80$ | 190 (200) | 100 | 20 | 34 | 90 (100) | 60 | 110 | 150 | 8.5 (13.5) | 12.5 (17.5) | - | 40 | 50 | 53 | 32 | 29 | 42 | 54 |
| $\phi 100$ | 190 (200) | 121 | 25 | 40 | 87 (97) | 63 | 132 | 182 | 8 (13) | 12 (17) | - | 40 | 52.5 | 61 | 32 | 29 | 42 | 54 |

| Symbol | With bellows | | | | | | |
|----------------|--------------|------------|------------|------------|------------|------------|------------|
| | l | | | | | | |
| Bore size (mm) | 150 to 200 | 200 to 300 | 300 to 400 | 400 to 500 | 500 to 600 | 600 to 700 | 700 to 800 |
| $\phi 32$ | 64 | 89 | 114 | 139 | - | - | - |
| $\phi 40$ | 68 | 93 | 118 | 143 | - | - | - |
| $\phi 50$ | 69 | 94 | 119 | 144 | 169 | - | - |
| $\phi 63$ | 69 | 94 | 119 | 144 | 169 | - | - |
| $\phi 80$ | 67 | 92 | 117 | 142 | 167 | 192 | 217 |
| $\phi 100$ | 67 | 92 | 117 | 142 | 167 | 192 | 217 |

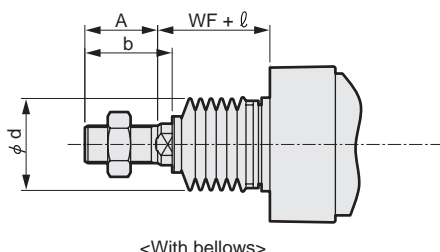
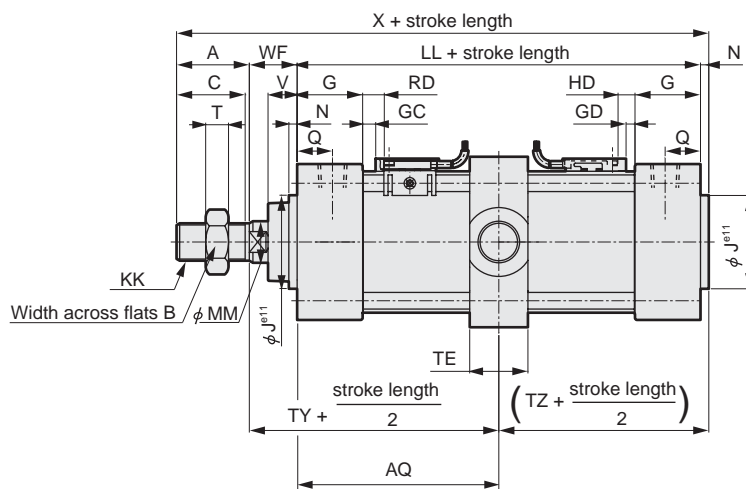
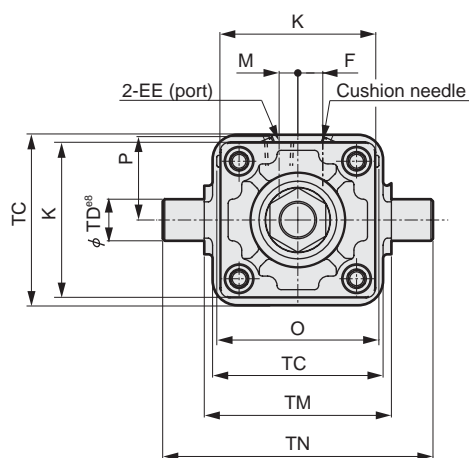
Note 4: Refer to page 426 for the HD, RD and projecting dimensions of 2-color indicators with preventive maintenance output.

Note 5: Refer to pages 428, 429 for accessory dimensions.

Dimensions



● Center trunnion type (TC)



Note 1: Dimensions shown in parentheses are for the rubber cushion type. This type is longer than the air cushion type.

(φ 32, φ 40; +6 mm, φ 50, φ 63; +8 mm, φ 80, φ 100; +10 mm)

Note 2: RD and HD in the dimensions indicate the switch end positions, and GC and DC indicate the switch rail end positions.

| Symbol | Center trunnion type (TC) basic dimensions | | | | | | | | | | | | | | | | | |
|--------|--|----|------|-------|------|------|----|-----|------------|-----------|------|----|---|-----|------|----|----|----|
| | A | B | C | EE | F | G | J | K | KK | Note 1 LL | M | MM | N | O | Q | T | V | WF |
| φ 32 | 22 | 17 | 19.5 | Rc1/8 | 6.5 | 27 | 30 | 46 | M10 x 1.25 | 84 (90) | 4 | 12 | 4 | 52 | 13 | 6 | 13 | 25 |
| φ 40 | 30 | 22 | 27 | Rc1/4 | 9 | 27 | 35 | 52 | M14 x 1.5 | 84 (90) | 4 | 16 | 4 | 58 | 14 | 8 | 13 | 21 |
| φ 50 | 35 | 27 | 32 | Rc1/4 | 10.5 | 31.5 | 40 | 65 | M18 x 1.5 | 94 (102) | 5 | 20 | 4 | 68 | 15.5 | 11 | 14 | 23 |
| φ 63 | 35 | 27 | 32 | Rc3/8 | 12 | 31.5 | 45 | 75 | M18 x 1.5 | 94 (102) | 9 | 20 | 4 | 78 | 16.5 | 11 | 14 | 23 |
| φ 80 | 40 | 32 | 37 | Rc3/8 | 14 | 38 | 45 | 95 | M22 x 1.5 | 114 (124) | 11.5 | 25 | 4 | 95 | 19 | 13 | 20 | 32 |
| φ 100 | 40 | 41 | 37 | Rc1/2 | 15 | 38 | 55 | 114 | M26 x 1.5 | 114 (124) | 17 | 30 | 4 | 114 | 19 | 16 | 20 | 32 |

| Symbol | Note 1 X | Installation dimensions | | | | | | | | With bellows | | | | | | | | |
|----------------|-----------|-----------------------------|-----|----|----|-----|-----|-----------|-----------|--------------|------|----|----|------------|-----------|------------|------------|------------|
| | | AQ | TC | TD | TE | TM | TN | Note 1 TY | Note 1 TZ | A | b | d | WF | ℓ | | | | |
| Bore size (mm) | | | | | | | | | | | | | | 50 or less | 50 to 100 | 100 to 150 | 150 to 200 | 200 to 300 |
| φ 32 | 135 (141) | 42 (45) + stroke length / 2 | 47 | 12 | 17 | 50 | 74 | 67 (70) | 46 (49) | 22 | 31.5 | 30 | 25 | 26 | 39 | 51 | 64 | 89 |
| φ 40 | 139 (145) | 42 (45) + stroke length / 2 | 57 | 16 | 22 | 63 | 95 | 63 (66) | 46 (49) | 30 | 35 | 40 | 21 | 30 | 43 | 55 | 68 | 93 |
| φ 50 | 156 (164) | 47 (51) + stroke length / 2 | 67 | 16 | 22 | 75 | 107 | 70 (74) | 51 (55) | 35 | 42 | 47 | 23 | 31 | 44 | 56 | 69 | 94 |
| φ 63 | 156 (164) | 47 (51) + stroke length / 2 | 82 | 20 | 28 | 90 | 130 | 70 (74) | 51 (55) | 35 | 42 | 47 | 23 | 31 | 44 | 56 | 69 | 94 |
| φ 80 | 190 (200) | 57 (62) + stroke length / 2 | 100 | 20 | 34 | 110 | 150 | 89 (94) | 61 (66) | 40 | 50 | 53 | 32 | 29 | 42 | 54 | 67 | 92 |
| φ 100 | 190 (200) | 57 (62) + stroke length / 2 | 121 | 25 | 40 | 132 | 182 | 89 (94) | 61 (66) | 40 | 52.5 | 61 | 32 | 29 | 42 | 54 | 67 | 92 |

| Symbol | | | | | | With switch | | | | |
|--------|------------|------------|------------|------------|------------|-------------|-----------|-------------|------------|----|
| | 300 to 400 | 400 to 500 | 500 to 600 | 600 to 700 | 700 to 800 | GC Note 1 | GD Note 1 | RD Note 1 | HD Note 1 | P |
| φ 32 | 114 | 139 | - | - | - | 1 (4) | 1 (4) | 5 (8) | 5 (8) | 25 |
| φ 40 | 118 | 143 | - | - | - | 1 (4) | 1 (4) | 5 (8) | 5 (8) | 29 |
| φ 50 | 119 | 144 | 169 | - | - | 2.5 (6.5) | 1 (5) | 6.5 (10.5) | 5 (9) | 34 |
| φ 63 | 119 | 144 | 169 | - | - | 2.5 (6.5) | 1 (5) | 6.5 (10.5) | 5 (9) | 40 |
| φ 80 | 117 | 142 | 167 | 192 | 217 | 8.5 (13.5) | 2 (7) | 12.5 (17.5) | 6 (11) | - |
| φ 100 | 117 | 142 | 167 | 192 | 217 | 8 (13) | 2.5 (7.5) | 12 (17) | 6.5 (11.5) | - |

Note 3: Refer to page 426 for the HD, RD and projecting dimensions of 2-color indicators with preventive maintenance output.

Note 4: Refer to pages 428, 429 for accessory dimensions.

- SCP*2
- CMK2
- CMA2
- SCM
- SCG**
- SCA2
- SCS
- CKV2
- CA/OV2
- SSD
- CAT
- MDC2
- MVC
- SMD2
- MSD*
- FC*
- STK
- ULK*
- JSK/M2
- JSG
- JSC3
- USSD
- USC
- JSB3
- LMB
- STG
- STS/L
- LCS
- LCG
- LCM
- LCT
- LCY
- STR2
- UCA2
- HCM
- HCA
- SRL2
- SRG
- SRM
- SRT
- MRL2
- MRG2
- SM-25
- CAC3
- UCAC
- RCC2
- MFC
- SHC
- GLC

Tie rod cylinder
Standard type