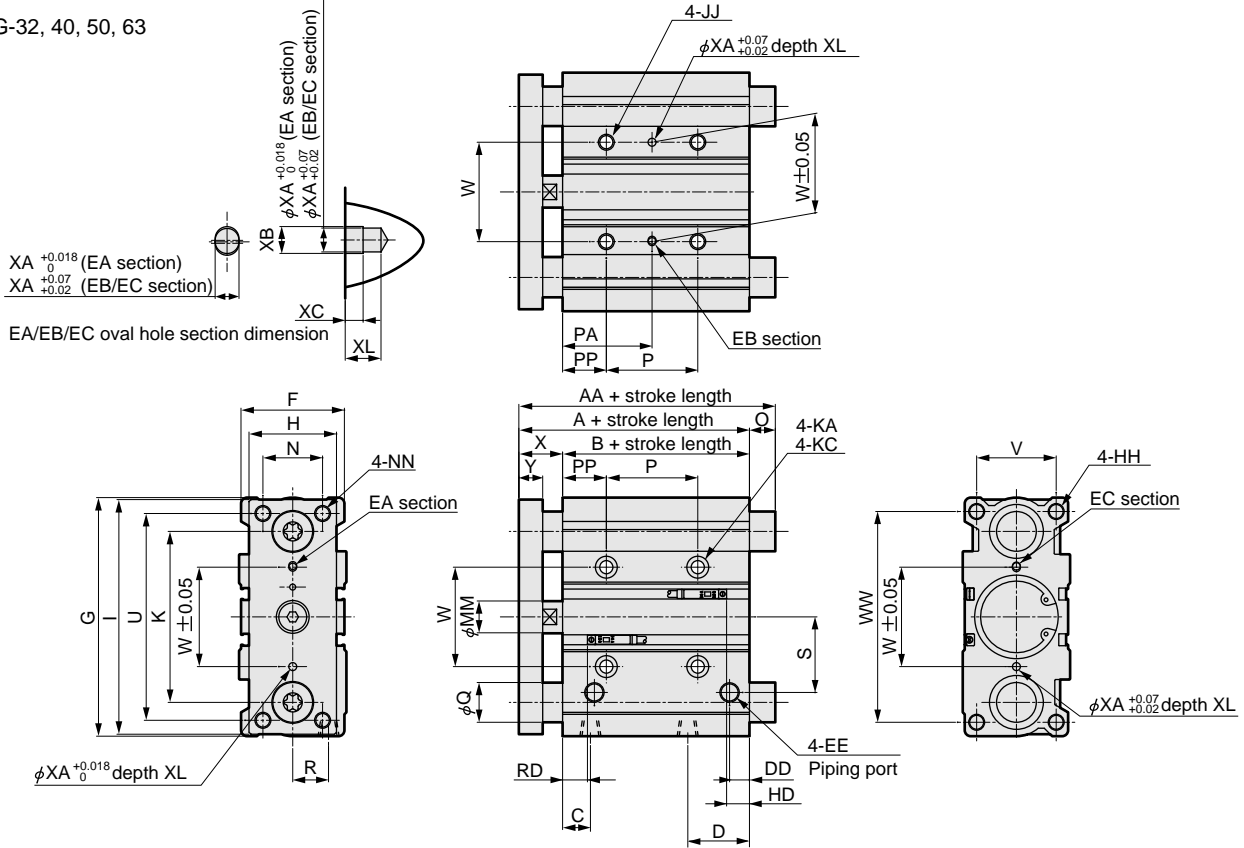




Dimensions (φ32, φ40, φ50, φ63)

● STG-32, 40, 50, 63



Note 1: The total length is the same as the next longer standard stroke length for custom stroke length.
 Note 2: Refer to page 1514 for RD, HD, and projecting dimensions of the 2 color indicator type, preventive maintenance output type, off delay type, strong magnetic field proof type, T1H/V, T8H/V switch.

● STG-M/B common

Symbol	Standard stroke length (mm)	A	B	C	D	DD	EE	F	G	H	HH	I	JJ	K	KA
φ32	25, 50, 75, 100, 125, 150, 175, 200, 250, 300, 350, 400	59.5	37.5	12.5	30.5	9	Rc1/8	48	112	44	M8 depth 20	110	M8 depth 16	78	6.3 penetrating
φ40		66	44	14	31	10	Rc1/8	54	120	44	M8 depth 20	118	M8 depth 16	86	6.3 penetrating
φ50		72	44	14	35	11	Rc1/4	64	148	60	M10 depth 22	146	M10 depth 20	110	8.6 penetrating
φ63		77	49	16.5	35	15	Rc1/4	78	162	70	M10 depth 22	158	M10 depth 20	124	8.6 penetrating

Symbol	P					PA					
Bore size (mm)	KC	MM	N	NN	25 or less	25 to 100	100 to 200	200 to 300	Over 300	25 or less	25 to 100
φ32	11 spot face depth 7.5	16	30	M8 penetrating	24	48	124	200	300	33	45
φ40	11 spot face depth 7.5	16	30	M8 penetrating	24	48	124	200	300	34	46
φ50	14 spot face depth 9	20	40	M10 penetrating	24	48	124	200	300	36	48
φ63	14 spot face depth 9	20	50	M10 penetrating	28	52	128	200	300	38	50

Symbol	PA			PP	R	S	U	V	W	WW	X	Y	RD	HD	XA	XB	XC	XL
Bore size (mm)	100 to 200	200 to 300	Over 300															
φ32	83	121	171	21	15	34	96	34	42	98	22	12	10	8.5	4	4.5	3	6
φ40	84	122	172	22	18	38	104	40	50	106	22	12	13	12	4	4.5	3	6
φ50	86	124	174	24	21.5	47	130	46	66	130	28	16	13.5	11.5	5	6	4	8
φ63	88	124	174	24	28	55	130	58	80	142	28	16	14	16	5	6	4	8

● STG-M

Symbol	AA			Q	O		
Bore size (mm)	50 or less	50 to 200	Over 200		50 or less	50 to 200	Over 200
φ32	79	100	140	20	19.5	40.5	80.5
φ40	79	100	140	20	13	34	74
φ50	91	116	161	25	19	44	89
φ63	91	116	161	25	14	39	84

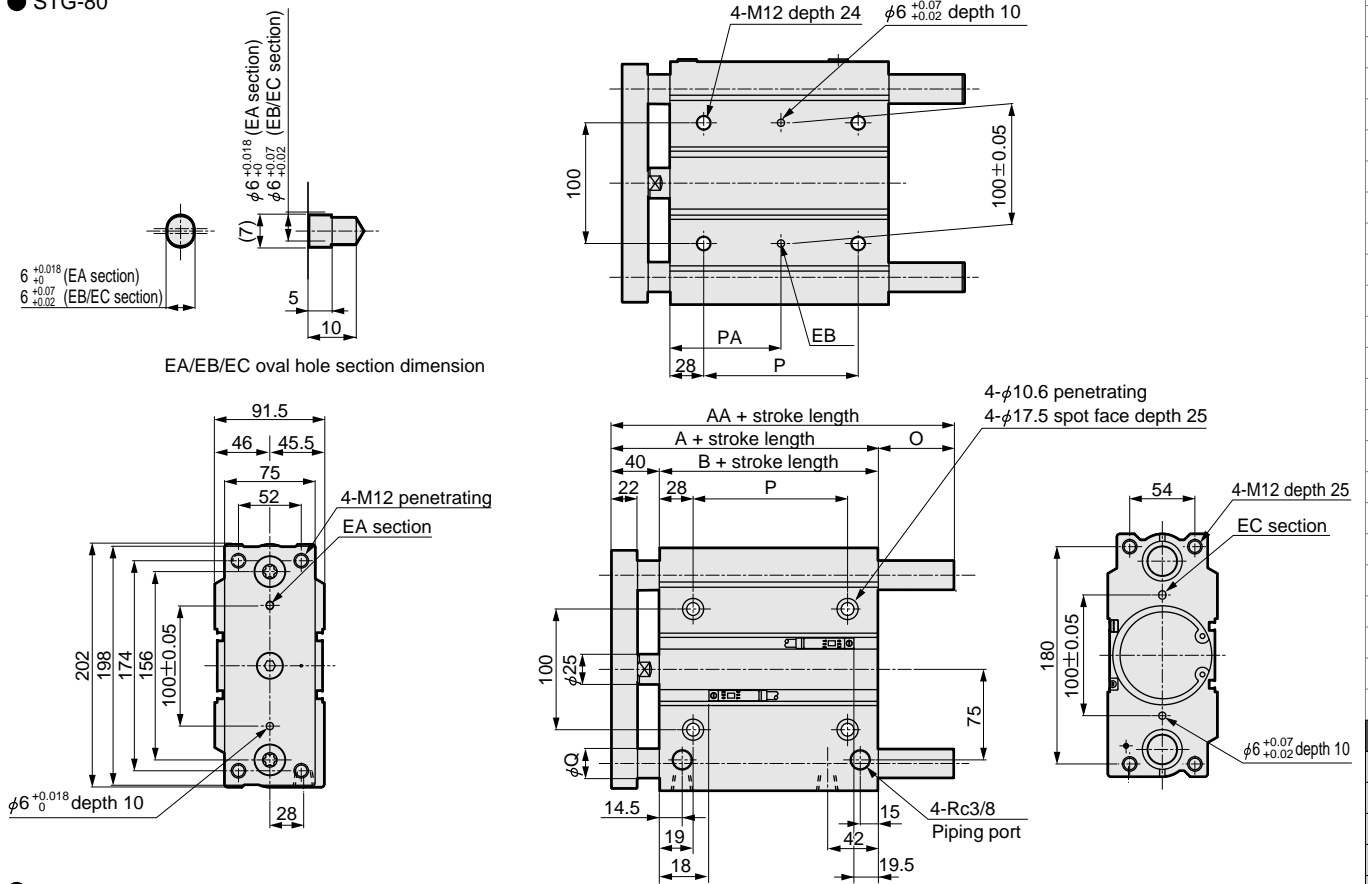
● STG-B

Symbol	AA				Q	O			
Bore size (mm)	50 or less	50 to 100	100 to 200	Over 200		50 or less	50 to 100	100 to 200	Over 200
φ32	79	98	118	140	16	19.5	38.5	58.5	80.5
φ40	79	98	118	140	16	13	32	52	74
φ50	91	114	134	161	20	19	42	62	89
φ63	91	114	134	161	20	14	37	57	84

Dimensions (φ80)



● STG-80



● STG-M/B common

Standard stroke length	A	B	P					PA				
			25st or less	25st to 100st	100st to 200st	200st to 300st	Over 300st	25st or less	25st to 100st	100st to 200st	200st to 300st	Over 300st
25, 50, 75, 100, 125, 150, 175, 200, 250, 300, 350, 400	96.5	56.5	28	52	128	200	300	42	54	92	128	178

● STG-M

AA			Q	O		
50st or less	50st to 200st	Over 200st		50st or less	50st to 200st	Over 200st
115	142	193	30	18.5	45.5	96.5

● STG-B

AA				Q	O			
25st or less	25st to 50st	50st to 200st	Over 200st		25st or less	25st to 50st	50st to 200st	Over 200st
109.5	130	160	193	25	13	33.5	63.5	96.5

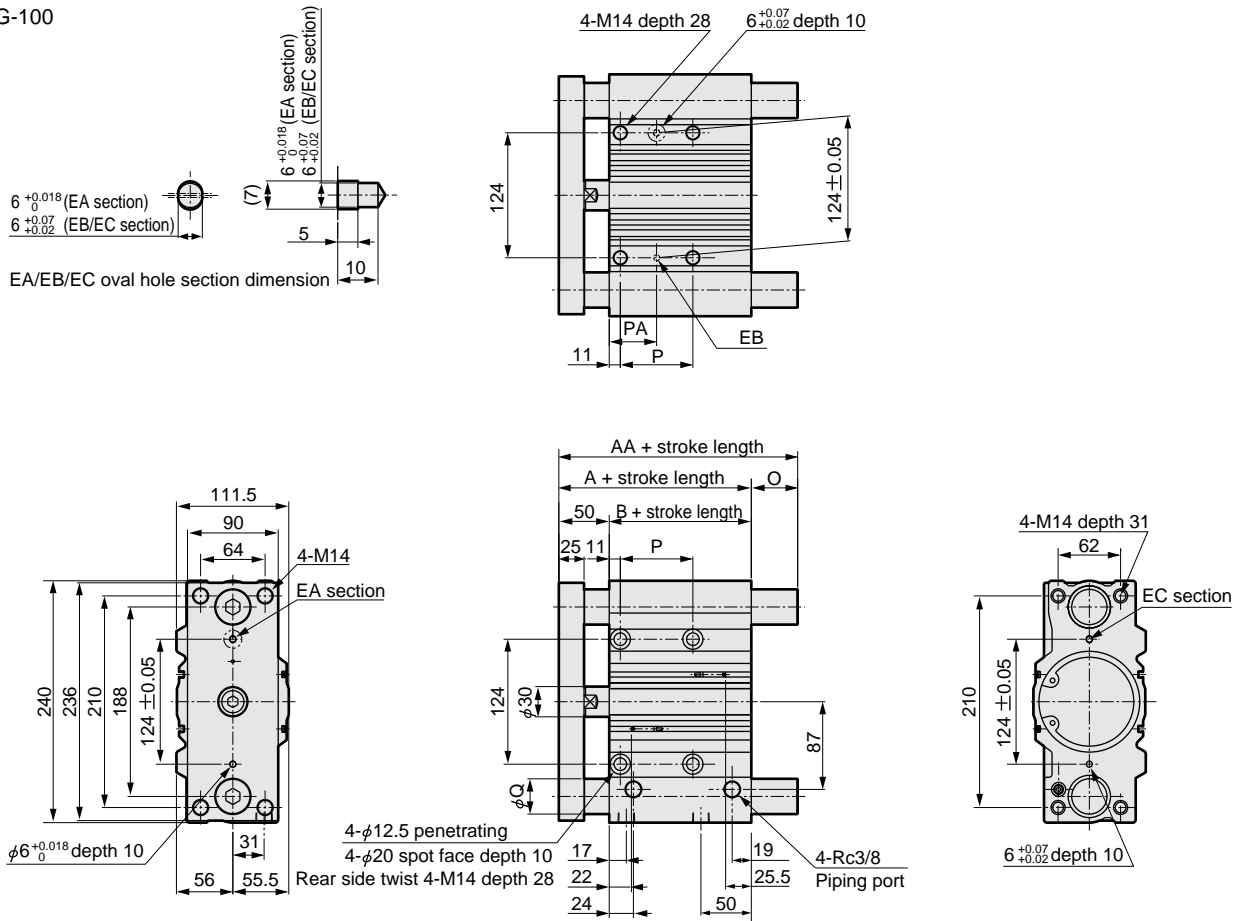
Note 1: Refer to page 1514 for the RD, HD, and projecting dimensions of the 2 color indicator type, preventive maintenance output type, off delay type, strong magnetic field proof type, T1H/V, T8H/V switch.

- SCP*2
- CMK2
- CMA2
- SCM
- SCG
- SCA2
- SCS
- CKV2
- CA/OV2
- SSD
- CAT
- MDC2
- MVC
- SMD2
- MSD*
- FC*
- STK
- ULK*
- JSK/M2
- JSG
- JSC3
- USSD
- USC
- JSB3
- LMB
- STG**
- STS/L
- LCS
- LCG
- LCM
- LCT
- LCY
- STR2
- UCA2
- HCM
- HCA
- SRL2
- SRG
- SRM
- SRT
- MRL2
- MRG2
- SM-25
- CAC3
- UCAC
- RCC2
- MFC
- SHC
- GLC
- Ending

Guided cylinder
Combined functions

Dimensions (φ100)

● STG-100



● STS-M/B common

Standard stroke length	A	B	P					PA				
			25st or less	25st to 100st	100st to 200st	200st to 300st	Over 300st	25st or less	25st to 100st	100st to 200st	200st to 300st	Over 300st
25, 50, 75, 100, 125, 150, 175 200, 250, 300, 350, 400	116	66	48	72	148	220	320	35	47	85	121	171

● STG-M

AA			Q	O		
50st or less	50st to 200st	Over 200st		50st or less	50st to 200st	Over 200st
137	162	203	35	21	46	87

● STG-B

AA				Q	O			
25st or less	25st to 50st	50st to 200st	Over 200st		25st or less	25st to 50st	50st to 200st	Over 200st
121	147	180	203	30	5	31	64	87