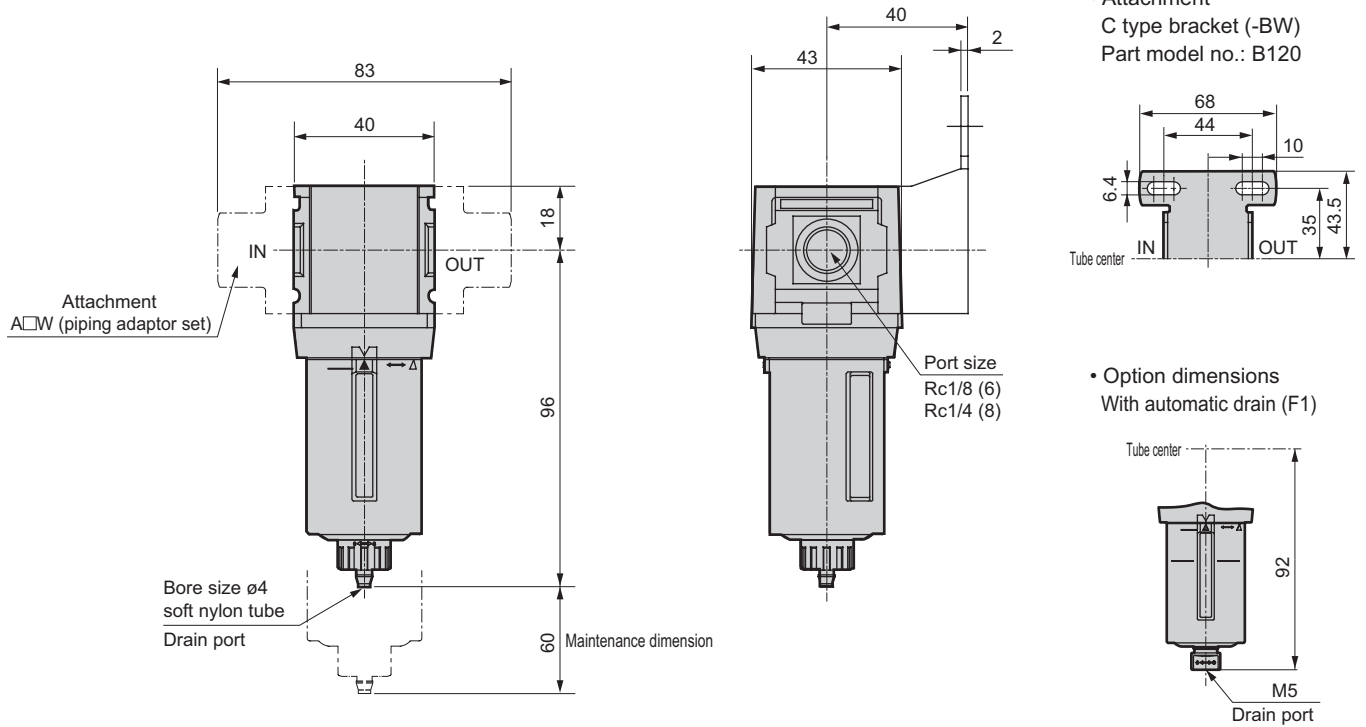


Oil Mist Filter Series

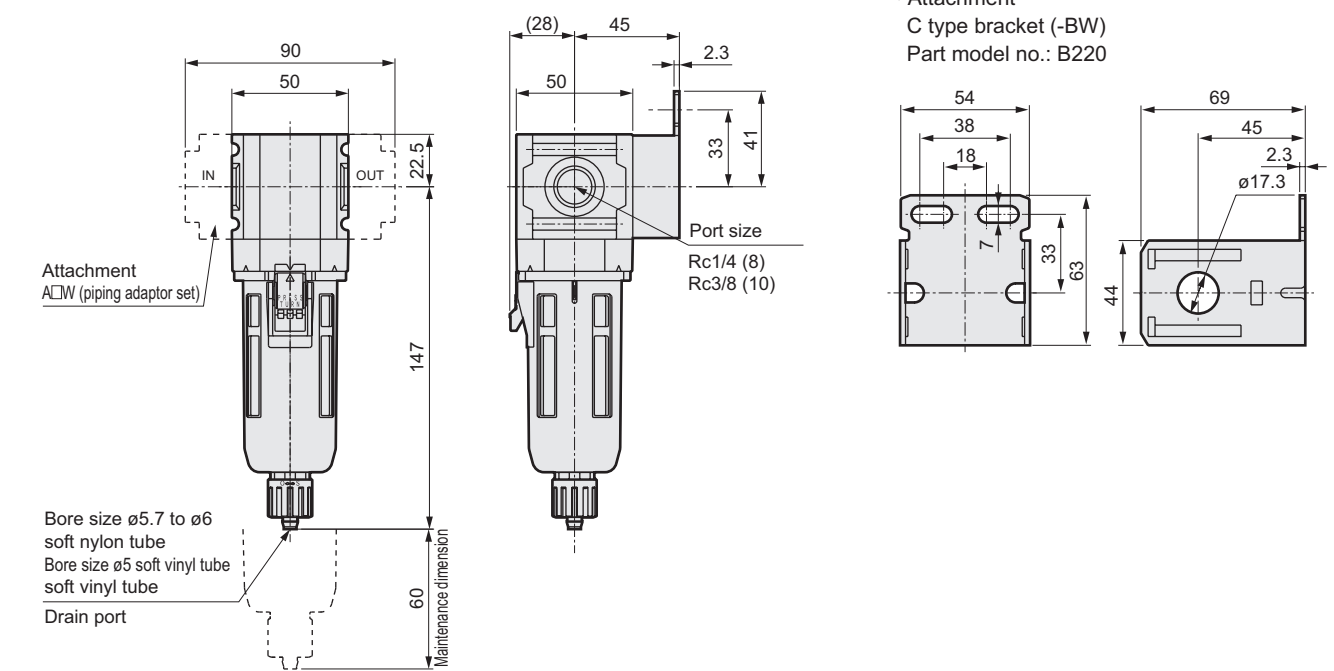
Dimensions



● M1000-W



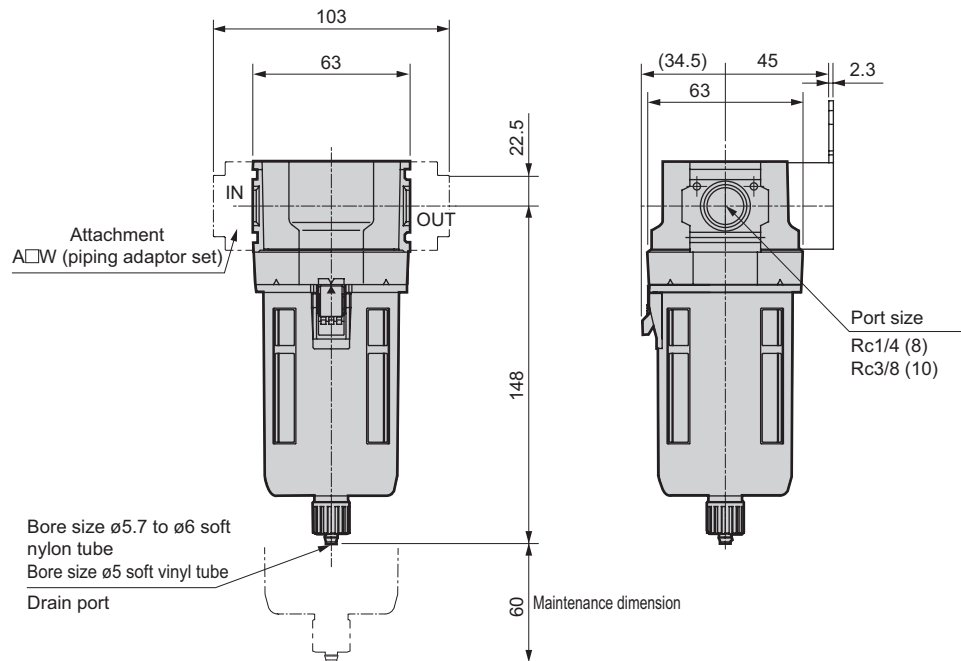
● M2000-W



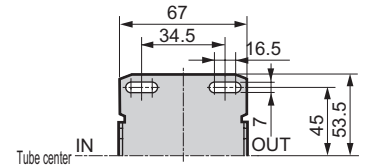
Dimensions



● M3000-W

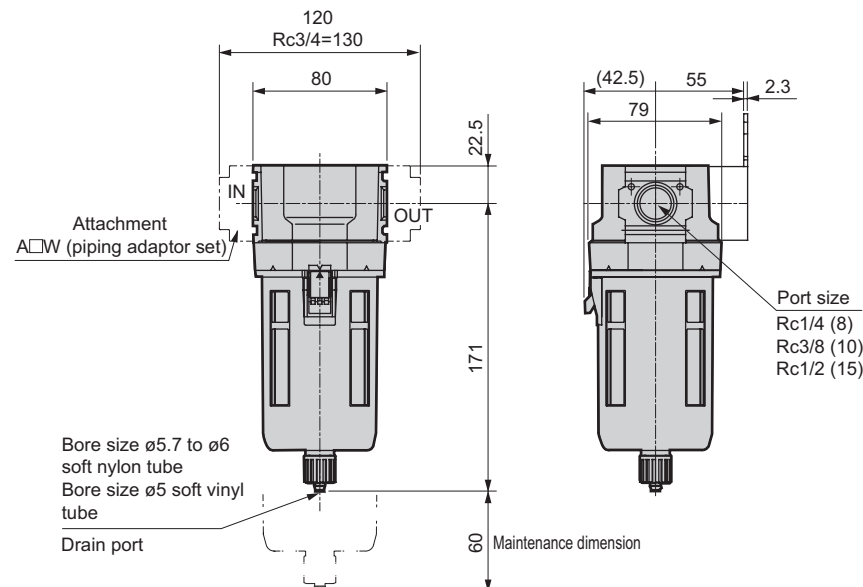


• Attachment
C type bracket (-BW)
Part model no.: B320

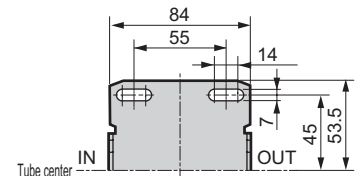


● For the plastic bowl, the dimensions are the same regardless of whether the manual cock or with automatic drain.
Note: The C-type bracket and piping adaptor set attachments cannot be used at the same time.

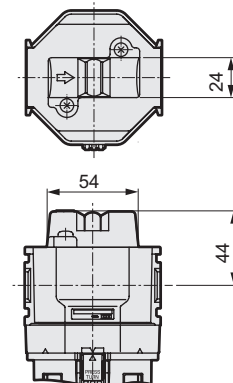
● M4000-W



• Attachment
C type bracket (-BW)
Part model no.: B420



• Option dimensions
with differential pressure indicator (Q1)



● For the plastic bowl, the dimensions are the same regardless of whether the manual cock or with automatic drain.

Refrigerating type dryer
Desiccant type dryer
High polymer membrane type dryer
Air filter
Auto. drain / others
F.R.L. (Module unit)
F.R.L. (Separate)
Compact F.R.
Precise regulator
F.R.L. (Related products)
Clean F.R.
Electro pneumatic regulator
Air booster
Speed control valve
Silencer
Check valve / others
Joint / tube
Vacuum filter
Vacuum regulator
Suction plate
Magnetic spring buffer
Mechanical pressure SW
Electronic pressure SW
Contact / close contact cont. SW
Air sensor
Pressure SW for coolant
Small flow sensor
Small flow controller
Flow sensor for air
Flow sensor for water
Total air system
Total air system (Gamma)
Ending

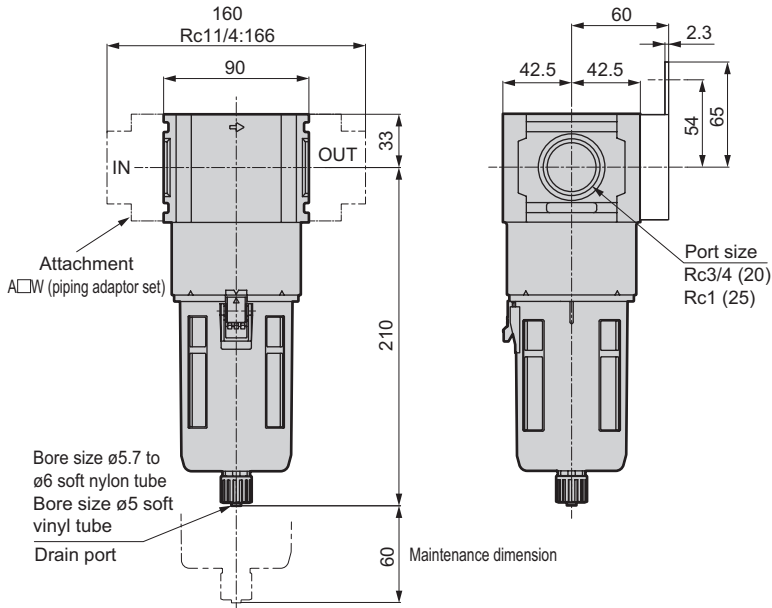
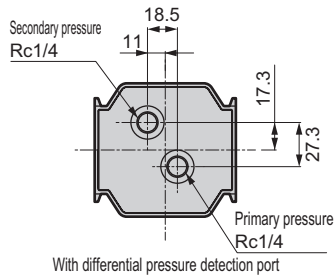
Standard series
F.R.L. unit

Oil Mist Filter Series

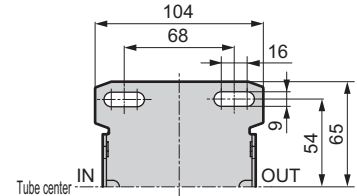
Dimensions



● M6000-W

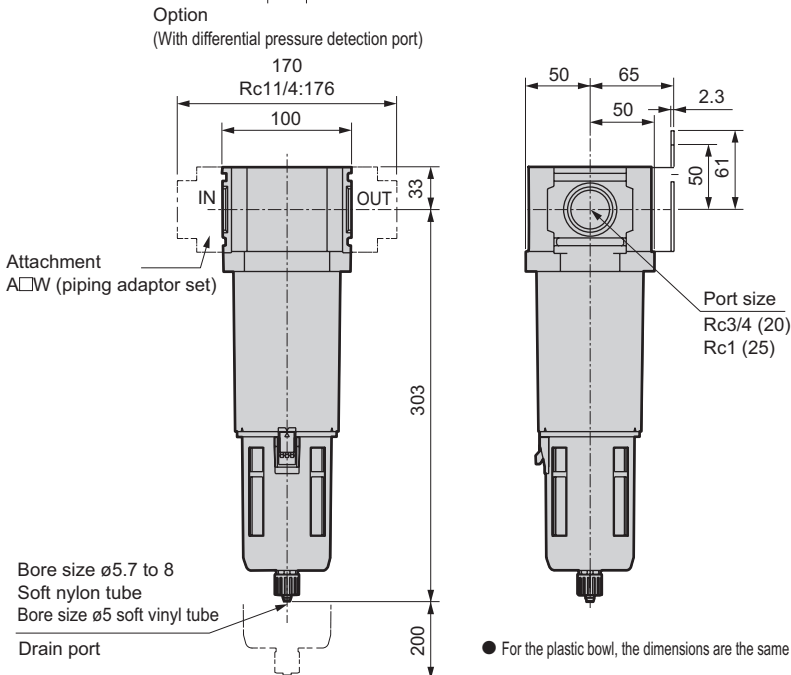
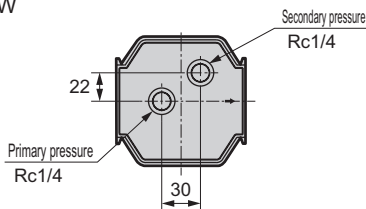


- Attachment
C type bracket (-BW)
Part model no.: B620

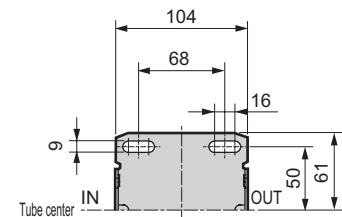


- For the plastic bowl, the dimensions are the same regardless of whether the manual cock or with automatic drain.
Note: The C-type bracket and piping adaptor set attachments cannot be used at the same time.

● M8000-W



- Attachment
C type bracket (-BW)
Part model no.: B820

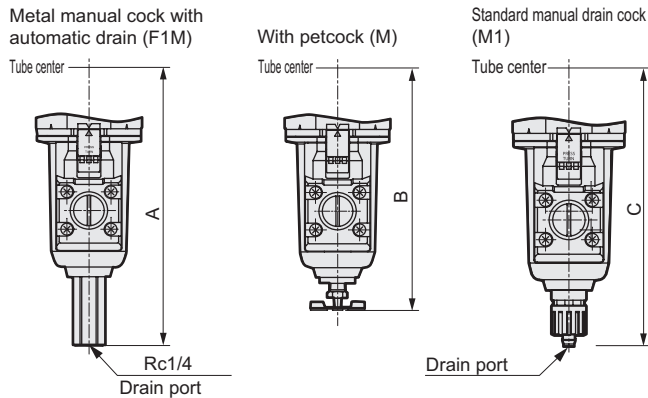


- For the plastic bowl, the dimensions are the same regardless of whether the manual cock or with automatic drain.

Optional dimensions



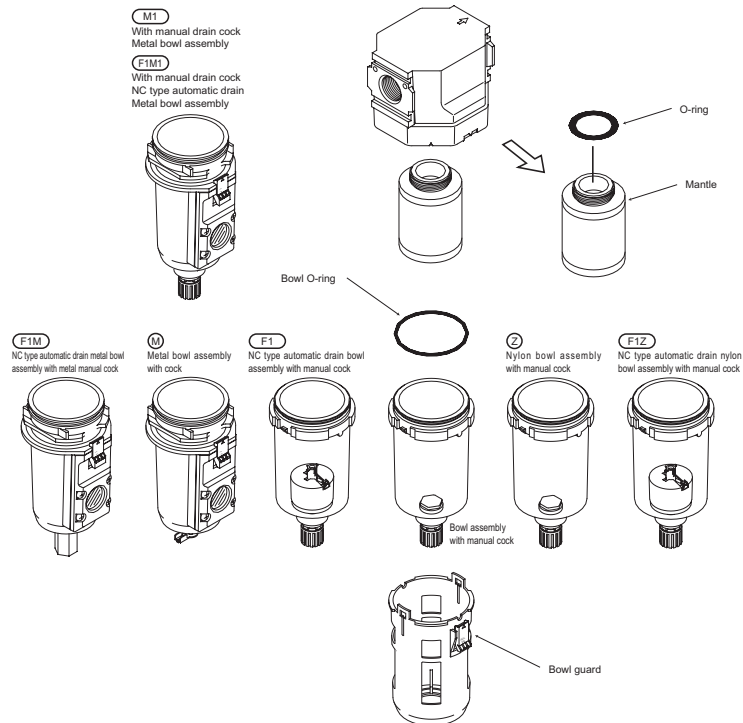
- Metal bowl (option)
(M2000-W, M3000-W, M4000-W, M6000-W, M8000-W)



Dimensions

Model no.	F1M	M	M1
	A	B	C
M2000-W	-	-	147
M3000-W	164	143.5	154
M4000-W	187	166.5	177
M6000-W	226	205	216
M8000-W	319	298	309

Optional parts table - oil mist filter



Repair kits model no. (Set of O-ring, mantle, bowl O-ring)

Model	M type	S type	X type
M1000-W	M1000-KIT	M1000-KIT-S	M1000-KIT-X
M1000-W-F1	M1000-KIT-F1	M1000-KIT-F1S	-
M2000-W	M2000-KIT	M2000-KIT-S	M2000-KIT-X
M3000-W, MM3000-W	M3000-KIT	M3000-KIT-S	M3000-KIT-X
M4000-W, MM4000-W	M4000-KIT	M4000-KIT-S	M4000-KIT-X
M6000-W, MM6000-W	M6000-KIT	M6000-KIT-S	M6000-KIT-X
M8000-W, MM8000-W	M8000-KIT	M8000-KIT-S	M8000-KIT-X

Repair kits model no. (Set of O-ring, mantle)

Model	M type	S type	X type
M1000-W	M1000-MANTLE-ASSY	M1000-MANTLE-ASSY-S	M1000-MANTLE-ASSY-X
M1000-W-F1	M1000-MANTLE-ASSY-F1	M1000-MANTLE-ASSY-F1S	-
M2000-W	M2000-MANTLE-ASSY	M2000-MANTLE-ASSY-S	M2000-MANTLE-ASSY-X
M3000-W, MM3000-W	M3000-MANTLE-ASSY	M3000-MANTLE-ASSY-S	M3000-MANTLE-ASSY-X
M4000-W, MM4000-W	M4000-MANTLE-ASSY	M4000-MANTLE-ASSY-S	M4000-MANTLE-ASSY-X
M6000-W, MM6000-W	M6000-MANTLE-ASSY	M6000-MANTLE-ASSY-S	M6000-MANTLE-ASSY-X
M8000-W, MM8000-W	M8000-MANTLE-ASSY	M8000-MANTLE-ASSY-S	M8000-MANTLE-ASSY-X

* M1000-W, 3000-W, 4000-W, and 8000-W Series products released before May 1998 are compatible with M parts, so select M parts.
* Refer to the air filter options and parts table for details on the bowl assembly and bowl guard.