

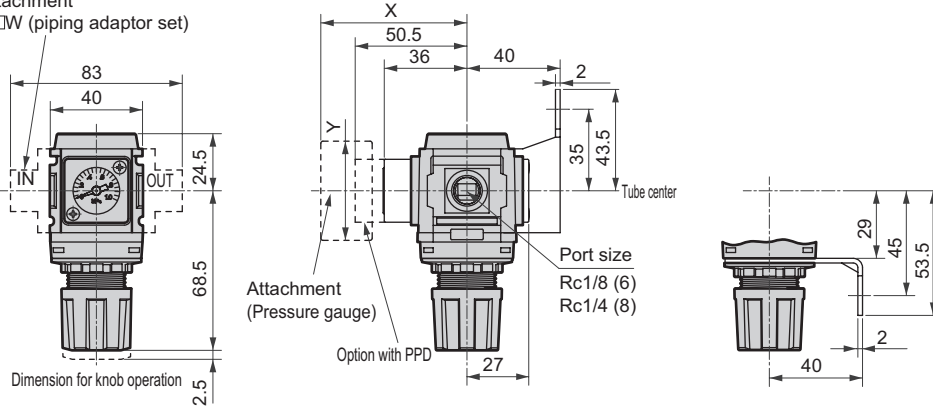
Regulator Series

Dimensions

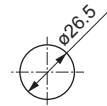


● R1000-W

Attachment
A□W (piping adaptor set)



Panel cut dimension



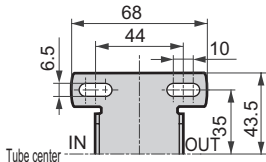
Panel plate thickness: Max. 6 mm

Pressure gauge attached optional dimensions table

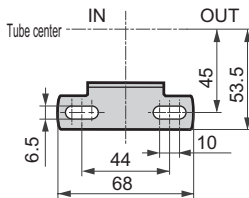
| Attached pressure gauge | X | Y |
|-------------------------|--------|-------|
| G45P | (74) | ø39 |
| G49P | (73.5) | ø43.5 |
| G59P | (76) | ø52 |
| G40P | (75.5) | ø42.5 |
| G50P | (75.5) | ø52.5 |
| G41P | (74) | ø42 |
| G52P | (86) | ø52.5 |
| R2 | (74) | □30 |

● Attachment

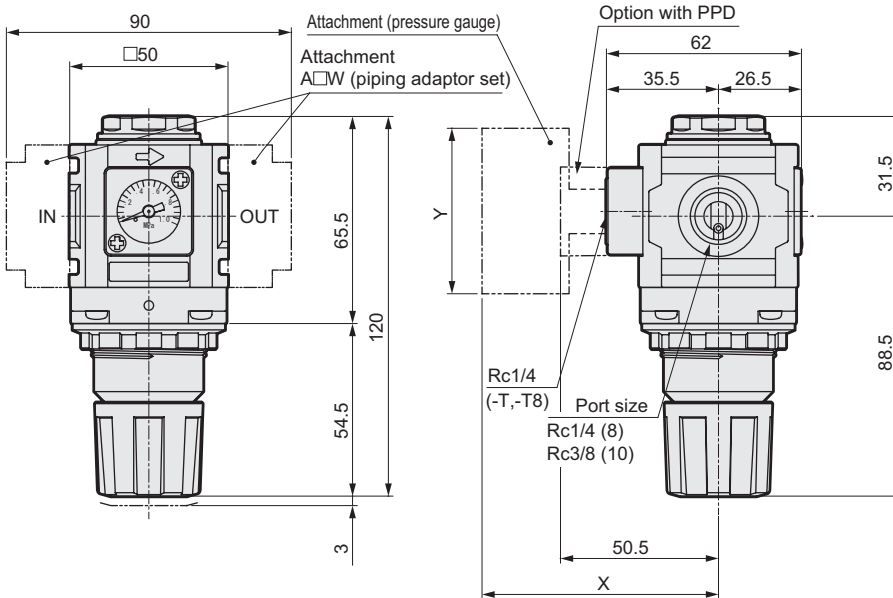
C type bracket (-BW)
Part model no.: B120



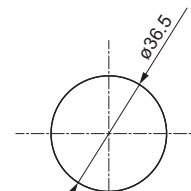
L type bracket (-B3W)
Part model no.: B130



● R2000-W



Panel cut dimension

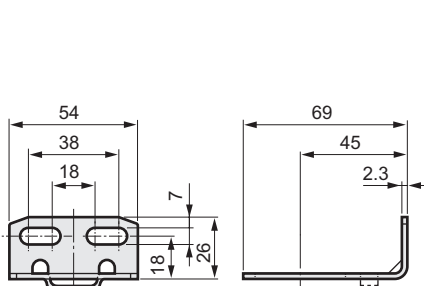


Panel plate thickness: Max. 4 mm

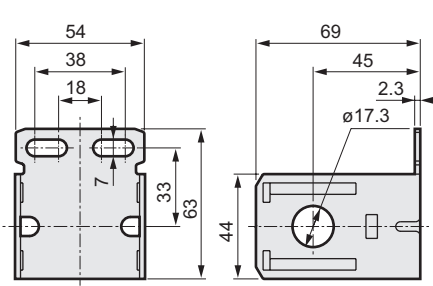
Pressure gauge attached optional dimensions table

| Attached pressure gauge | X | Y |
|-------------------------|--------|-------|
| G45P | (73.5) | ø39 |
| G49P | (73) | ø43.5 |
| G59P | (75.5) | ø52 |
| G40P | (75) | ø42.5 |
| G50P | (75) | ø52.5 |
| G41P | (73.5) | ø42 |
| G52P | (85.5) | ø52.5 |
| R2 | (73) | □30 |

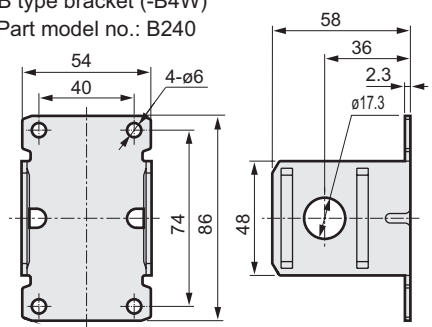
● L type bracket (-B3W)
Part model no.: B230



● C type bracket (-BW)
Part model no.: B220



● B type bracket (-B4W)
Part model no.: B240

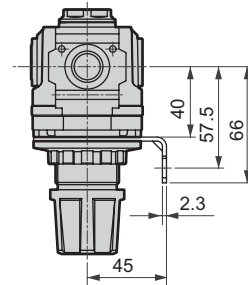
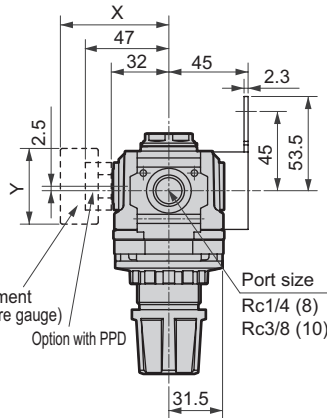
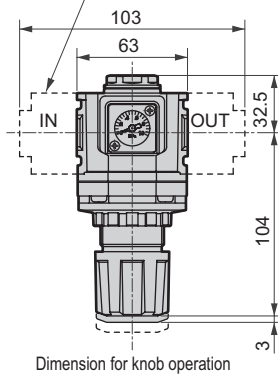


Dimensions

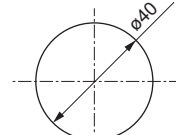


● R3000-W

Attachment
A□W (piping adaptor set)

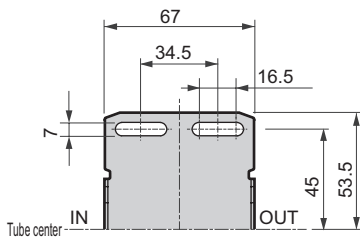


Panel cut dimension

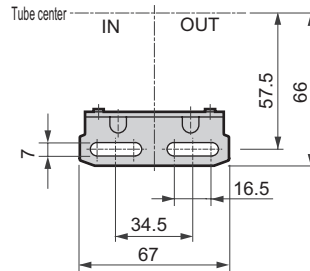


Panel plate thickness: Max. 7 mm

• Attachment (C type bracket) C type bracket (-BW) Part model no.: B320



L type bracket (-B3W) Part model no.: B330

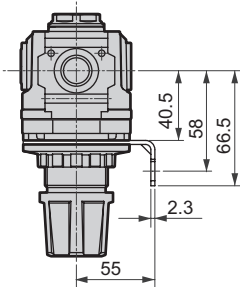
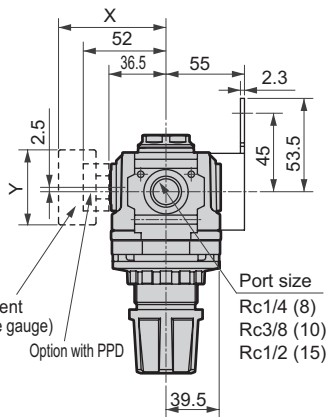
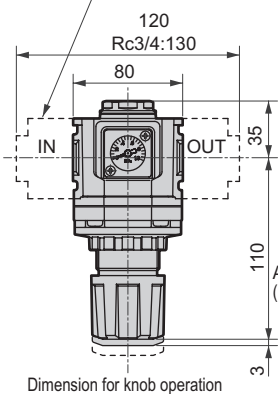


Pressure gauge attached optional dimensions table

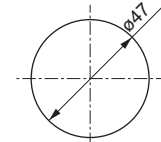
| Attached pressure gauge | X | Y |
|-------------------------|--------|-------|
| G45P | (70) | ø39 |
| G49P | (69.5) | ø43.5 |
| G59P | (72) | ø52 |
| G40P | (71.5) | ø42.5 |
| G50P | (71.5) | ø52.5 |
| G41P | (70) | ø42 |
| G52P | (82) | ø52.5 |
| R2 | (69.5) | □30 |

● R4000-W

Attachment
A□W (piping adaptor set)

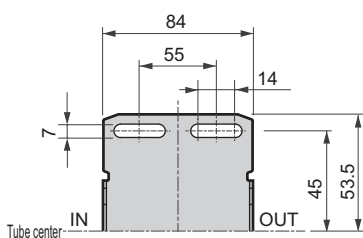


Panel cut dimension

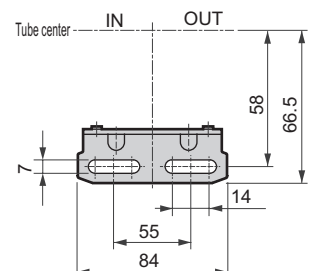


Panel plate thickness: Max. 7 mm

• Attachment C type bracket (-BW) Part model no.: B420



L type bracket (-B3W) Part model no.: B430



Pressure gauge attached optional dimensions table

| Attached pressure gauge | X | Y |
|-------------------------|--------|-------|
| G45P | (75) | ø39 |
| G49P | (74.5) | ø43.5 |
| G59P | (77) | ø52 |
| G40P | (76.5) | ø42.5 |
| G50P | (76.5) | ø52.5 |
| G41P | (75) | ø42 |
| G52P | (86) | ø52.5 |
| R2 | (75) | □30 |

| |
|----------------------------------|
| Refrigerating type dryer |
| Desiccant type dryer |
| High polymer membrane type dryer |
| Air filter |
| Auto. drain / others |
| F.R.L. (Module unit) |
| F.R.L. (Separate) |
| Compact F.R. |
| Precise regulator |
| F.R.L. (Related products) |
| Clean F.R. |
| Electro pneumatic regulator |
| Air booster |
| Speed control valve |
| Silencer |
| Check valve / others |
| Joint / tube |
| Vacuum filter |
| Vacuum regulator |
| Suction plate |
| Magnetic spring buffer |
| Mechanical pressure SW |
| Electronic pressure SW |
| Contact / close contact cont. SW |
| Air sensor |
| Pressure SW for coolant |
| Small flow sensor |
| Small flow controller |
| Flow sensor for air |
| Flow sensor for water |
| Total air system |
| Total air system (Gamma) |
| Ending |

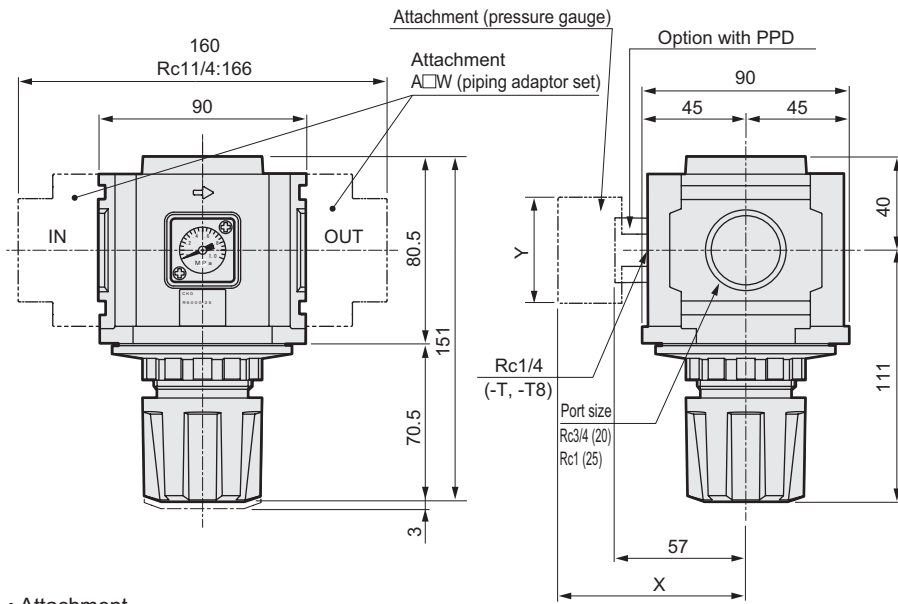
Standard series
F.R.L. unit

Regulator Series

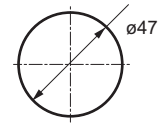
Dimensions



● R6000-W



Panel cut dimension

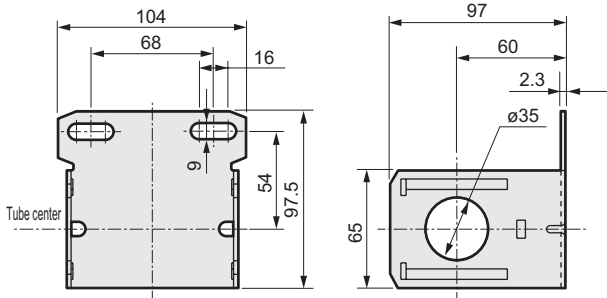


Pressure gauge attached optional dimensions table

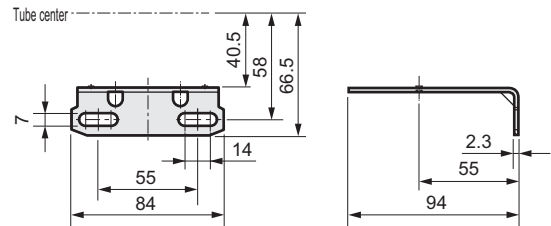
| Attached pressure gauge | X | Y |
|-------------------------|--------|-------|
| G45P | (80) | ø39 |
| G49P | (79.5) | ø43.5 |
| G59P | (82) | ø52 |
| G40P | (81.5) | ø42.5 |
| G50P | (87.5) | ø52.5 |
| G41P | (80) | ø42 |
| G52P | (93) | ø52.5 |
| R2 | (80) | □30 |

• Attachment

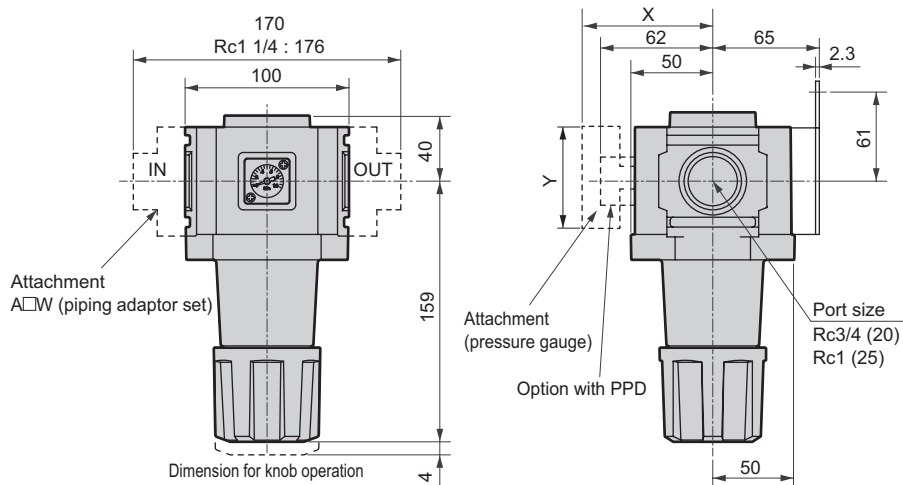
C type bracket (-BW)
Part model no.: B620



L type bracket (-B3W)
Part model no.: B430

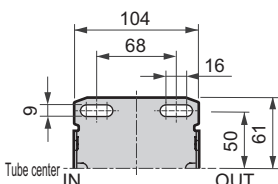


● R8000-W



• Attachment

C type bracket (-BW)
Part model no.: B820



Pressure gauge attached optional dimensions table

| Attached pressure gauge | X | Y |
|-------------------------|--------|-------|
| G45P | (85) | ø39 |
| G49P | (84.5) | ø43.5 |
| G59P | (87) | ø52 |
| G40P | (86.5) | ø42.5 |
| G50P | (86.5) | ø52.5 |
| G41P | (85) | ø42 |
| G52P | (98) | ø52.5 |
| R2 | (85) | □30 |