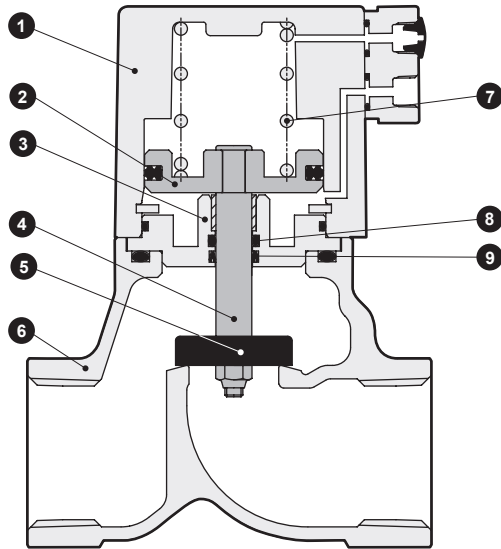


EXA
FWD
HNB/G
USB/G
FAB/G
FGB/G
FVB
FWB/G
FHB
FLB
AB
AG
AP/
AD
APK/
ADK
For dry air
Explosion proof
HVB/
HVL
SAB/
NAB
LAD/
NAD
Related components for water
NP/NAP/
NVP
CHB/G
MXB/G
Others Valve
Dust collecting
CVE/
CVSE
CCH,
CPE/D
Medical analysis
Gas combustion
Automatic watering
Custom order product
Ending

Internal structure and parts list

● SAB1A



No.	Parts name	Material	
1	Cylinder cover	ADC12	Aluminum die casting
2	Piston	A2017	Aluminum
3	Adaptor	C3604 (SUS304)	Brass (stainless steel)
4	Piston rod	SUS304	Stainless steel
5	Main valving element	NBR (FKM, EPDM) SUS304	Nitrile rubber (fluoro rubber, ethylene propylene rubber) stainless steel
6	Body	CAC408 (SCS13)	Bronze casting (stainless steel casting)
7	Spring	SWP	Piano wire
8	O-ring	NBR (FKM, EPDM)	Nitrile rubber (fluoro rubber, ethylene propylene rubber)
9	MY packing seal	NBR (FKM, EPDM)	Nitrile rubber (fluoro rubber, ethylene propylene rubber)

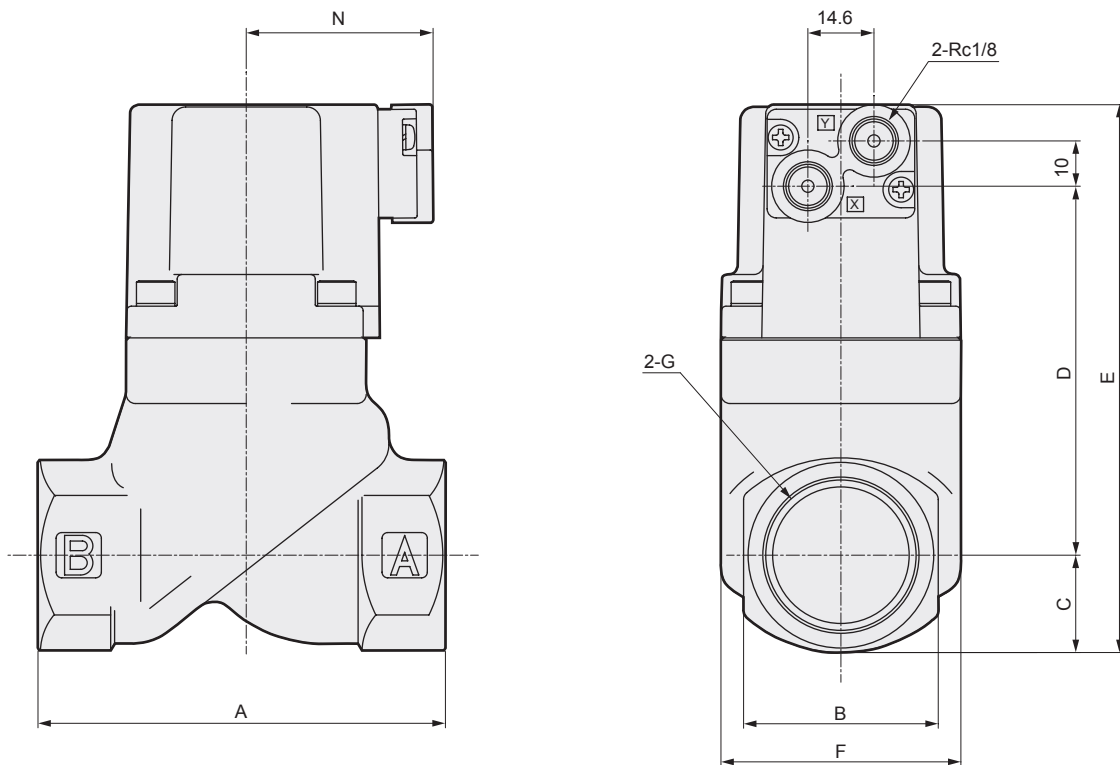
*1: () shows options.

*2: For 65F and 80F, the body is made of FC250 (cast iron), and the main valving material is made of FKM.

Dimensions



● SAB*A-8* to 50* (female thread type)

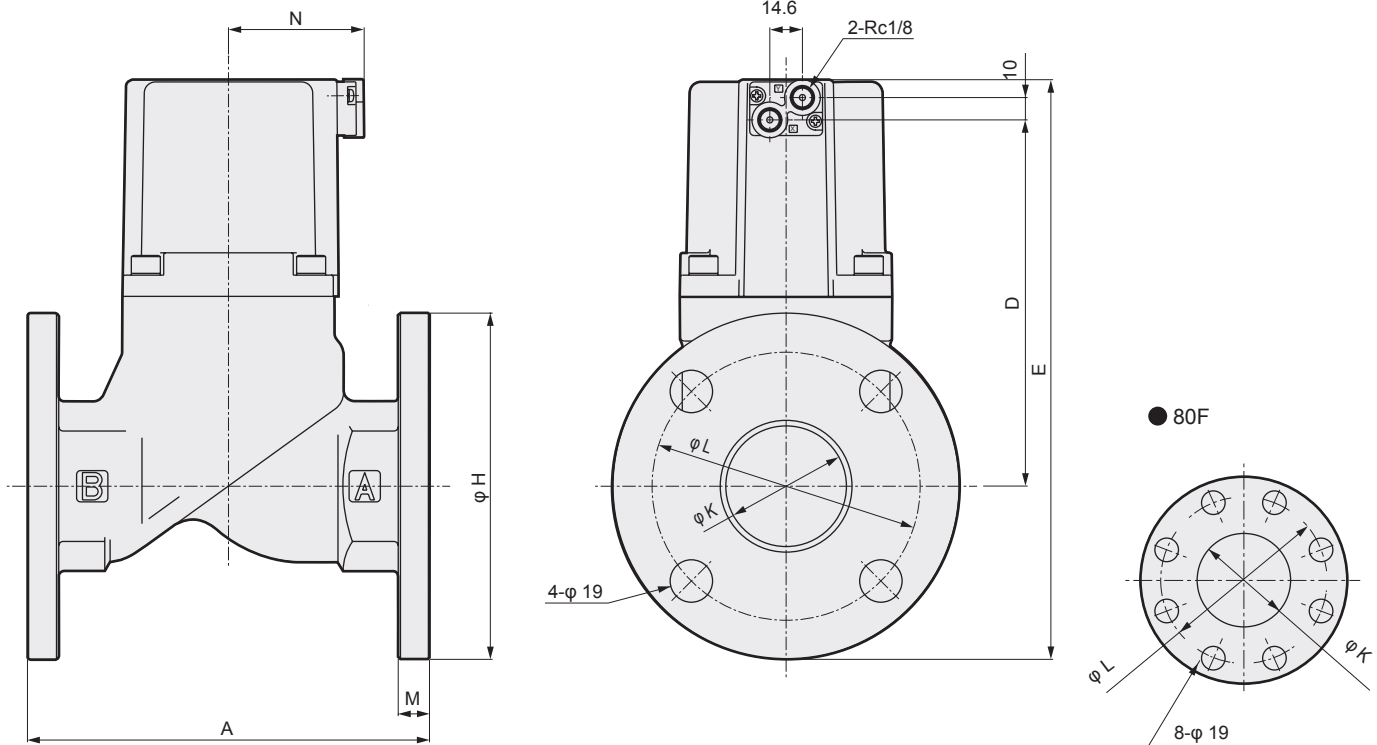


Model no.	A	B	C	D	E	F	G	N
SAB*A-8A/G/N	50	24	12	41.5	71.5	32	Rc1/4, G1/4, 1/4-18NPT	37 (42)
SAB*A-10A/G/N							Rc3/8, G3/8, 3/8-18NPT	
SAB*A-15A/G/N	71	28	14.5	61.5	94	43	Rc1/2, G1/2, 1/2-14NPT	38 (43)
SAB*A-20A/G/N	80	35	17.5	71	106.5	43	Rc3/4, G3/4, 3/4-14NPT	38 (43)
SAB*A-25A/G/N	90	43	21	81.5	120.5	53	Rc1, G1, 1-11.5NPT	41.5 (46.5)
SAB*A-32A/G/N	125	55	27.5	109.5	155	63	Rc1 1/4, G1 1/4, 1 1/4-11.5NPT	46 (51)
SAB*A-40A/G/N	140	61	30.5	130.5	179	77	Rc1 1/2, G1 1/2, 1 1/2-11.5NPT	53 (58)
SAB*A-50A/G/N	160	76	38	164	220	95	Rc2, G2, 2-11.5NPT	61 (66)

*1: () shows values for G thread.

Dimensions

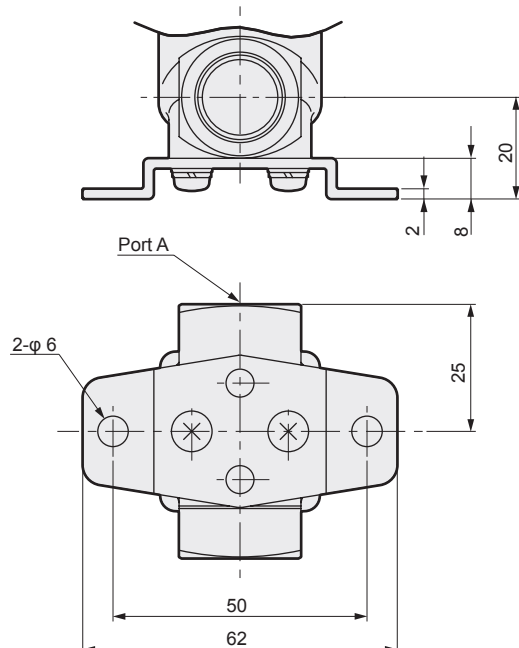
● SAB*A-32F to 80F (flange type)



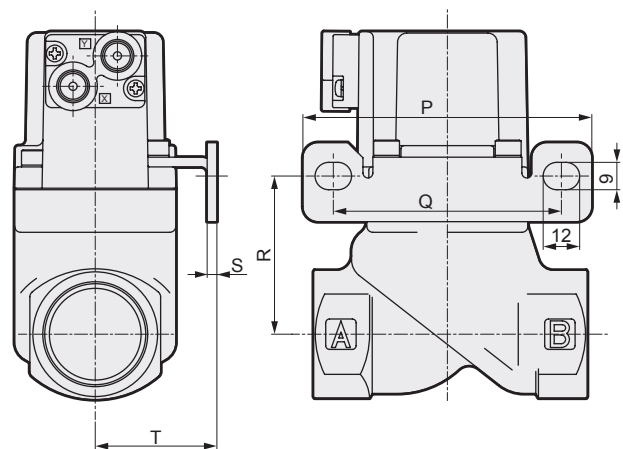
Model no.	A	D	E	H	K	L	M	N
SAB*A-32F	170	109.5	195	135	36	100	12	46
SAB*A-40F	180	130.5	218.5	140	42	105	12	53
SAB*A-50F	180	164	259.5	155	54	120	14	61
SAB*A-65F	210	199	347.5	175	68	140	16	101
SAB*A-80F	240	214	367.5	185	82	150	16	111

Optional dimensions

● Mounting plate
SAB*A-8*/10*-***B**



● Mounting plate
SAB*A-15* to 32*-***B**/**B-R**



* The figure shows **B**.

Model no.	P	Q	R	S	T
SAB*A-15A/G/N	90	70	39	2.3	30
SAB*A-20A/G/N	90	70	48.5	2.3	30
SAB*A-25A/G/N	95	75	52	3.2	40
SAB*A-32A/G/N	105	85	66.5	3.2	45

* Use the set screws of the body if you do not use the mounting plate for fixing.
(Thread size: M4 depth 8 pitch 19)

EXA
FWD
HNB/G
USB/G
FAB/G
FGB/G
FVB
FWB/G
FHB
FLB
AB
AG
AP/AD
APK/ADK
For dry air
Explosion proof
HVB/HVL
SAB/NAB
LAD/NAD
Related components for water
NP/NAP/NVP
CHB/G
MXB/G
Others Valve
Dust collecting
CVE/CVSE
CCH, CPE/D
Medical analysis
Gas combustion
Automatic watering
Custom order product
Ending