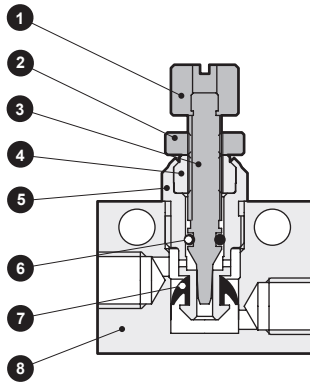


SC-M3/M5 Series

Internal structure/external dimensions

Internal structure and parts list



No.	Parts name	Material
1	Knob	Aluminum alloy
2	Lock nut	Aluminum alloy
3	Needle	Stainless steel
4	Needle guide	Aluminum alloy
5	Check bracket	Aluminum alloy
6	O-ring	Nitrile rubber
7	Packing	Hydrogenated nitrile rubber
8	Body	Aluminum alloy

Note: The material of needle guide of fine speed type is stainless steel.

F.R.L. unit

Pneumatic auxiliary components

Air unit components

Precision components

Pressure sensor

Sensor/controller

Total air system

Main line unit

Ending

Ending

Speed controller

Speed controller

Silencer

Silencer

Check valve/others

Check valve/others

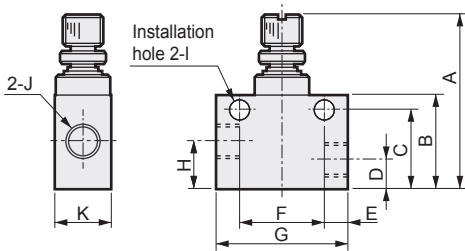
Fitting/tube

Fitting/tube

Dimensions

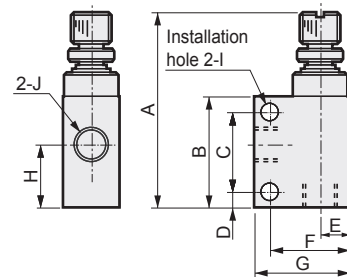


● SC-M3/M5-S (straight)



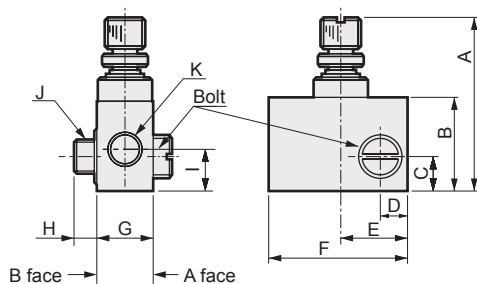
Model no.	A	B	C	D	E	F	G	H	I	J	K
SC-M3-S	18.5 (max 21)	9	7.3	2.5	2.5	8	13	4.2	φ2.2	M3 × 0.5	5
SC-M5-S	25 (max 28.5)	13.5	11.2	4.2	3.5	12	19	6.5	φ3.2	M5 × 0.8	8

● SC-M3/M5-L (elbow)



Model no.	A	B	C	D	E	F	G	H	I	J
SC-M3-L	20.3 (max 22.8)	10.5	7	1.9	2.5	6.5	9	5.7	φ2.2	M3 × 0.5
SC-M5-L	27.5 (max 31)	16	11.5	2.2	4.3	11.2	13.5	9	φ3.2	M5 × 0.8

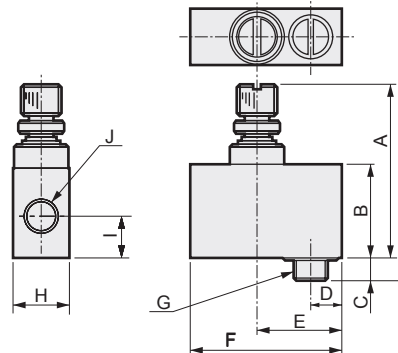
● SC-M3/M5-F (flat)



Model no.	A	B	C	D	E	F	G	H	I	J	K
SC-M3-F	18.5 (max 21)	9	3.4	2.7	6.5	13	5	3	4.2	M3 × 0.5	M3 × 0.5
SC-M5-F	25 (max 28.5)	13.5	5.1	4	10.5	20	8	3.5	6.5	M5 × 0.8	M5 × 0.8

Note: The bolt can be removed from the main body and installed from either A or B side.

● SC-M3/M5-A (adjustable)



Model no.	A	B	C	D	E	F	G	H	I	J
SC-M3-A	18.5 (max 21)	9	3	3.2	8	14.5	M3 × 0.5	5	4.2	M3 × 0.5
SC-M5-A	25 (max 28.5)	13.5	3.5	4.5	12.5	22	M5 × 0.8	8	6.5	M5 × 0.8