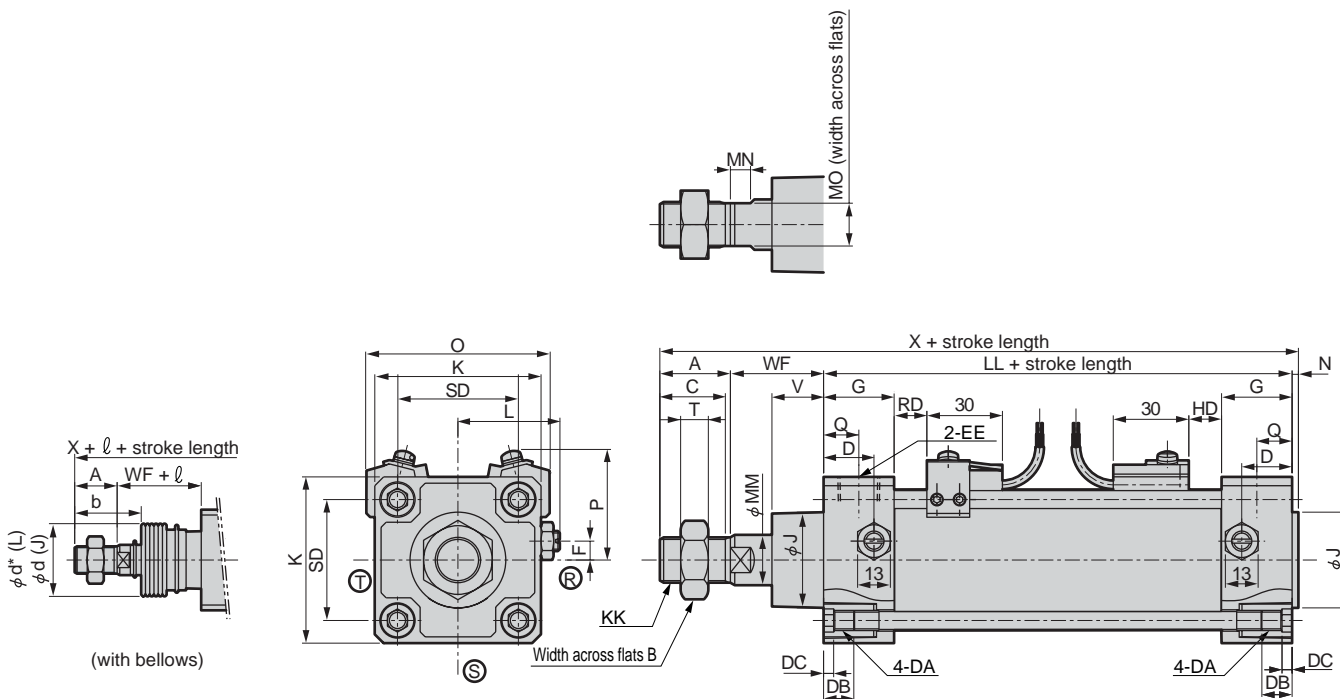


Dimensions



● T type basic type with switch (00)



Note 1: For ℓ dimensions, round up decimal places.
 Note 2: R, S and T indicates a cushion needle position.
 RD: Rod end max. sensitive position
 HD: Head end max. sensitive position

Note 3: Refer to page 597 for the projecting dimensions of T2YD, H0 switch.
 Note 4: Refer to pages 598, 599 for accessory dimensions.

Symbol	Basic type (00) basic dimensions																								
Bore size (mm)	A	B	C	D	DA	DB	DC	EE	F	G	J	K	KK	L	LL	MM	MN	MO	N	Q	SD	T	V	WF	X
φ40	22	22	20	18	M8	12	4	Rc1/4	7.5	26	31	57	M14 x 1.5	38 to 39.5	93	16	8	14	2	13	40.5	8	18.5	33.5	150.5
φ50	28	27	26	20	M8	12	4	Rc3/8	0	28	38	66	M18 x 1.5	41 to 43.5	101	20	8	17	2.5	14	48	11	20.5	37	168.5
φ63	28	27	26	22	M8	12	4	Rc3/8	0	30	38	80	M18 x 1.5	47.5 to 50.0	105	20	8	17	3	15	59	11	21	35	171
φ80	36	32	34	26	M12	16	5	Rc1/2	0	34	43	98	M22 x 1.5	56 to 59	116	25	11	22	3.5	17	74	13	23.5	48	203.5
φ100	45	41	43	28	M12	16	5	Rc1/2	0	36	51	118	M26 x 1.5	66 to 69	128	30	13	27	4	18	90	16	32	53	230

Symbol	With bellows													With switch									
	A	X	b	d	d*	ℓ							O	P	T0, T5, T2, T3		T1, T2Y, T3Y, T2YFM, T3YFM		T8				
						50 or less	50 to 100	100 to 150	150 to 200	200 to 300	300 to 400	400 to 500			Over 500	RD	HD	RD		HD	RD/HD		
φ40	22	150.5	41	40	40	25.5	41.5	58.5	75.5	108.5	141.5	174.5	(stroke length/3.0) + 8	66	41.5	11	11	10	10	5			
φ50	28	168.5	47	47	48	22	36	49	63	90	119	146	(stroke length/3.6) + 7.5	73	43	13	13	12	12	7			
φ63	28	171	45	47	48	22	36	49	63	90	119	146	(stroke length/3.6) + 7.5	85	47	13	13	12	12	7			
φ80	36	203.5	58.5	53	55	14	26	38	49	72	96	119	(stroke length/4.3) + 2.5	105	57	14.5	14.5	13.5	13.5	8.5			
φ100	45	230	69.5	61	65	20	32	42	53	76	98	120	(stroke length/4.5) + 9	121	63	18.5	18.5	17.5	17.5	12.5			

* Round up decimal places.

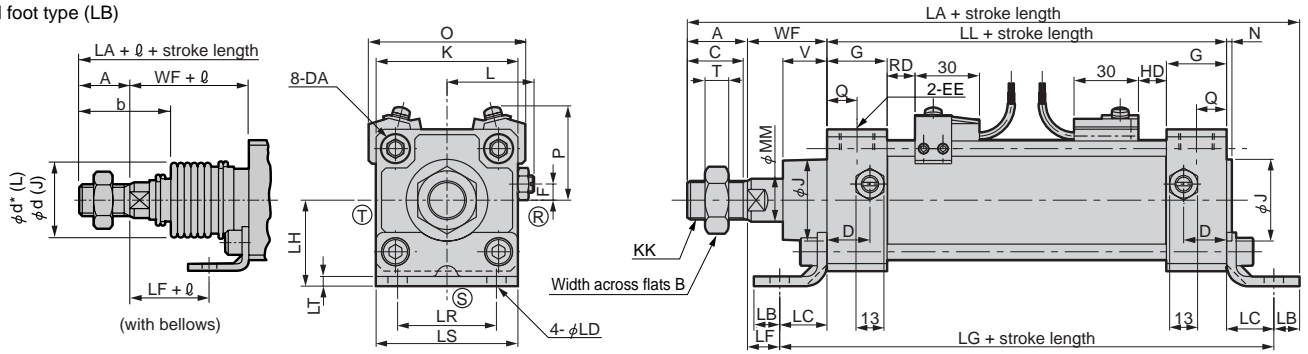
SCP*2
CMK2
CMA2
SCM
SCG
SCA2
SCS
CKV2
CA/OV2
SSD
CAT
MDC2
MVC
SMD2
MSD*
FC*
STK
ULK*
JSK/M2
JSG
JSC3
USSD
USC
JSB3
LMB
STG
STS/L
LCS
LCG
LCM
LCT
LCY
STR2
UCA2
HCM
HCA
SRL2
SRG
SRM
SRT
MRL2
MRG2
SM-25
CAC3
UCAC
RCC2
MFC
SHC
GLC
Ending

Medium bore size cylinder
Standard type

Dimensions



● Axial foot type (LB)

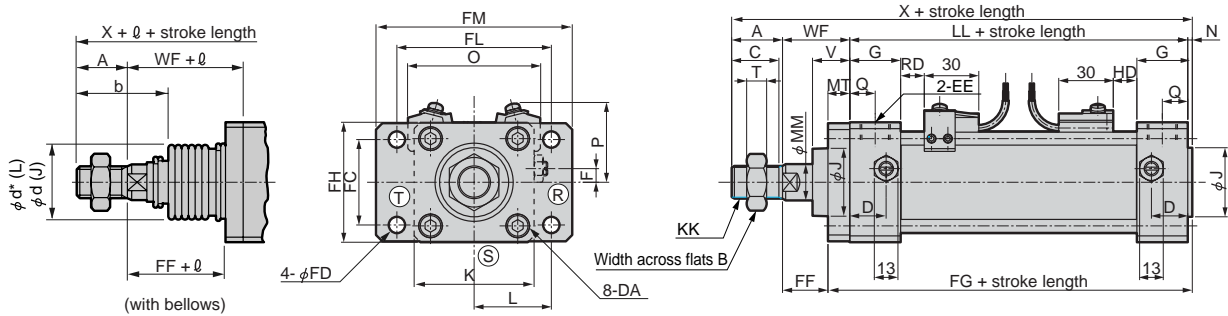


Note 1: For ℓ dimensions, round up decimal places. Note 2: R, S and T indicates a cushion needle position. Note 3: Refer to page 597 for the projecting dimensions of T2YD, H0 switch. Note 4: Refer to pages 598, 599 for accessory dimensions.

Symbol	Axial foot type (LB) basic dimensions																			Installation dimensions						
Bore size (mm)	A	B	C	D	DA	EE	F	G	J	K	KK	L	LL	MM	N	Q	T	V	WF	LA	LB	LC	LD	LF	LG	LH
$\phi 40$	22	22	20	18	M8	Rc1/4	7.5	26	31	57	M14 x 1.5	38 to 39.5	93	16	2	13	8	18.5	33.5	178	10	19.5	9	14	132	40
$\phi 50$	28	27	26	20	M8	Rc3/8	0	28	38	66	M18 x 1.5	41 to 43.5	101	20	2.5	14	11	20.5	37	200	12	22	9	15	145	40
$\phi 63$	28	27	26	22	M8	Rc3/8	0	30	38	80	M18 x 1.5	47.5 to 50.0	105	20	3	15	11	21	35	210	12	30	11	5	165	50
$\phi 80$	36	32	34	26	M12	Rc1/2	0	34	43	98	M22 x 1.5	56 to 59	116	25	3.5	17	13	23.5	48	251	14	37	14	11	190	60
$\phi 100$	45	41	43	28	M12	Rc1/2	0	36	51	118	M26 x 1.5	66 to 69	128	30	4	18	16	32	53	278	21	31	14	22	190	67

Symbol	With bellows											With switch									
	LR	LS	LT	b	d	d*	ℓ						O	P	T0, T5, T2, T3		T1, T2Y, T3Y, T2YFM, T3YFM		T8		
							50 or less	50 to 100	100 to 150	150 to 200	200 to 300	300 to 400			400 to 500	Over 500	RD	HD		RD	HD
$\phi 40$	40	57	3.2	41	40	40	25.5	41.5	58.5	75.5	108.5	141.5	174.5	(stroke length/3.0) + 8	66	41.5	11	11	10	10	5
$\phi 50$	46	66	4.5	47	47	48	22	36	49	63	90	119	146	(stroke length/3.6) + 7.5	73	43	13	13	12	12	7
$\phi 63$	60	80	4.5	45	47	48	22	36	49	63	90	119	146	(stroke length/3.6) + 7.5	85	47	13	13	12	12	7
$\phi 80$	74	98	6.0	58.5	53	55	14	26	38	49	72	96	119	(stroke length/4.3) + 2.5	105	57	14.5	14.5	13.5	13.5	8.5
$\phi 100$	80	118	6.0	69.5	61	65	20	32	42	53	76	98	120	(stroke length/4.5) + 9	121	63	18.5	18.5	17.5	17.5	12.5

● Rod end flange type (FA)



Note 1: For ℓ dimensions, round up decimal places. Note 2: R, S and T indicates a cushion needle position. Note 3: Refer to page 597 for the projecting dimensions of T2YD, H0 switch. Note 4: Refer to pages 598, 599 for accessory dimensions.

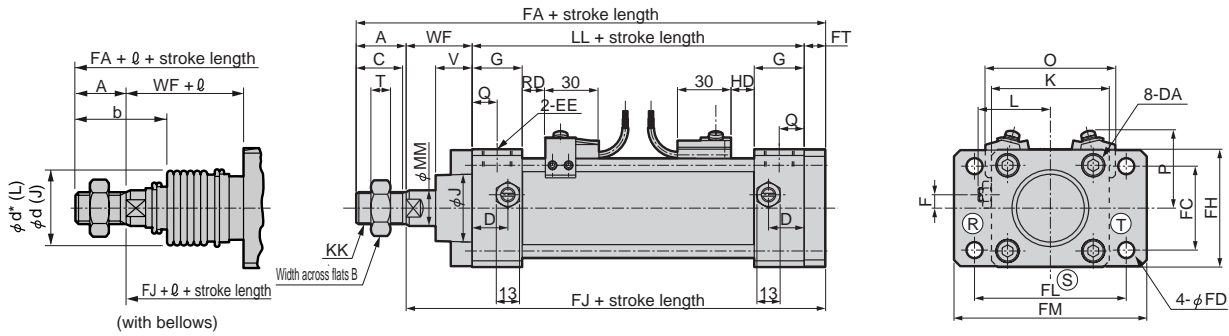
Symbol	Basic dimensions for rod end flange type (FA)																			Installation dimensions						
Bore size (mm)	A	B	C	D	DA	EE	F	G	J	K	KK	L	LL	MM	N	Q	T	V	WF	X	FC	FD	FF	FG	MT	FH
$\phi 40$	22	22	20	18	M8	Rc1/4	7.5	26	31	57	M14 x 1.5	38 to 39.5	93	16	2	13	8	18.5	33.5	150.5	40	9	21.5	107	12	57
$\phi 50$	28	27	26	20	M8	Rc3/8	0	28	38	66	M18 x 1.5	41 to 43.5	101	20	2.5	14	11	20.5	37	168.5	47	9	25	115.5	12	65
$\phi 63$	28	27	26	22	M8	Rc3/8	0	30	38	80	M18 x 1.5	47.5 to 50.0	105	20	3	15	11	21	35	171	60	11	19	124	16	80
$\phi 80$	36	32	34	26	M12	Rc1/2	0	34	43	98	M22 x 1.5	56 to 59	116	25	3.5	17	13	23.5	48	203.5	74	14	29	138.5	19	98
$\phi 100$	45	41	43	28	M12	Rc1/2	0	36	51	118	M26 x 1.5	66 to 69	128	30	4	18	16	32	53	230	88	14	34	151	19	118

Symbol	With bellows											With switch								
	FL	FM	b	d	d*	ℓ						O	P	T0, T5, T2, T3		T1, T2Y, T3Y, T2YFM, T3YFM		T8		
						50 or less	50 to 100	100 to 150	150 to 200	200 to 300	300 to 400			400 to 500	Over 500	RD	HD		RD	HD
$\phi 40$	80	100	41	40	40	25.5	41.5	58.5	75.5	108.5	141.5	174.5	(stroke length/3.0) + 8	66	41.5	11	11	10	10	5
$\phi 50$	85	108	47	47	48	22	36	49	63	90	119	146	(stroke length/3.6) + 7.5	73	43	13	13	12	12	7
$\phi 63$	106	130	45	47	48	22	36	49	63	90	119	146	(stroke length/3.6) + 7.5	85	47	13	13	12	12	7
$\phi 80$	125	153	58.5	53	55	14	26	38	49	72	96	119	(stroke length/4.3) + 2.5	105	57	14.5	14.5	13.5	13.5	8.5
$\phi 100$	144	180	69.5	61	65	20	32	42	53	76	98	120	(stroke length/4.5) + 9	121	63	18.5	18.5	17.5	17.5	12.5

Dimensions



● Head end flange type (FB)



Note 1: For ℓ dimensions, round up decimal places.

Note 3: Refer to page 597 for the projecting dimensions of T2YD, H0 switch.

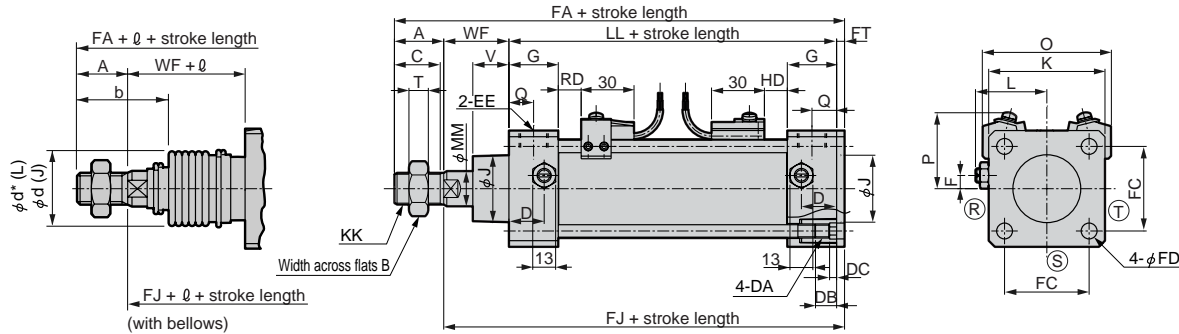
Note 2: R, S and T indicates a cushion needle position.

Note 4: Refer to pages 598, 599 for accessory dimensions.

Symbol	Basic dimensions for head end flange type (FB)																	Installation dimensions					
	A	B	C	D	DA	EE	F	G	J	K	KK	L	LL	MM	Q	T	V	WF	FA	FC	FD	FH	FJ
$\phi 40$	22	22	20	18	M8	Rc1/4	7.5	26	31	57	M14 x 1.5	38 to 39.5	93	16	13	8	18.5	33.5	160.5	40	9	57	138.5
$\phi 50$	28	27	26	20	M8	Rc3/8	0	28	38	66	M18 x 1.5	41 to 43.5	101	20	14	11	20.5	37	178	47	9	65	150
$\phi 63$	28	27	26	22	M8	Rc3/8	0	30	38	80	M18 x 1.5	47.5 to 50.0	105	20	15	11	21	35	184	60	11	80	156
$\phi 80$	36	32	34	26	M12	Rc1/2	0	34	43	98	M22 x 1.5	56 to 59	116	25	17	13	23.5	48	219	74	14	98	183
$\phi 100$	45	41	43	28	M12	Rc1/2	0	36	51	118	M26 x 1.5	66 to 69	128	30	18	16	32	53	245	88	14	118	200

Symbol	With bellows											With switch									
	FL	FM	FT	ℓ								O	P	T0, T5, T2, T3		T1, T2Y, T3Y, T2YFM, T3YFM		T8			
				b	d	d*	50 or less	50 to 100	100 to 150	150 to 200	200 to 300			300 to 400	400 to 500	Over 500	RD		HD	RD	HD
$\phi 40$	80	100	12	41	40	40	25.5	41.5	58.5	75.5	108.5	141.5	174.5	(stroke length/3.0) + 8	66	41.5	11	11	10	10	5
$\phi 50$	85	108	12	47	47	48	22	36	49	63	90	119	146	(stroke length/3.6) + 7.5	73	43	13	13	12	12	7
$\phi 63$	106	130	16	45	47	48	22	36	49	63	90	119	146	(stroke length/3.6) + 7.5	85	47	13	13	12	12	7
$\phi 80$	125	153	19	58.5	53	55	14	26	38	49	72	96	119	(stroke length/4.3) + 2.5	105	57	14.5	14.5	13.5	13.5	8.5
$\phi 100$	144	180	19	69.5	61	65	20	32	42	53	76	98	120	(stroke length/4.5) + 9	121	63	18.5	18.5	17.5	17.5	12.5

● Special head end flange type (FC)



Note 1: For ℓ dimensions, round up decimal places.

Note 3: Refer to page 597 for the projecting dimensions of T2YD, H0 switch.

Note 2: R, S and T indicates a cushion needle position.

Note 4: Refer to pages 598, 599 for accessory dimensions.

Symbol	Basic dimensions for head end flange type (FC)																	Installation dimensions								
	A	B	C	D	DA	DB	DC	EE	F	G	J	K	KK	L	LL	MM	Q	T	V	WF	FA	FC	FD	FJ	FT	b
$\phi 40$	22	22	20	18	M8	12	4	Rc1/4	7.5	26	31	57	M14 x 1.5	38 to 39.5	93	16	13	8	18.5	33.5	153	40.5	9	131	4.5	41
$\phi 50$	28	27	26	20	M8	12	4	Rc3/8	0	28	38	66	M18 x 1.5	41 to 43.5	101	20	14	11	20.5	37	170.5	48	9	142.5	4.5	47
$\phi 63$	28	27	26	22	M8	12	4	Rc3/8	0	30	38	80	M18 x 1.5	47.5 to 50.0	105	20	15	11	21	35	172.5	59	9	144.5	4.5	45
$\phi 80$	36	32	34	26	M12	16	5	Rc1/2	0	34	43	98	M22 x 1.5	56 to 59	116	25	17	13	23.5	48	206	74	14	170	6	58.5
$\phi 100$	45	41	43	28	M12	16	5	Rc1/2	0	36	51	118	M26 x 1.5	66 to 69	128	30	18	16	32	53	232	90	14	187	6	69.5

Symbol	With bellows											With switch						
	d	d*	ℓ								O	P	T0, T5, T2, T3		T1, T2Y, T3Y, T2YFM, T3YFM		T8	
			50 or less	50 to 100	100 to 150	150 to 200	200 to 300	300 to 400	400 to 500	Over 500			RD	HD	RD	HD		RD/HD
$\phi 40$	40	40	25.5	41.5	58.5	75.5	108.5	141.5	174.5	(stroke length/3.0) + 8	66	41.5	11	11	10	10	5	
$\phi 50$	47	48	22	36	49	63	90	119	146	(stroke length/3.6) + 7.5	73	43	13	13	12	12	7	
$\phi 63$	47	48	22	36	49	63	90	119	146	(stroke length/3.6) + 7.5	85	47	13	13	12	12	7	
$\phi 80$	53	55	14	26	38	49	72	96	119	(stroke length/4.3) + 2.5	105	57	14.5	14.5	13.5	13.5	8.5	
$\phi 100$	61	65	20	32	42	53	76	98	120	(stroke length/4.5) + 9	121	63	18.5	18.5	17.5	17.5	12.5	

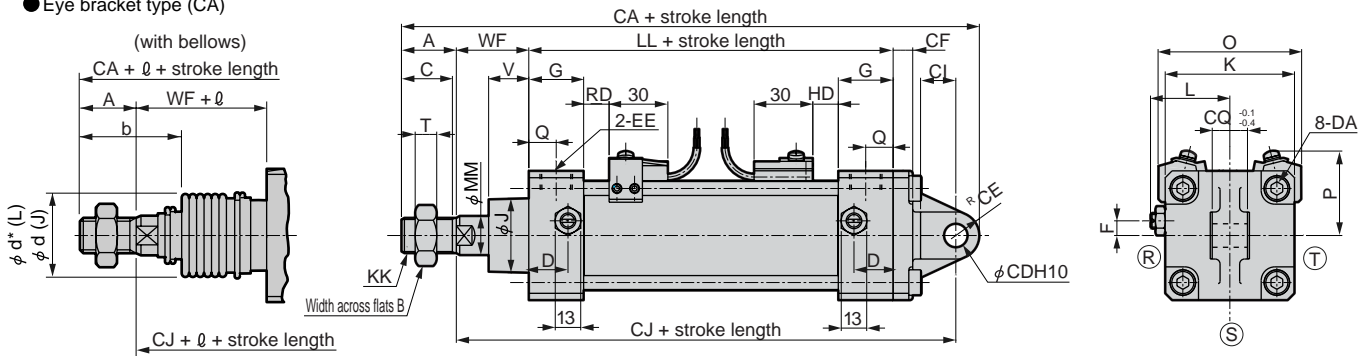
- SCP*2
- CMK2
- CMA2
- SCM
- SCG
- SCA2
- SCS
- CKV2
- CA/OV2
- SSD
- CAT
- MDC2
- MVC
- SMD2
- MSD*
- FC*
- STK
- ULK*
- JSK/M2
- JSG
- JSC3
- USSD
- USC
- JSB3
- LMB
- STG
- STS/L
- LCS
- LCG
- LCM
- LCT
- LCY
- STR2
- UCA2
- HCM
- HCA
- SRL2
- SRG
- SRM
- SRT
- MRL2
- MRG2
- SM-25
- CAC3
- UCAC
- RCC2
- MFC
- SHC
- GLC
- Ending

Medium bore size cylinder
Standard type

Dimensions



● Eye bracket type (CA)

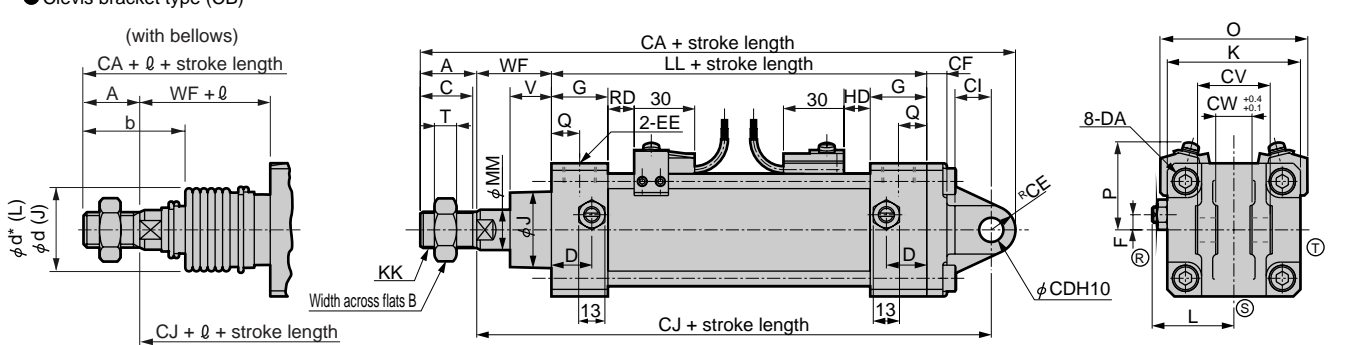


Note 1: For ℓ dimensions, round up decimal places. Note 2: R, S and T indicates a cushion needle position. Note 3: Refer to page 597 for the projecting dimensions of T2YD, H0 switch. Note 4: Refer to pages 598, 599 for accessory dimensions.

Symbol	Basic dimensions for eye bracket type (CA)																	Installation dimensions				
Bore size (mm)	A	B	C	D	DA	EE	F	G	J	K	KK	L	LL	MM	Q	T	V	WF	CA	CD	CE	CF
φ40	22	22	20	18	M8	Rc1/4	7.5	26	31	57	M14 x 1.5	38 to 39.5	93	16	13	8	18.5	33.5	192.5	12 ^{+0.070} ₀	12	10
φ50	28	27	26	20	M8	Rc3/8	0	28	38	66	M18 x 1.5	41 to 43.5	101	20	14	11	20.5	37	210	12 ^{+0.070} ₀	12	10
φ63	28	27	26	22	M8	Rc3/8	0	30	38	80	M18 x 1.5	47.5 to 50.0	105	20	15	11	21	35	221	14 ^{+0.070} ₀	16	10
φ80	36	32	34	26	M12	Rc1/2	0	34	43	98	M22 x 1.5	56 to 59	116	25	17	13	23.5	48	272	20 ^{+0.084} ₀	20	14
φ100	45	41	43	28	M12	Rc1/2	0	36	51	118	M26 x 1.5	66 to 69	128	30	18	16	32	53	298	20 ^{+0.084} ₀	20	16

Symbol	With bellows											With switch									
Bore size (mm)	CI	CJ	CQ	ℓ											O	P	T0, T5, T2, T3		T1, T2Y, T3Y, T2YFM, T3YFM		T8
				b	d	d*	50 or less	50 to 100	100 to 150	150 to 200	200 to 300	300 to 400	400 to 500	Over 500			RD	HD	RD	HD	
φ40	18	158.5	18	41	40	40	25.5	41.5	58.5	75.5	108.5	141.5	174.5	(stroke length/3.0) + 8	66	41.5	11	11	10	10	5
φ50	18	170	18	47	47	48	22	36	49	63	90	119	146	(stroke length/3.6) + 7.5	73	43	13	13	12	12	7
φ63	24	177	20	45	47	48	22	36	49	63	90	119	146	(stroke length/3.6) + 7.5	85	47	13	13	12	12	7
φ80	30	216	28	58.5	53	55	14	26	38	49	72	96	119	(stroke length/4.3) + 2.5	105	57	14.5	14.5	13.5	13.5	8.5
φ100	30	233	28	69.5	61	65	20	32	42	53	76	98	120	(stroke length/4.5) + 9	121	63	18.5	18.5	17.5	17.5	12.5

● Clevis bracket type (CB)



Note 1: For ℓ dimensions, round up decimal places. Note 2: R, S and T indicates a cushion needle position. Note 3: Refer to page 597 for the projecting dimensions of T2YD, H0 switch. Note 4: Refer to pages 598, 599 for accessory dimensions.

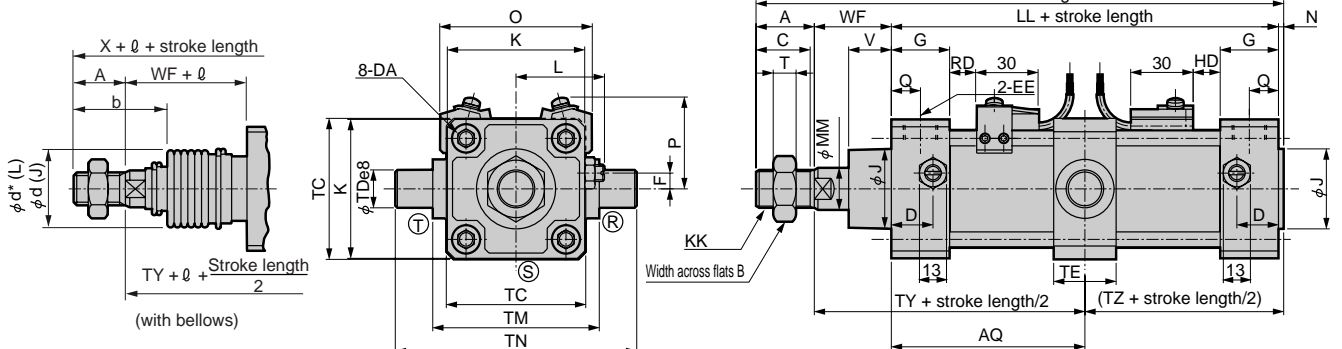
Symbol	Basic dimensions for clevis bracket type (CB)																	Installation dimensions				
Bore size (mm)	A	B	C	D	DA	EE	F	G	J	K	KK	L	LL	MM	Q	T	V	WF	CA	CD	CE	CF
φ40	22	22	20	18	M8	Rc1/4	7.5	26	31	57	M14 x 1.5	38 to 39.5	93	16	13	8	18.5	33.5	192.5	12 ^{+0.070} ₀	12	10
φ50	28	27	26	20	M8	Rc3/8	0	28	38	66	M18 x 1.5	41 to 43.5	101	20	14	11	20.5	37	210	12 ^{+0.070} ₀	12	10
φ63	28	27	26	22	M8	Rc3/8	0	30	38	80	M18 x 1.5	47.5 to 50.0	105	20	15	11	21	35	221	14 ^{+0.070} ₀	16	10
φ80	36	32	34	26	M12	Rc1/2	0	34	43	98	M22 x 1.5	56 to 59	116	25	17	13	23.5	48	272	20 ^{+0.084} ₀	20	14
φ100	45	41	43	28	M12	Rc1/2	0	36	51	118	M26 x 1.5	66 to 69	128	30	18	16	32	53	298	20 ^{+0.084} ₀	20	16

Symbol	Installation dimensions			With bellows											With switch									
Bore size (mm)	CI	CJ	CV	CW	ℓ											O	P	T0, T5, T2, T3		T1, T2Y, T3Y, T2YFM, T3YFM		T8		
					b	d	d*	50 or less	50 to 100	100 to 150	150 to 200	200 to 300	300 to 400	400 to 500	Over 500			RD	HD	RD	HD		RD/HD	
φ40	18	158.5	36	18	41	40	40	25.5	41.5	58.5	75.5	108.5	141.5	174.5	(stroke length/3.0) + 8	66	41.5	11	11	10	10	5		
φ50	18	170	36	18	47	47	48	22	36	49	63	90	119	146	(stroke length/3.6) + 7.5	73	43	13	13	12	12	7		
φ63	24	177	40	20	45	47	48	22	36	49	63	90	119	146	(stroke length/3.6) + 7.5	85	47	13	13	12	12	7		
φ80	30	216	56	28	58.5	53	55	14	26	38	49	72	96	119	(stroke length/4.3) + 2.5	105	57	14.5	14.5	13.5	13.5	8.5		
φ100	30	233	56	28	69.5	61	65	20	32	42	53	76	98	120	(stroke length/4.5) + 9	121	63	18.5	18.5	17.5	17.5	12.5		

Dimensions



Center trunnion type (TC)



Note 1: For l dimensions, round up decimal places.

Note 2: R, S and T indicates a cushion needle position.

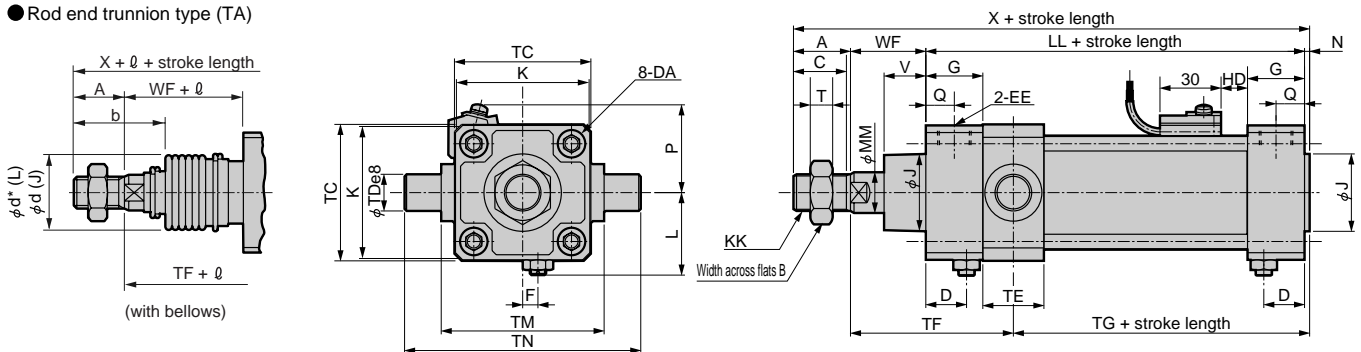
Note 3: Refer to page 597 for the projecting dimensions of T2YD, H0 switch.

Note 4: Refer to pages 598, 599 for accessory dimensions.

Symbol	Basic dimensions for center trunnion type (TC)																			Installation dimensions			
	A	B	C	D	DA	EE	F	G	J	K	KK	L	LL	MM	N	Q	T	V	WF	X	AQ	TC	TD
$\phi 40$	22	22	20	18	M8	Rc1/4	7.5	26	31	57	M14 x 1.5	38 to 39.5	93	16	2	13	8	18.5	33.5	150.5	46.5+ Stroke length 2	57	16 ^{+0.032} -0.059
$\phi 50$	28	27	26	20	M8	Rc3/8	0	28	38	66	M18 x 1.5	41 to 43.5	101	20	2.5	14	11	20.5	37	168.5	50.5+ Stroke length 2	67	18 ^{+0.032} -0.059
$\phi 63$	28	27	26	22	M8	Rc3/8	0	30	38	80	M18 x 1.5	47.5 to 50.0	105	20	3	15	11	21	35	171	52.5+ Stroke length 2	82	20 ^{+0.040} -0.073
$\phi 80$	36	32	34	26	M12	Rc1/2	0	34	43	98	M22 x 1.5	56 to 59	116	25	3.5	17	13	23.5	48	203.5	58+ Stroke length 2	100	25 ^{+0.040} -0.073
$\phi 100$	45	41	43	28	M12	Rc1/2	0	36	51	118	M26 x 1.5	66 to 69	128	30	4	18	16	32	53	230	64+ Stroke length 2	121	35 ^{+0.050} -0.089

Symbol	Installation dimensions					With bellows												With switch						
	TE	TM	TN	TY	TZ	b	d	d*	l							O	P	T0, T5, T2, T3		T1, T2Y, T3Y, T2YFM, T3YFM		T8		
									50 or less	50 to 100	100 to 150	150 to 200	200 to 300	300 to 400	400 to 500			Over 500	RD	HD	RD		HD	RD/HD
$\phi 40$	30	63	95	80	48.5	41	40	40	25.5	41.5	58.5	75.5	108.5	141.5	174.5	(stroke length/3.0) + 8	66	41.5	11	11	10	10	5	
$\phi 50$	30	80	116	87.5	53	47	47	48	22	36	49	63	90	119	146	(stroke length/3.6) + 7.5	73	43	13	13	12	12	7	
$\phi 63$	35	90	130	87.5	55.5	45	47	48	22	36	49	63	90	119	146	(stroke length/3.6) + 7.5	85	47	13	13	12	12	7	
$\phi 80$	40	115	165	106	61.5	58.5	53	55	14	26	38	49	72	96	119	(stroke length/4.3) + 2.5	105	57	14.5	14.5	13.5	13.5	8.5	
$\phi 100$	50	135	205	117	68	69.5	61	65	20	32	42	53	76	98	120	(stroke length/4.5) + 9	121	63	18.5	18.5	17.5	17.5	12.5	

Rod end trunnion type (TA)



Note 1: A position can not be detected at rod side stroke end.

Note 2: For l dimensions, round up decimal places.

Note 3: A cushion needle position can not be changed.

Note 4: Refer to page 597 for the projecting dimensions of T2YD, H0 switch.

Note 5: Refer to pages 598, 599 for accessory dimensions.

Symbol	Basic dimensions for rod end trunnion type (TA)																			Installation dimensions		
	A	B	C	D	DA	EE	F	G	J	K	KK	L	LL	MM	N	Q	T	V	WF	X	TC	TD
$\phi 40$	22	22	20	18	M8	Rc1/4	7.5	26	31	57	M14 x 1.5	38 to 39.5	93	16	2	13	8	18.5	33.5	150.5	57	16 ^{+0.032} -0.059
$\phi 50$	28	27	26	20	M8	Rc3/8	0	28	38	66	M18 x 1.5	41 to 43.5	101	20	2.5	14	11	20.5	37	168.5	67	18 ^{+0.032} -0.059
$\phi 63$	28	27	26	22	M8	Rc3/8	0	30	38	80	M18 x 1.5	47.5 to 50.0	105	20	3	15	11	21	35	171	82	20 ^{+0.040} -0.073
$\phi 80$	36	32	34	26	M12	Rc1/2	0	34	43	98	M22 x 1.5	56 to 59	116	25	3.5	17	13	23.5	48	203.5	100	25 ^{+0.040} -0.073
$\phi 100$	45	41	43	28	M12	Rc1/2	0	36	51	118	M26 x 1.5	66 to 69	128	30	4	18	16	32	53	230	121	35 ^{+0.050} -0.089

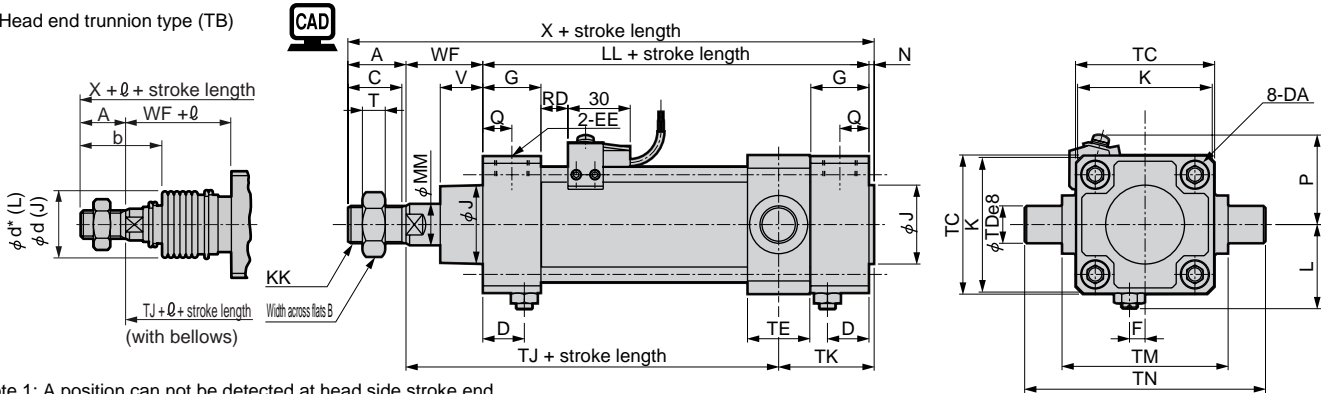
Symbol	Installation dimensions					With bellows												With switch						
	TE	TF	TG	TM	TN	b	d	d*	l							O	P	T0, T5, T2, T3		T1, T2Y, T3Y, T2YFM, T3YFM		T8		
									50 or less	50 to 100	100 to 150	150 to 200	200 to 300	300 to 400	400 to 500			Over 500	RD	HD	RD		HD	RD/HD
$\phi 40$	30	74.5	54	63	95	41	40	40	25.5	41.5	58.5	75.5	108.5	141.5	174.5	(stroke length/3.0) + 8	66	41.5	11	11	10	10	5	
$\phi 50$	30	80	60.5	80	116	47	47	48	22	36	49	63	90	119	146	(stroke length/3.6) + 7.5	73	43	13	13	12	12	7	
$\phi 63$	35	82.5	60.5	90	130	45	47	48	22	36	49	63	90	119	146	(stroke length/3.6) + 7.5	85	47	13	13	12	12	7	
$\phi 80$	40	102	65.5	115	165	58.5	53	55	14	26	38	49	72	96	119	(stroke length/4.3) + 2.5	105	57	14.5	14.5	13.5	13.5	8.5	
$\phi 100$	50	114	71	135	205	69.5	61	65	20	32	42	53	76	98	120	(stroke length/4.5) + 9	121	63	18.5	18.5	17.5	17.5	12.5	

- SCP*2
- CMK2
- CMA2
- SCM
- SCG
- SCA2
- SCS
- CKV2
- CA/OV2
- SSD
- CAT
- MDC2
- MVC
- SMD2
- MSD*
- FC*
- STK
- ULK*
- JSK/M2
- JSG
- JSC3
- USSD
- USC
- JSB3
- LMB
- STG
- STS/L
- LCS
- LCG
- LCM
- LCT
- LCY
- STR2
- UCA2
- HCM
- HCA
- SRL2
- SRG
- SRM
- SRT
- MRL2
- MRG2
- SM-25
- CAC3
- UCAC
- RCC2
- MFC
- SHC
- GLC
- Ending

Medium bore size cylinder
Standard type

Dimensions

● Head end trunnion type (TB)



Note 1: A position can not be detected at head side stroke end.

Note 2: For ℓ dimensions, round up decimal places.

Note 3: A cushion needle position can not be changed.

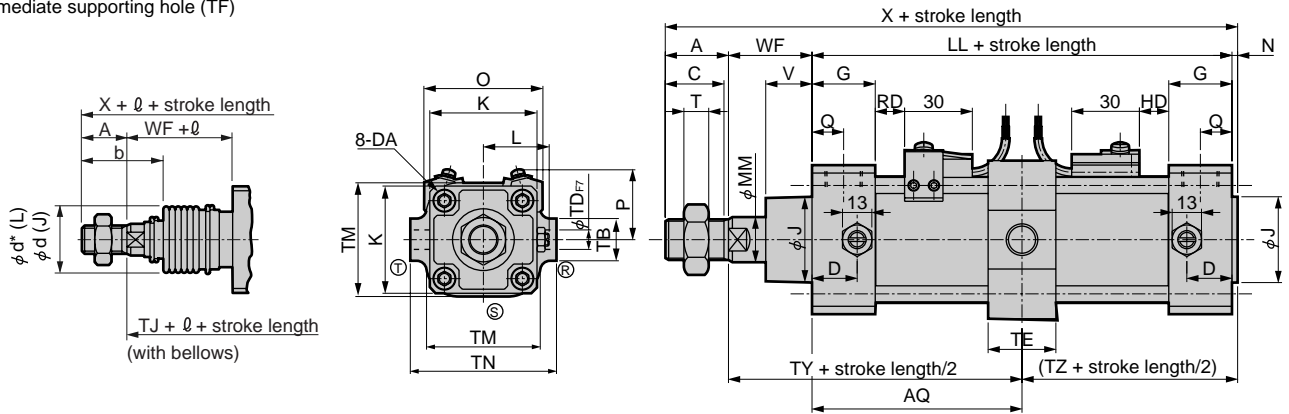
Note 4: Refer to page 597 for the projecting dimensions of T2YD, H0 switch.

Note 5: Refer to page 598, 599 for accessory dimensions.

Symbol	Basic dimensions for head end trunnion type (TB)																			Installation dimensions			
	A	B	C	D	DA	EE	F	G	J	K	KK	L	LL	MM	N	Q	T	V	WF	X	TC	TD	
$\phi 40$	22	22	20	18	M8	Rc1/4	7.5	26	31	57	M14 x 1.5	38 to 39.5	93	16	2	13	8	18.5	33.5	150.5	57	16	^{-0.032} _{-0.059}
$\phi 50$	28	27	26	20	M8	Rc3/8	0	28	38	66	M18 x 1.5	41 to 43.5	101	20	2.5	14	11	20.5	37	168.5	67	18	^{-0.032} _{-0.059}
$\phi 63$	28	27	26	22	M8	Rc3/8	0	30	38	80	M18 x 1.5	47.5 to 50.0	105	20	3	15	11	21	35	171	82	20	^{-0.040} _{-0.073}
$\phi 80$	36	32	34	26	M12	Rc1/2	0	34	43	98	M22 x 1.5	56 to 59	116	25	3.5	17	13	23.5	48	203.5	100	25	^{-0.040} _{-0.073}
$\phi 100$	45	41	43	28	M12	Rc1/2	0	36	51	118	M26 x 1.5	66 to 69	128	30	4	18	16	32	53	230	121	35	^{-0.050} _{-0.089}

Symbol	Installation dimensions					With bellows										With switch							
	TE	TJ	TM	TN	TK	b	d	d*	ℓ							O	P	T0, T5, T2, T3		T1, T2Y, T3Y, T2YF/M, T3YF/M		T8	
									50 or less	50 to 100	100 to 150	150 to 200	200 to 300	300 to 400	400 to 500			Over 500	RD	HD	RD		HD
$\phi 40$	30	85	63	95	43.5	41	40	40	25.5	41.5	58.5	75.5	108.5	141.5	174.5	(stroke length/3.0) + 8	66	41.5	11	11	10	10	5
$\phi 50$	30	94.5	80	116	46	47	47	48	22	36	49	63	90	119	146	(stroke length/3.6) + 7.5	73	43	13	13	12	12	7
$\phi 63$	35	92	90	130	51	45	47	48	22	36	49	63	90	119	146	(stroke length/3.6) + 7.5	85	47	13	13	12	12	7
$\phi 80$	40	109.5	115	165	58	58.5	53	55	14	26	38	49	72	96	119	(stroke length/4.3) + 2.5	105	57	14.5	14.5	13.5	13.5	8.5
$\phi 100$	50	119.5	135	205	65.5	69.5	61	65	20	32	42	53	76	98	120	(stroke length/4.5) + 9	121	63	18.5	18.5	17.5	17.5	12.5

● Intermediate supporting hole (TF)



Note 1: For ℓ dimensions, round up decimal places.

Note 2: R, S and T indicates a cushion needle position.

Note 3: Refer to page 597 for the projecting dimensions of T2YD, H0 switch.

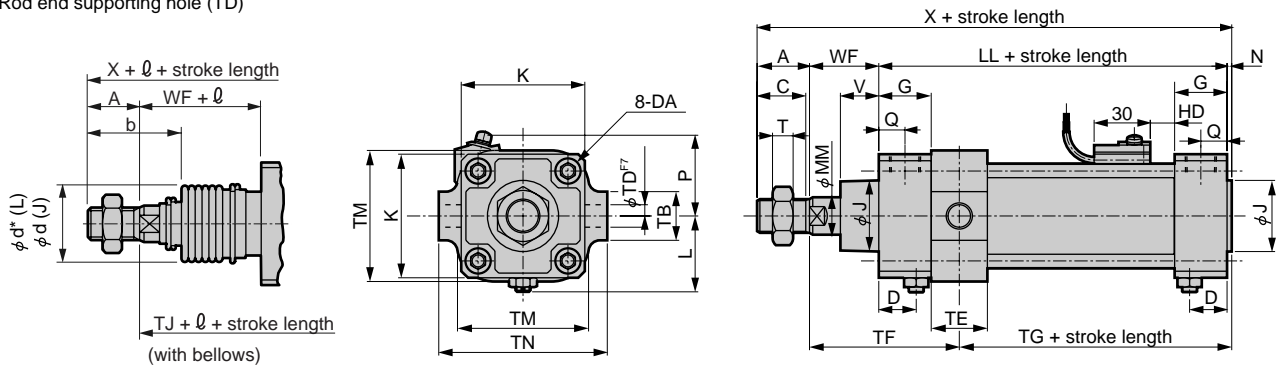
Note 4: Refer to pages 598, 599 for accessory dimensions.

Symbol	Basic dimensions for enter trunnion type (TC)																			Installation dimensions			
	A	B	C	D	DA	EE	G	J	K	KK	L	LL	MM	N	Q	T	V	WF	X	AQ	TB	TD	
$\phi 50$	28	27	26	20	M8	Rc3/8	28	38	66	M18 x 1.5	41 to 43.5	101	20	2.5	14	11	20.5	37	168.5	50.5+	^{Stroke length} ₂	26	12
$\phi 63$	28	27	26	22	M8	Rc3/8	30	38	80	M18 x 1.5	47.5 to 50.0	105	20	3	15	11	21	35	171	52.5+	^{Stroke length} ₂	30	14
$\phi 80$	36	32	34	26	M12	Rc1/2	34	43	98	M22 x 1.5	56 to 59	116	25	3.5	17	13	23.5	48	203.5	58+	^{Stroke length} ₂	35	20
$\phi 100$	45	41	43	28	M12	Rc1/2	36	51	118	M26 x 1.5	66 to 69	128	30	4	18	16	32	53	230	64+	^{Stroke length} ₂	40	20

Symbol	Installation dimensions					With bellows										With switch							
	TE	TM	TN	TY	TZ	b	d	d*	ℓ							O	P	T0, T5, T2, T3		T1, T2Y, T3Y, T2YF/M, T3YF/M		T8	
									50 or less	50 to 100	100 to 150	150 to 200	200 to 300	300 to 400	400 to 500			Over 500	RD	HD	RD		HD
$\phi 50$	30	70	90	87.5	53	47	47	48	22	36	49	63	90	119	146	(stroke length/3.6) + 7.5	73	43	13	13	12	12	7
$\phi 63$	35	86	104	87.5	55.5	45	47	48	22	36	49	63	90	119	146	(stroke length/3.6) + 7.5	85	47	13	13	12	12	7
$\phi 80$	40	105	134	106	61.5	58.5	53	55	14	26	38	49	72	96	119	(stroke length/4.3) + 2.5	105	57	14.5	14.5	13.5	13.5	8.5
$\phi 100$	40	127	150	117	68	69.5	61	65	20	32	42	53	76	98	120	(stroke length/4.5) + 9	121	63	18.5	18.5	17.5	17.5	12.5

Dimensions

● Rod end supporting hole (TD)

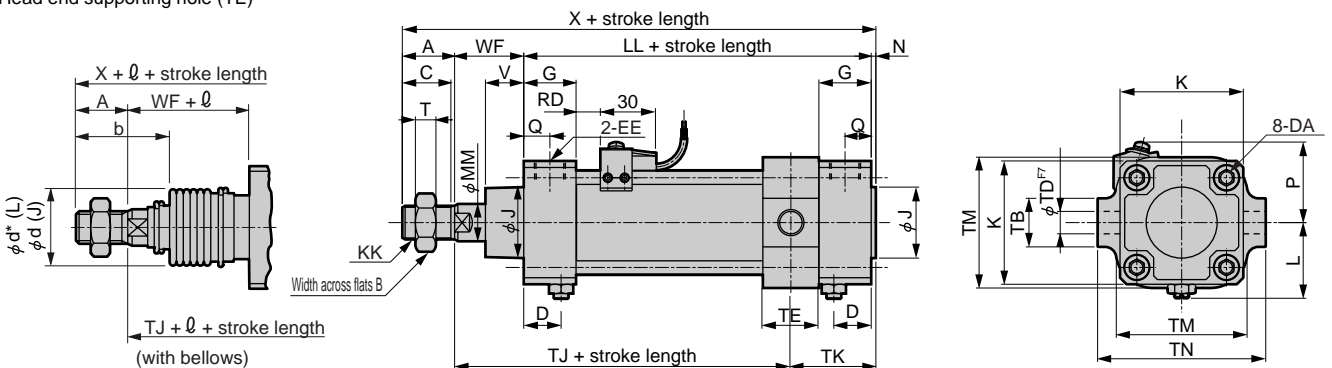


- Note 1: A position can not be detected at rod side stroke end.
 Note 2: For ℓ dimensions, round up decimal places.
 Note 3: A cushion needle position can not be changed.
 Note 4: Refer to page 597 for the projecting dimensions of T2YD, H0 switch.
 Note 5: Refer to page 598, 599 for accessory dimensions.

Symbol	Basic dimensions for rod end trunnion type (TA)																		Installation dimensions		
Bore size (mm)	A	B	C	D	DA	EE	G	J	K	KK	L	LL	MM	N	Q	T	V	WF	X	TB	TD
$\phi 50$	28	27	26	20	M8	Rc3/8	28	38	66	M18 x 1.5	41 to 43.5	101	20	2.5	14	11	20.5	37	168.5	26	12
$\phi 63$	28	27	26	22	M8	Rc3/8	30	38	80	M18 x 1.5	47.5 to 50.0	105	20	3	15	11	21	35	171	30	14
$\phi 80$	36	32	34	26	M12	Rc1/2	34	43	98	M22 x 1.5	56 to 59	116	25	3.5	17	13	23.5	48	203.5	35	20
$\phi 100$	45	41	43	28	M12	Rc1/2	36	51	118	M26 x 1.5	66 to 69	128	30	4	18	16	32	53	230	40	20

Symbol	Installation dimensions					With bellows										With switch							
Bore size (mm)	TE	TF	TG	TM	TN	b	d	d*	ℓ							O	P	T0, T5, T2, T3	T1, T2Y, T3Y, T2YFM, T3YFM	T8			
									50 or less	50 to 100	100 to 150	150 to 200	200 to 300	300 to 400	400 to 500						Over 500	RD	HD
$\phi 50$	30	80	60.5	70	90	47	47	48	22	36	49	63	90	119	146	(stroke length/3.6) + 7.5	73	43	13	13	12	12	7
$\phi 63$	35	82.5	60.5	86	104	45	47	48	22	36	49	63	90	119	146	(stroke length/3.6) + 7.5	85	47	13	13	12	12	7
$\phi 80$	40	102	65.5	105	134	58.5	53	55	14	26	38	49	72	96	119	(stroke length/4.3) + 2.5	105	57	14.5	14.5	13.5	13.5	8.5
$\phi 100$	40	109	76	127	150	69.5	61	65	20	32	42	53	76	98	120	(stroke length/4.5) + 9	121	63	18.5	18.5	17.5	17.5	12.5

● Head end supporting hole (TE)



- Note 1: A position can not be detected at head side stroke end.
 Note 2: For ℓ dimensions, round up decimal places.
 Note 3: A cushion needle position can not be changed.
 Note 4: Refer to page 597 for the projecting dimensions of T2YD, H0 switch.
 Note 5: Refer to page 598, 599 for accessory dimensions.

Symbol	Basic dimensions for head end trunnion type (TB)																		Installation dimensions		
Bore size (mm)	A	B	C	D	DA	EE	G	J	K	KK	L	LL	MM	N	Q	T	V	WF	X	TB	TD
$\phi 50$	28	27	26	20	M8	Rc3/8	28	38	66	M18 x 1.5	41 to 43.5	101	20	2.5	14	11	20.5	37	168.5	26	12
$\phi 63$	28	27	26	22	M8	Rc3/8	30	38	80	M18 x 1.5	47.5 to 50.0	105	20	3	15	11	21	35	171	30	14
$\phi 80$	36	32	34	26	M12	Rc1/2	34	43	98	M22 x 1.5	56 to 59	116	25	3.5	17	13	23.5	48	203.5	35	20
$\phi 100$	45	41	43	28	M12	Rc1/2	36	51	118	M26 x 1.5	66 to 69	128	30	4	18	16	32	53	230	40	20

Symbol	Installation dimensions					With bellows										With switch							
Bore size (mm)	TE	TJ	TM	TN	TK	b	d	d*	ℓ							O	P	T0, T5, T2, T3	T1, T2Y, T3Y, T2YFM, T3YFM	T8			
									50 or less	50 to 100	100 to 150	150 to 200	200 to 300	300 to 400	400 to 500						Over 500	RD	HD
$\phi 50$	30	94.5	70	90	46	47	47	48	22	36	49	63	90	119	146	(stroke length/3.6) + 7.5	73	43	13	13	12	12	7
$\phi 63$	35	92	86	104	51	45	47	48	22	36	49	63	90	119	146	(stroke length/3.6) + 7.5	85	47	13	13	12	12	7
$\phi 80$	40	109.5	105	134	58	58.5	53	55	14	26	38	49	72	96	119	(stroke length/4.3) + 2.5	105	57	14.5	14.5	13.5	13.5	8.5
$\phi 100$	40	124.5	127	150	60.5	69.5	61	65	20	32	42	53	76	98	120	(stroke length/4.5) + 9	121	63	18.5	18.5	17.5	17.5	12.5

- SCP*2
- CMK2
- CMA2
- SCM
- SCG
- SCA2
- SCS
- CKV2
- CA/OV2
- SSD
- CAT
- MDC2
- MVC
- SMD2
- MSD*
- FC*
- STK
- ULK*
- JSK/M2
- JSG
- JSC3
- USSD
- USC
- JSB3
- LMB
- STG
- STS/L
- LCS
- LCG
- LCM
- LCT
- LCY
- STR2
- UCA2
- HCM
- HCA
- SRL2
- SRG
- SRM
- SRT
- MRL2
- MRG2
- SM-25
- CAC3
- UCAC
- RCC2
- MFC
- SHC
- GLC

Ending

Medium bore size cylinder
Standard type