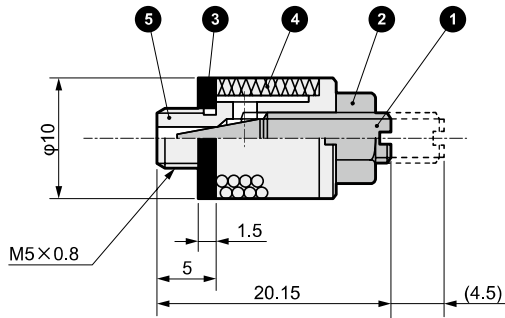


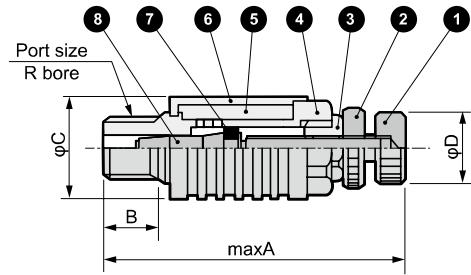
## Internal structure and parts list/dimensions



● FMS-M5



● SMW-10A/15A



| No. | Part name  | Material             |
|-----|------------|----------------------|
| 1   | Needle     | Copper alloy         |
| 2   | Lock nut   | Copper alloy         |
| 3   | Gasket     | Nitrile rubber       |
| 4   | Filter     | Copper alloy casting |
| 5   | Valve body | Copper alloy         |

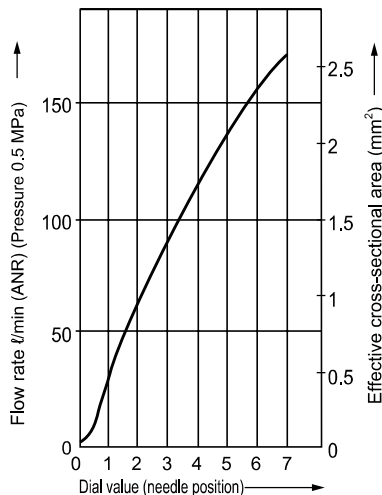
| Model No. | A  | B  | C  | D  | Port size |
|-----------|----|----|----|----|-----------|
| SMW-10A   | 85 | 12 | 25 | 16 | R3/8      |
| SMW-15A   | 98 | 15 | 28 | 16 | R1/2      |

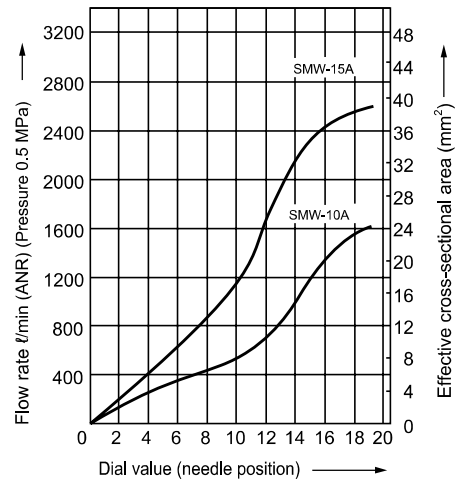
| No. | Part name  | Material     | No. | Part name                | Material        |
|-----|------------|--------------|-----|--------------------------|-----------------|
| 1   | Knob       | Copper alloy | 5   | Sound absorbent material | Felt            |
| 2   | Lock nut   | Copper alloy | 6   | Cover                    | Polyamide resin |
| 3   | Gland nut  | Copper alloy | 7   | O-ring                   | Nitrile rubber  |
| 4   | Shaft body | Copper alloy | 8   | Spindle                  | Copper alloy    |

## Flow characteristics

● FMS



● SMW-10A/15A



## ⚠ Safety precautions

● Tightening torque

| Thread size | Tightening torque (N·m) |
|-------------|-------------------------|
| M5          | 1.0                     |
| R3/8        | 3.0                     |
| R1/2        | 3.0                     |

|                          |
|--------------------------|
| F.R.L                    |
| F (Filtr)                |
| R (Reg)                  |
| L (Lub)                  |
| PresSW                   |
| Shutoff                  |
| SlowStart                |
| FilmResistFR             |
| Oil-ProhR                |
| MedPresFR                |
| No Cu/<br>PTFE FRL       |
| Outdrs FR                |
| F.R.L<br>(Related)       |
| CompFRL                  |
| LgFRL                    |
| PrecsR                   |
| VacF/R                   |
| Clean FR                 |
| ElecPneuR                |
| AirBoost                 |
| SpdContr                 |
| <b>Silncr</b>            |
| CheckV/<br>other         |
| Jnt/tube                 |
| AirUnt                   |
| PrecsCompn               |
| Mech/<br>ElecPresSw      |
| ContactSW                |
| AirSens                  |
| PresSW<br>Cool           |
| AirFloSens/<br>Contr     |
| WaterRISens              |
| TotAirSys<br>(Total Air) |
| TotAirSys<br>(Gamma)     |
| RefrDry                  |
| DesicDry                 |
| HiPolymDry               |
| MainFiltr                |
| Dischrg<br>etc           |
| Ending                   |