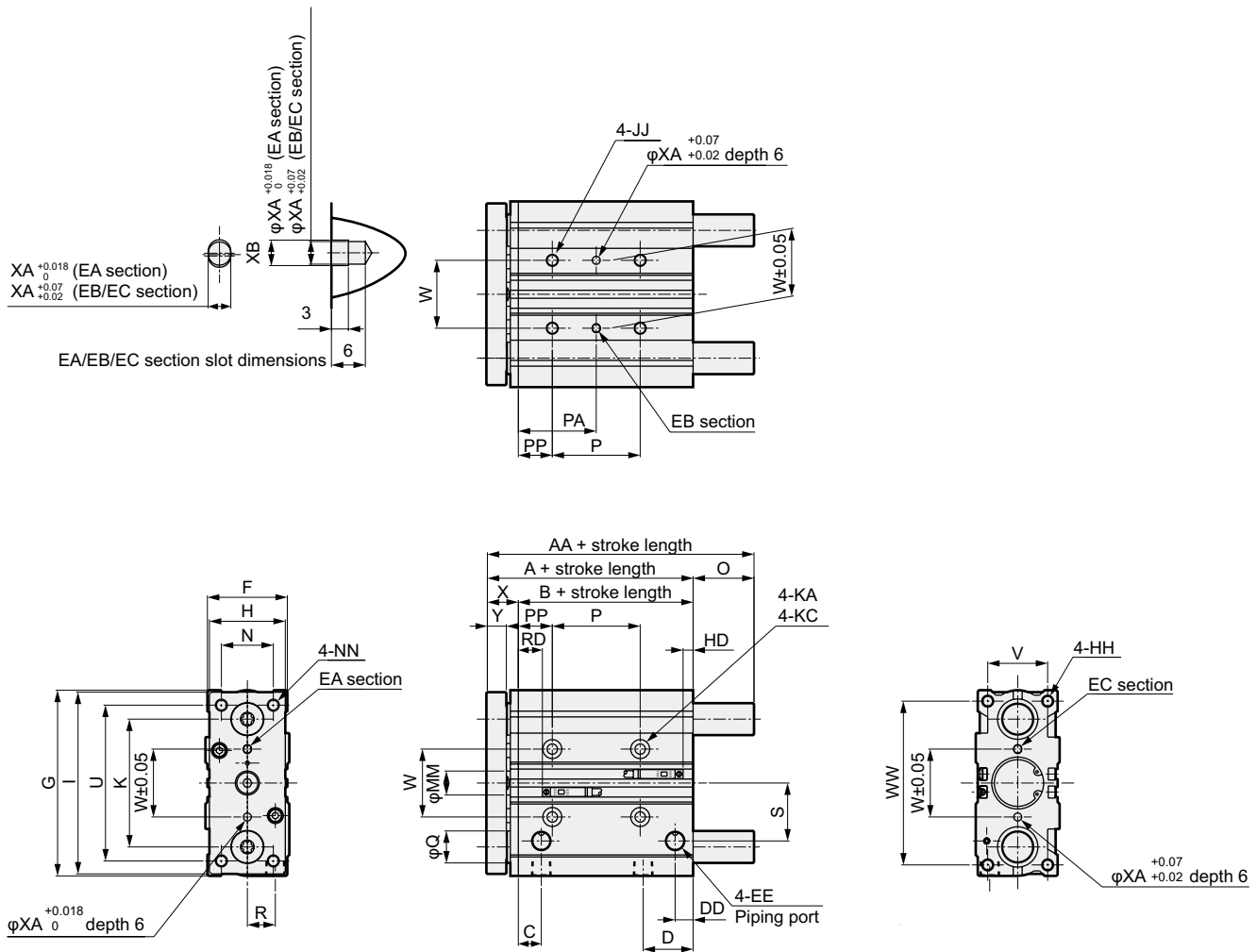


STG-MG5 Series

Dimensions (φ20, φ25)

● STG-MG5-20, 25



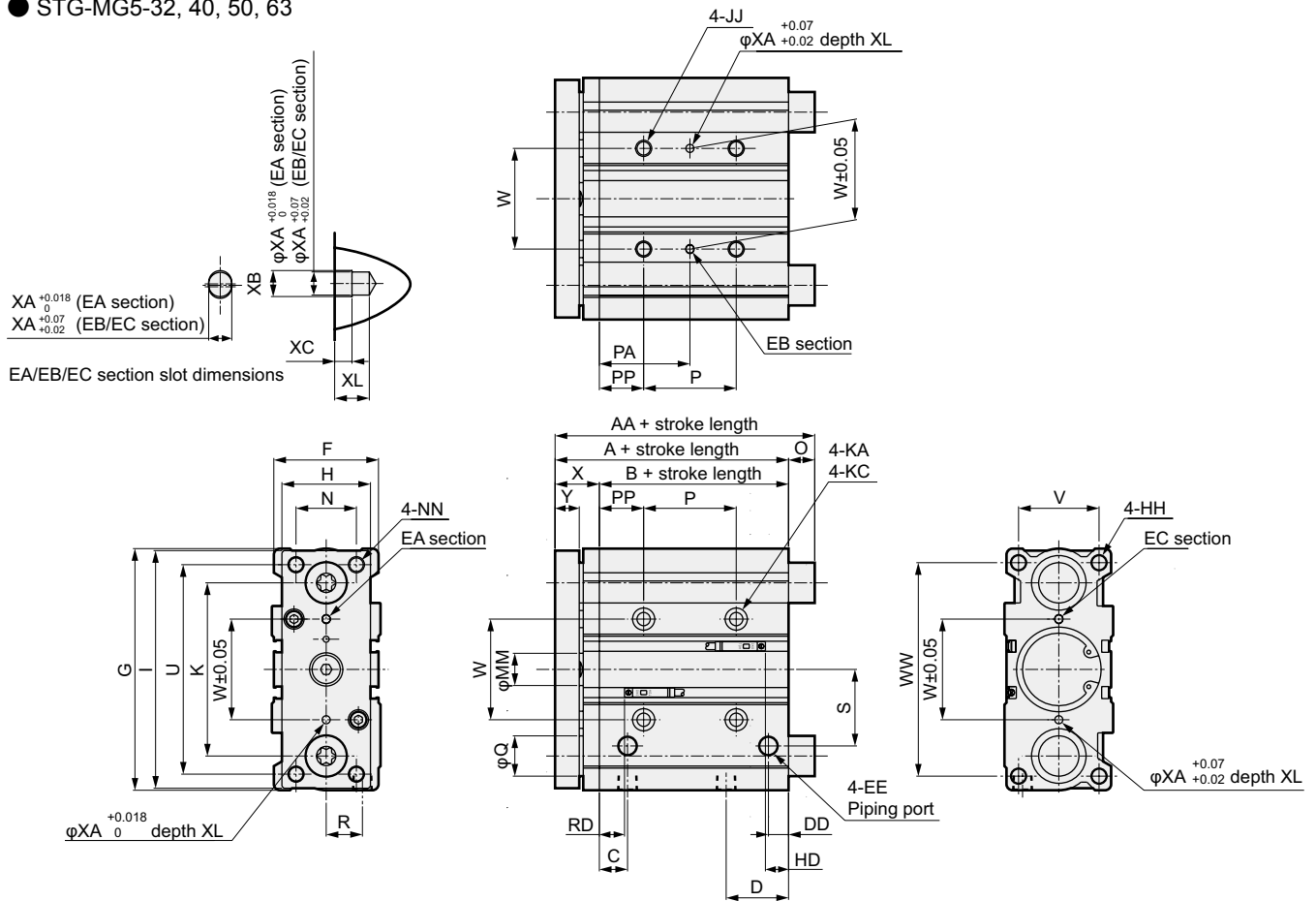
*1: When using a custom stroke length, the total dimensions are the same as the longer standard stroke length.

Code	Standard stroke length (mm)											A	B	C	D	DD	EE	F	G	H	HH	I	JJ
φ20	20,30,40,50,75,100,125,150,											53	37	10.5	24.5	8.5	Rc1/8	36	83	30	M5 depth 13	81	M6 depth 12
φ25	175,200,250,300,350,400											53.5	37.5	11.5	25	9	Rc1/8	42	93	38	M6 depth 15	91	M6 depth 12
Code	K	KA	MM	N	NN	KG	P																
Bore size							30 or less	Over 30 to 100	Over 100 to 200	Over 200 to 300	Over 300												
φ20	54	5.2 through	10	18	M5 through	9.5 spot face depth 5.5	24	44	120	200	300												
φ25	64	5.2 through	12	26	M6 through	9.5 spot face depth 5.5	24	44	120	200	300												
Code	PA					PP	R	S	U	V	W	WW	X	Y	XA	XB							
Bore size	30 or less	Over 30 to 100	Over 100 to 200	Over 200 to 300	Over 300																		
φ20	29	39	77	117	167	17	11	25	70	24	28	72	16	9.5	3	3.5							
φ25	29	39	77	117	167	17	14	29	78	30	34	82	16	9.5	4	4.5							
Code	AA			Q	O																		
Bore size	50 or less	Over 50 to 200	Over 200		50 or less	Over 50 to 200	Over 200																
φ20	53	78	122	12	0	25	69																
φ25	53.5	84	122	16	0	30.5	68.5																

Switch dimensions	Reed/proximity 1-color		Proximity 2-color		T8H/V switch	
Bore size	HD	RD	HD	RD	HD	RD
φ20	8.5	9.5	7.5	8.5	2.5	3.5
φ25	8.5	10	7.5	9	2.5	4

Dimensions (φ32, φ40, φ50, φ63)

● STG-MG5-32, 40, 50, 63



*1: When using a custom stroke length, the total dimensions are the same as the longer standard stroke length.

Code	Standard stroke length (mm)	A	B	C	D	DD	EE	F	G	H	HH	I	JJ	K	KA
φ32	25,50,75,100,125, 150,175,200,250, 300,350,400	59.5	37.5	12.5	30.5	9	Rc1/8	48	112	44	M8 depth 20	110	M8 depth 16	78	6.3 through
φ40		66	44	14	31	10	Rc1/8	54	120	44	M8 depth 20	118	M8 depth 16	86	6.3 through
φ50		72	44	14	35	11	Rc1/4	64	148	60	M10 depth 22	146	M10 depth 20	110	8.6 through
φ63		77	49	16.5	35	15	Rc1/4	78	162	70	M10 depth 22	158	M10 depth 20	124	8.6 through

Code	KC	MM	N	NN	P					PA	
					25 or less	Over 25 to 100	Over 100 to 200	Over 200 to 300	Over 300	25 or less	Over 25 to 100
φ32	11 spot face depth 7.5	16	30	M8 through	24	48	124	200	300	33	45
φ40	11 spot face depth 7.5	16	30	M8 through	24	48	124	200	300	34	46
φ50	14 spot face depth 9	20	40	M10 through	24	48	124	200	300	36	48
φ63	14 spot face depth 9	20	50	M10 through	28	52	128	200	300	38	50

Code	PA			PP	R	S	U	V	W	WW	X	Y	XA	XB	XC	XL
	Over 100 to 200	Over 200 to 300	Over 300													
φ32	83	121	171	21	15	34	96	34	42	98	22	11.5	4	4.5	3	6
φ40	84	122	172	22	18	38	104	40	50	106	22	11.5	4	4.5	3	6
φ50	86	124	174	24	21.5	47	130	46	66	130	28	15.5	5	6	4	8
φ63	88	124	174	24	28	55	130	58	80	142	28	15.5	5	6	4	8

Code	AA			Q	O		
	50 or less	Over 50 to 200	Over 200		50 or less	Over 50 to 200	Over 200
φ32	79	100	140	20	19.5	40.5	80.5
φ40	79	100	140	20	13	34	74
φ50	91	116	161	25	19	44	89
φ63	91	116	161	25	14	39	84

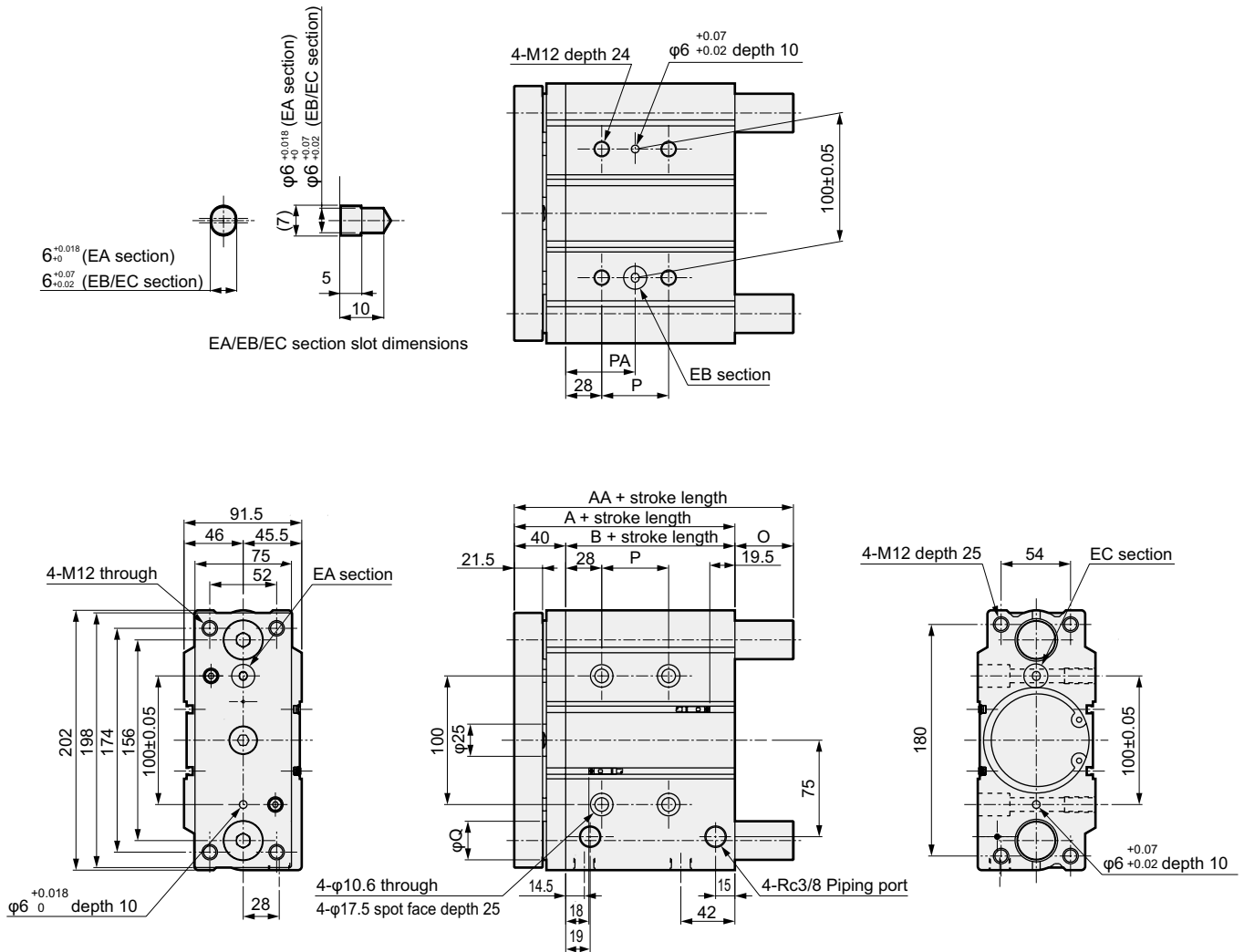
Switch dimensions	T0/T5/T2/T3		T2YH/V / T3YH/V		T2WH/V / T3WH/V switch		T8H/V switch	
	HD	RD	HD	RD	HD	RD	HD	RD
φ32	8.5	10	8	9	10.5	12	2.5	4
φ40	12	13	11	12	14	15	6	7
φ50	11.5	13.5	10.5	12.5	13.5	15.5	5.5	7.5
φ63	16	14	15	13	18	16	10	8

- LCW
- LCR
- LCG
- LCX
- LCM
- STM
- STG**
- STS/STL
- STR2
- UCA2
- ULK*
- JSK/M2
- JSG
- JSC3/JSC4
- USSD
- UFCD
- USC
- JSB3
- LMB
- LML
- HCM
- HCA
- LBC
- CAC4
- UCAC2
- CAC-N
- UCAC-N
- RCC2
- RCS
- PCC
- SHC
- MCP
- GLC
- MFC
- BBS
- RRC
- GRC
- RV3*
- NHS
- HR
- LN
- Hand
- Chuk
- MecHnd/Chuk
- ShkAbs
- FJ
- FK
- SpdContr
- Ending

STG-MG5 Series

Dimensions (φ80)

● STG-MG5-80



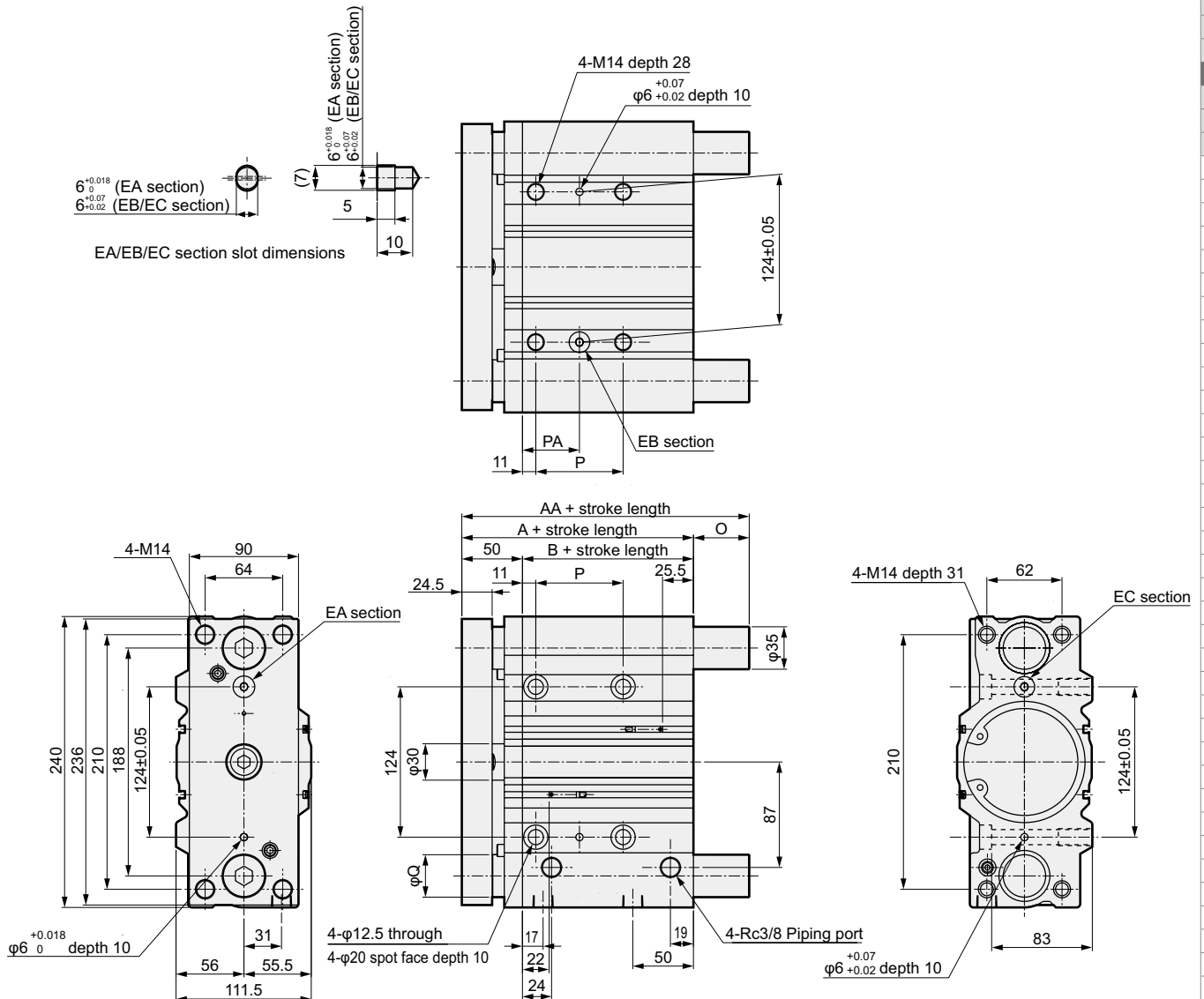
Standard stroke length (mm)	A	B	P					PA				
			25 st or less	Over 25 st to 100 st	Over 100 st to 200 st	Over 200 st to 300 st	Over 300 st	25 st or less	Over 25 st to 100 st	Over 100 st to 200 st	Over 200 st to 300 st	Over 300 st
25,50,75,100,125,150,175,200,250,300,350,400	96.5	56.5	28	52	128	200	300	42	54	92	128	178
AA			O									
50 st or less	Over 50 st to 200 st	Over 200 st	Q	50 st or less	Over 50 st to 200 st	Over 200 st						
115	142	193	30	18.5	45.5	96.5						

● Switch dimensions

T0/T5/T2/T3		T2YH/V / T3YH/V		T2WH/V / T3WH/V switch		T8H/V switch	
HD	RD	HD	RD	HD	RD	HD	RD
19.5	18	18.5	17	21.5	20	13.5	12

Dimensions (φ100)

● STG-MG5-100



LCW
LCR
LCG
LCX
LCM
STM
STG
STS/STL
STR2
UCA2
ULK*
JSK/M2
JSG
JSC3/JSC4
USSD
UFCD
USC
JSB3
LMB
LML
HCM
HCA
LBC
CAC4
UCAC2
CAC-N
UCAC-N
RCC2
RCS
PCC
SHC
MCP
GLC
MFC
BBS
RRC
GRC
RV3*
NHS
HR
LN
Hand
Chuk
MecHnd/Chuk
ShkAbs
FJ
FK
SpdContr
Ending

Standard stroke length (mm)	A	B	P					PA				
			25 st or less	Over 25 st to 100 st	Over 100 st to 200 st	Over 200 st to 300 st	Over 300 st	25 st or less	Over 25 st to 100 st	Over 100 st to 200 st	Over 200 st to 300 st	Over 300 st
25,50,75,100,125,150,175,200,250,300,350,400	116	66	48	72	148	220	320	35	47	85	121	171
AA			O									
50 st or less	Over 50 st to 200 st	Over 200 st	Q	50 st or less	Over 50 st to 200 st	Over 200 st						
137	162	203	35	21	46	87						

● Switch dimensions

T0/T5/T2/T3		T2YH/V / T3YH/V		T2WH/V / T3WH/V switch		T8H/V switch	
HD	RD	HD	RD	HD	RD	HD	RD
25.5	22	24.5	21	27.5	24	19.5	16