

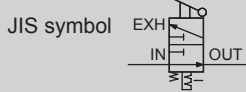


Shut-off valve standard white Series

V1000-W/V3000-W Series

One action exhaust operation. Prevent residual pressure accidents in pneumatic lines.

Port size: 1/8 to 1/2

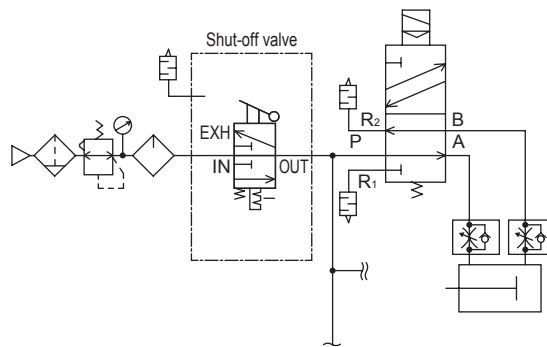


Specifications

Descriptions		V1000-W		V3000-W		
Appearance						
Descriptions		V1000-6-W	V1000-8-W	V3000-8-W	V3000-10-W	V3000-15-W
Working fluid		Compressed air				
Max. working pressure MPa		1.0				
Withstanding pressure MPa		1.5				
Fluid temperature °C		5 to 60				
Operation lever switchover angle		90°				
Operating force	Pushing force N	18		80		
	Torque N·m	0.5		2		
Valve section leakage cm ³ /min. (ANR)		10				
External leakage cm ³ /min. (ANR)		10				
Port size	IN-OUT	1/8	1/4	1/4	3/8	1/2
	(Rc, NPT, G)	1/8			3/8	
Product weight kg		0.17			0.25	
Effective sectional area (mm ²)	IN/OUT	15	18	40	70	85
	OUT/EXH	5		40	50	50

Application

Explanation: For safety, release compressed air in the pneumatic circuit from the lockout valve before repairing or adjusting the solenoid valve or air cylinder, etc.



How to order

- F.R.L.1000 Series



- F.R.L.3000, 4000 Series



A Model no.

B Port size

C Port thread type

D Option

E Display unit

F Attachment

Symbol	Descriptions	A Model no.	
		V1000	V3000
B Port size			
6	Rc1/8	●	
8	Rc1/4	●	●
10	Rc3/8		●
15	Rc1/2		●
C Port thread type			
Blank	Rc thread	●	●
N	NPT thread	●	●
G	G thread	●	●
D Option			
Blank	Standard flow (left → right)	●	●
X1	IN/OUT reverse flow (right → left)	●	●
E Display unit			
Blank	MPa display, Rc thread	●	●
J1	MPa display, NPT, G thread	●	●
F Attachment (attached)			
		Note 1, Note 2	
Blank	Without attachment	●	●
A6*W	Rc1/8 piping adaptor set	●	
A8*W	Rc1/4 piping adaptor set	●	●
A10*W	Rc3/8 piping adaptor set	●	●
A15*W	Rc1/2 piping adaptor set		●
A20*W	Rc3/4 piping adaptor set		●
BW	C type bracket	●	●
S	Silencer	●	●
*Adaptor screw type			
Blank	Rc thread	●	●
N	NPT thread	●	●
G	G thread	●	●

⚠ Note on model no. selection

Note 1: The C-type bracket and piping adaptor set attachments cannot be used at the same time.

Note 2: The joiner set is enclosed with the piping adaptor set.

Refrigerating type dryer
Desiccant type dryer
High polymer membrane type dryer
Air filter
Auto. drain / others
F.R.L. (Module unit)
F.R.L. (Separate)
Compact F.R.
Precise regulator
F.R.L. (Related products)
Clean F.R.
Electro pneumatic regulator
Air booster
Speed control valve
Silencer
Check valve / others
Joint / tube
Vacuum filter
Vacuum regulator
Suction plate
Magnetic spring buffer
Mechanical pressure SW
Electronic pressure SW
Contact / close contact cont. SW
Air sensor
Pressure SW for coolant
Small flow sensor
Small flow controller
Flow sensor for air
Flow sensor for water
Total air system
Total air system (Gamma)
Ending

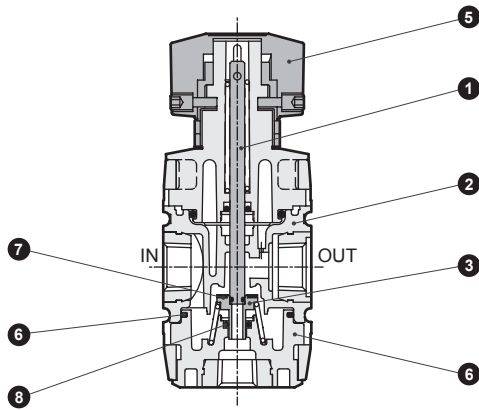
Standard series
F.R.L. unit

⚠ Select the reverse regulator (R*100-W) or reverse filter regulator (W*100-W) when installing the V*000-W onto the primary side of the regulator or filter regulator.

V*000-W Series

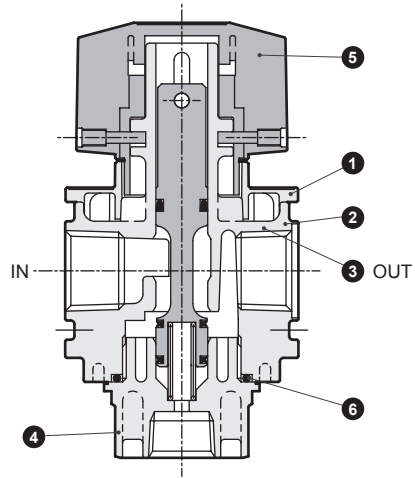
Internal structure and parts list

● V1000-W



No.	Parts name	Material
1	Spool	Steel
2	Body assembly	Polyamide resin, steel
3	Valve element	Brass, nitrile rubber
4	Bottom plug	Polyamide resin, steel
5	Knob	Polyacetal resin
6	Packing seal	Nitrile rubber
7	O-ring	Nitrile rubber
8	O-ring	Nitrile rubber

● V3000-W



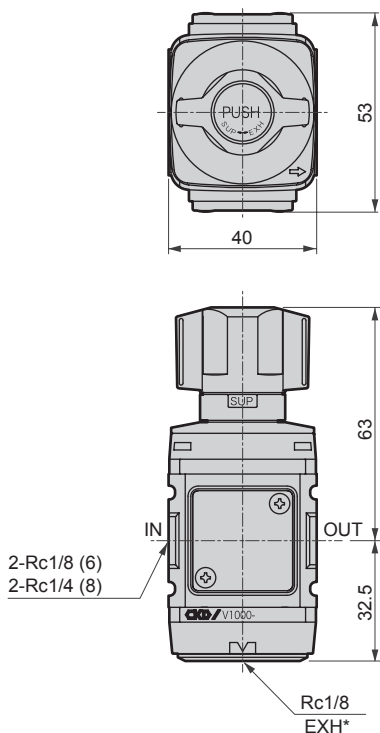
No.	Parts name	Material
1	Plate cover	ABS resin
2	Body	Aluminum alloy die-casting
3	Spool assembly	Aluminum alloy urethane rubber resin
4	Bottom plug	PBT resin Note 1
5	Knob	Polyacetal resin
6	O-ring	Nitrile rubber

Note 1: The metal bottom plug is used as a custom-order part.

Dimensions

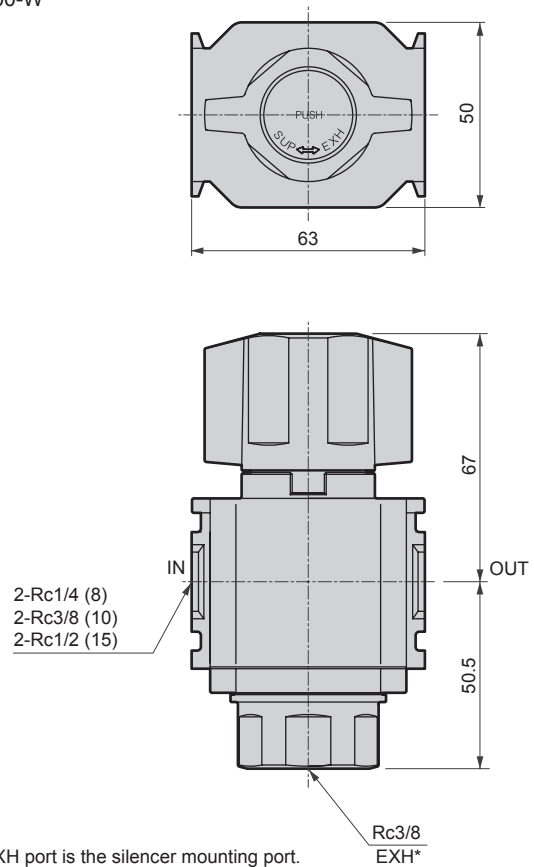


● V1000-W



* The EXH port is the silencer mounting port.

● V3000-W



* The EXH port is the silencer mounting port.