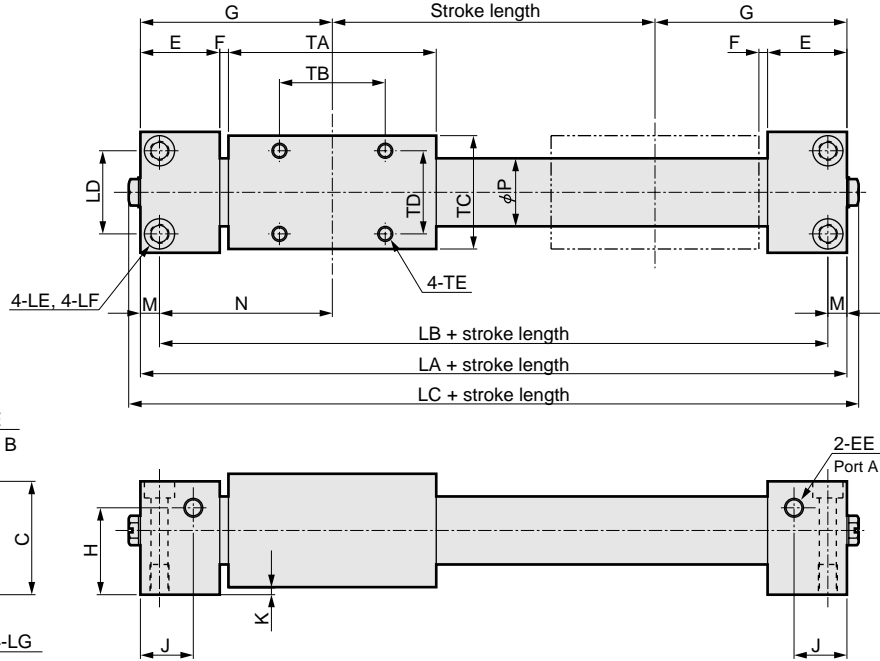


Dimensions: MRL2 (basic type)



● MRL2 (basic type) without switch



Note: Air piping port A, B can be selected.
 A plug is assembled to Port B at shipment.
 · $\phi 6$ to $\phi 20$: Plug (FPL-M5)
 · $\phi 25$, $\phi 32$: Hexagon socket head tapered screw plug

| Symbol | Dimensions | | | | | Installation dimensions | | | | | | | | |
|-----------|------------|-------|----|------|----|-------------------------|----|------------|--------------------------------|-------------|----|----|--------------|--|
| | LA | LC | A | C | D | LB | LD | LE | LF | LG | TB | TD | TE | |
| $\phi 6$ | 74 | 80.2 | 20 | 16.5 | 20 | 68 | 14 | $\phi 3.5$ | - | M4 depth 6 | 20 | 12 | M3 depth 4.5 | |
| $\phi 10$ | 80 | 86.2 | 26 | 24 | 26 | 72 | 18 | $\phi 3.5$ | $\phi 6.5$ spot face depth 3.3 | M4 depth 8 | 20 | 18 | M3 depth 4.5 | |
| $\phi 16$ | 102 | 108.2 | 32 | 30 | 32 | 92 | 22 | $\phi 4.5$ | $\phi 8$ spot face depth 4.4 | M5 depth 8 | 28 | 22 | M4 depth 6 | |
| $\phi 20$ | 128 | 134.2 | 38 | 36 | 38 | 116 | 26 | $\phi 5.5$ | $\phi 9.5$ spot face depth 5.4 | M6 depth 12 | 44 | 26 | M4 depth 6 | |
| $\phi 25$ | 130 | 132.2 | 52 | 45 | 48 | 118 | 40 | $\phi 5.5$ | $\phi 9.5$ spot face depth 5.4 | M6 depth 12 | 40 | 30 | M6 depth 6 | |
| $\phi 32$ | 138 | 140.2 | 60 | 53 | 56 | 124 | 46 | $\phi 6.9$ | $\phi 11$ spot face depth 6.5 | M8 depth 12 | 40 | 40 | M6 depth 9 | |

| Symbol | General dimensions | | | | | | | | | | | | |
|-----------|--------------------|----|------------|-----|----|-----|------|---|---|----|-----|----|----|
| | B | E | EE | F | G | H | J | K | M | N | P | TA | TC |
| $\phi 6$ | 11 | 15 | M5 depth 4 | 2 | 37 | 9 | 9.5 | 2 | 3 | 34 | 7.6 | 40 | 18 |
| $\phi 10$ | 14 | 18 | M5 depth 4 | 2 | 40 | 5.5 | 10 | 2 | 4 | 36 | 12 | 40 | 24 |
| $\phi 16$ | 17 | 21 | M5 depth 4 | 2.5 | 51 | 23 | 14 | 2 | 5 | 46 | 18 | 55 | 30 |
| $\phi 20$ | 20 | 24 | M5 depth 4 | 3 | 64 | 28 | 15.5 | 2 | 6 | 58 | 23 | 74 | 36 |
| $\phi 25$ | 25.5 | 27 | Rc1/8 | 3 | 65 | 29 | 17 | 3 | 6 | 59 | 28 | 70 | 45 |
| $\phi 32$ | 29.5 | 27 | Rc1/8 | 3 | 69 | 37 | 17 | 3 | 7 | 62 | 35 | 78 | 53 |

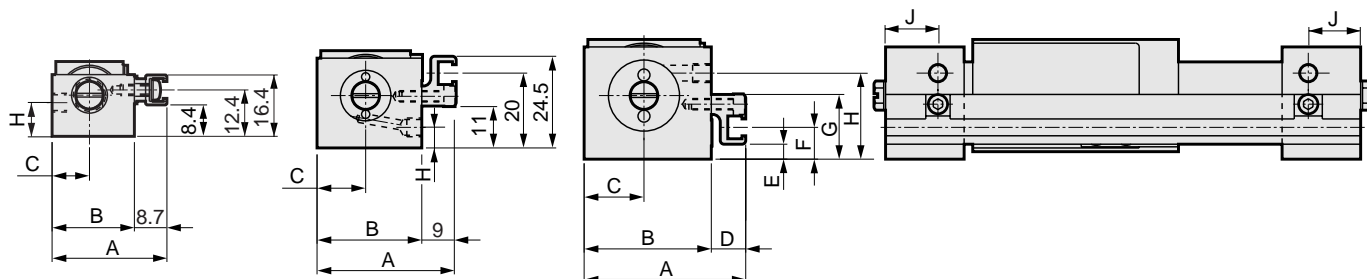
Dimensions: MRL2 (basic type)

● MRL2-L (basic type) with switch

● For $\phi 6$

● For $\phi 10$

● For $\phi 16$ to $\phi 32$



| Symbol | A | B | C | D | E | F | G | H | J |
|----------------|------|----|----|-----|----|------|------|-----|------|
| Bore size (mm) | | | | | | | | | |
| $\phi 6$ | 30.7 | 22 | 10 | - | - | - | - | 9 | 9.5 |
| $\phi 10$ | 37 | 28 | 13 | - | - | - | - | 5.5 | 10 |
| $\phi 16$ | 43 | 34 | 16 | 9.0 | 4 | 8.5 | 17.3 | 23 | 14 |
| $\phi 20$ | 49 | 40 | 19 | 9.0 | 9 | 13.5 | 22.3 | 28 | 15.5 |
| $\phi 25$ | 60.7 | 52 | 26 | 8.7 | 2 | 7.5 | 21 | 29 | 17 |
| $\phi 32$ | 68.7 | 60 | 30 | 8.7 | 10 | 15.5 | 29 | 37 | 17 |

- SCP*2
- CMK2
- CMA2
- SCM
- SCG
- SCA2
- SCS
- CKV2
- CA/OV2
- SSD
- CAT
- MDC2
- MVC
- SMD2
- MSD*
- FC*
- STK
- ULK*
- JSK/M2
- JSG
- JSC3
- USSD
- USC
- JSB3
- LMB
- STG
- STS/L
- LCS
- LCG
- LCM
- LCT
- LCY
- STR2
- UCA2
- HCM
- HCA
- SRL2**
- SRG
- SRM
- SRT
- MRL2**
- MRG2
- SM-25
- CAC3
- UCAC
- RCC2
- MFC
- SHC
- GLC
- Ending

Magnet type rodless cylinder
Rodless type