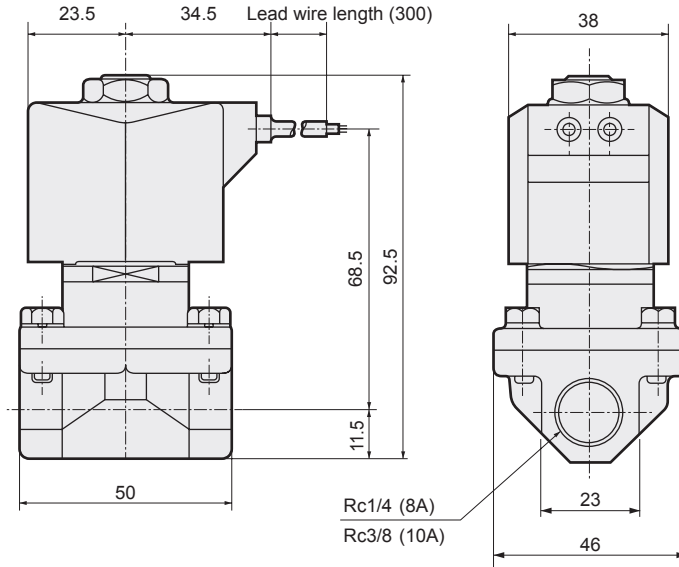


ADK11/ADK12 Series



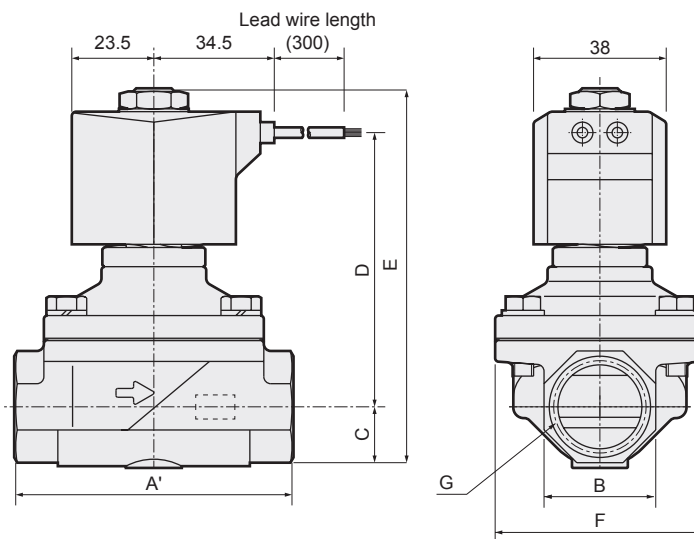
Dimensions: ADK11 Series

- Grommet lead wire type
ADK11-8A/10A-*2C



Note 1: The dimensions are same for port sizes of G and NPT threads.

- Grommet lead wire type
ADK11-15A/20A/25A-*2C



Note 1: The dimensions are same for port sizes of G and NPT threads.

Note 2: Dimensions shown in () are for SUS body.

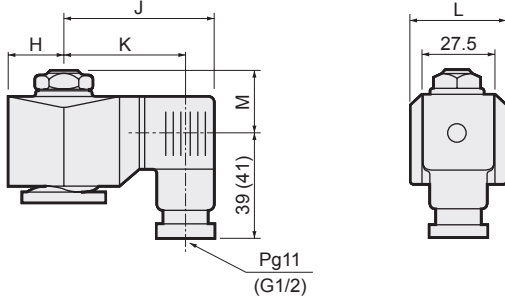
Model no.	A	B	C	D	E	F	G
ADK11-15A-02C	71	27 (29)	14.5	75.5	102	50	Rc1/2
ADK11-20A-02C	80	32 (35)	17.5	79	108.5	60	Rc3/4
ADK11-25A-02C	90	41 (45)	21.5 (22.5)	84.5	118 (119)	71	Rc1

Optional dimensions: ADK11 Series

* Refer to the dimensions of grommet lead wire type on the left page for common dimensions.

- DIN terminal box
ADK11-8A to 25A-*

2E
2G
2H

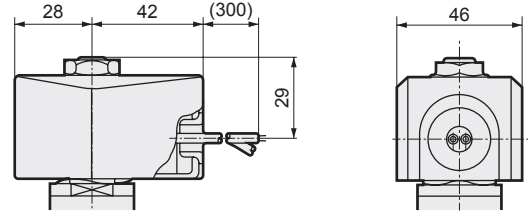


Dimensions shown in () are for G1/2.

Model no.	H	J	K	L	M
ADK11-8A to 25A-*2□-AC	23.5	65.5	54 (53.5)	38	22
ADK11-8A/10A-*2□-DC	23.5	66	54.5 (54)	38	22
ADK11-15A to 25A-*2□-DC	28	72	60.5 (60)	46	22

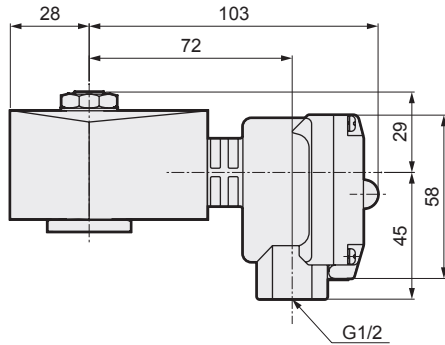
- Open frame type lead wire
ADK11-8A to 25A-*

3A
4A
5A



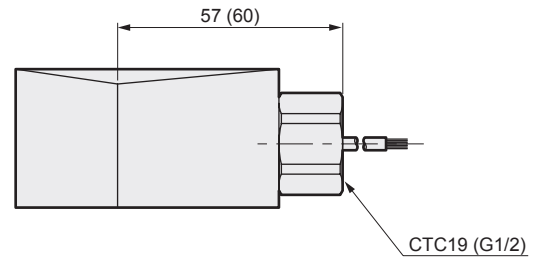
- Open frame type + HP terminal box
ADK11-8A to 25A-*

3M	4M
5N	4N
1	
J	



- Open frame type + conduit
ADK11-8A to 25A-*

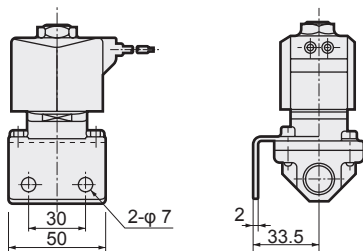
3A	G
4A	H
5A	



Dimensions shown in () are for G1/2.

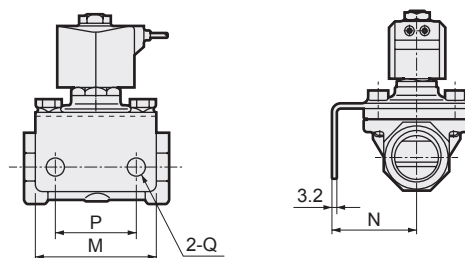
- Mounting plate
ADK11-8A/10A-***

B



- Mounting plate
ADK11-15A/20A/25A-***

B



Model no.	M	N	P	Q
ADK11-15A-***B	56	45	40	φ 9
ADK11-20A-***B	63	50	45	φ 9
ADK11-25A-***B	75	56	50	φ 11

EXA
FWD
HNB/G
USB/G
FAB/G
FGB/G
FVB
FWB/G
FHB
FLB
AB
AG
AP/AD
APK/ADK
For dry air
Explosion proof
HVB/HVL
SAB/NAB
LAD/NAD
Related components for water
NP/NAP/NVP
CHB/G
MXB/G
Others Valve
Dust collecting
CVE/CVSE
CCH, CPE/D
Medical analysis
Gas combustion
Automatic watering
Custom order product
Ending