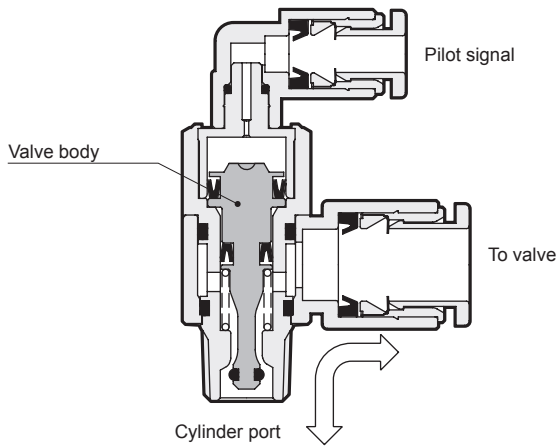


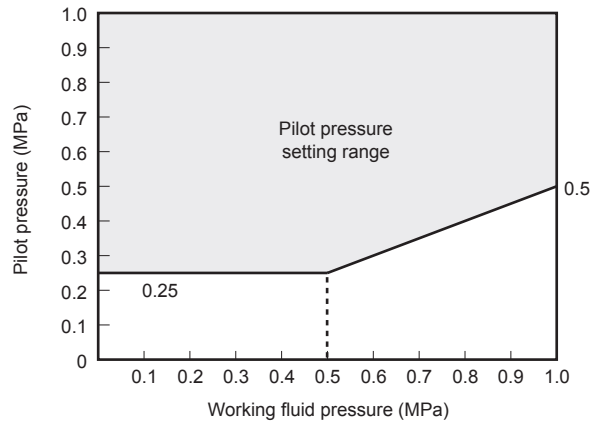
Operational principle



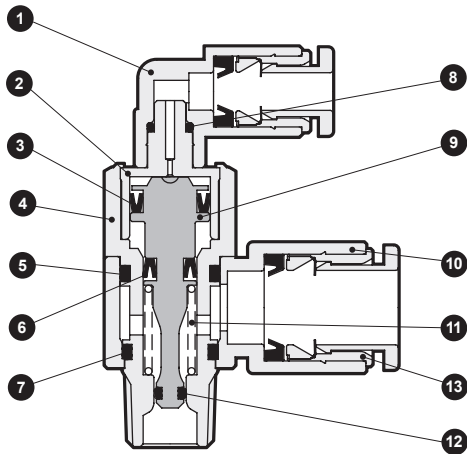
The valve opens if there is a pilot signal, but closes if the pilot signal is cut off.

Pilot pressure

Set pilot air pressure within the specified range.



Internal structure and parts list



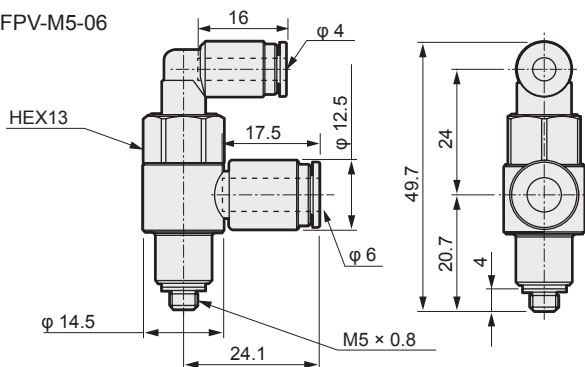
No.	Parts name	Material	
1	Fitting body	PBT (flame-resistant resin)	
2	Rotary shaft A	Brass (electroless nickeling)	
3	Packing	Nitrile rubber	
4	Rotary shaft B	Brass (electroless nickeling)	
5	O-ring	Nitrile rubber	
6	Packing	Nitrile rubber	
7	O-ring	Nitrile rubber	
8	O-ring	Nitrile rubber	
9	Valve body	Brass (electroless nickeling)	
10	Body	PBT (flame-resistant resin)	Note 1
11	Spring	Stainless steel	
12	O-ring	Nitrile rubber	
13	Push-in fitting		

Note 1: Zinc alloy die-casting is applied for female thread type.

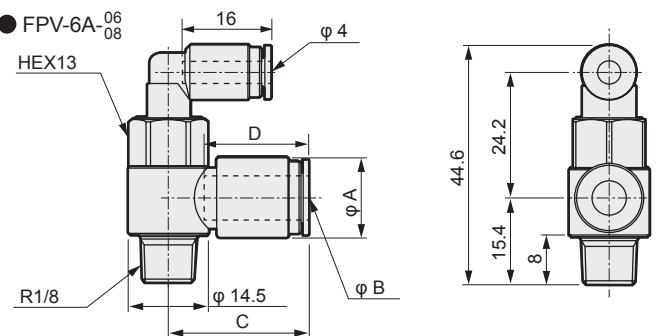
Dimensions



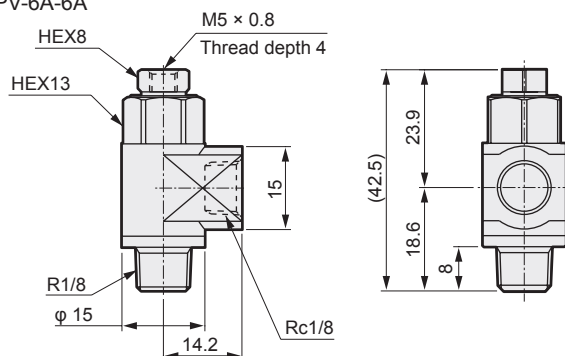
● FPV-M5-06



● FPV-6A-06-08



● FPV-6A-6A



Model no.	A	B	C	D
FPV-6A-06	φ 12.5	φ 6	24.1	17.5
FPV-6A-08	φ 14.5	φ 8	25.3	19.0

Dimensions



F.R.L. unit

Pneumatic auxiliary components

Air unit components

Precision components

Pressure sensor

Sensor/controller

Total air system

Main line unit

Ending

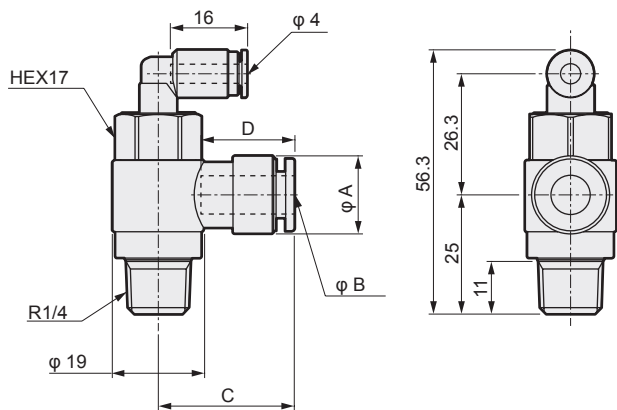
Speed controller

Silencer

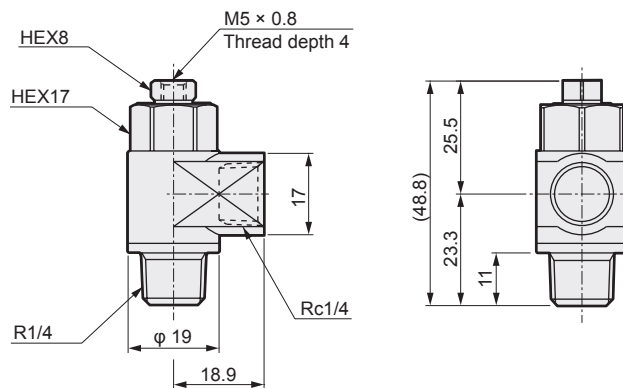
Check valve/others

Fitting/tube

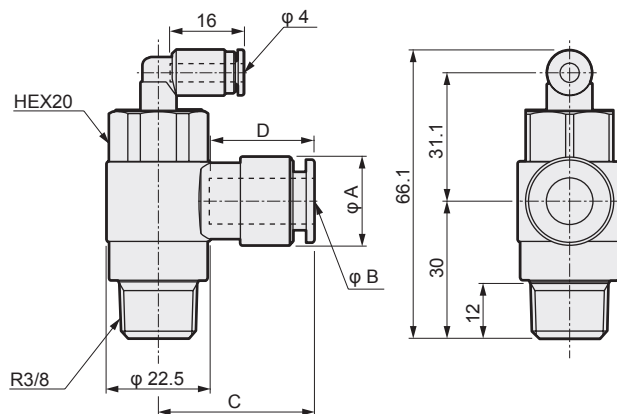
● FPV-8A-06



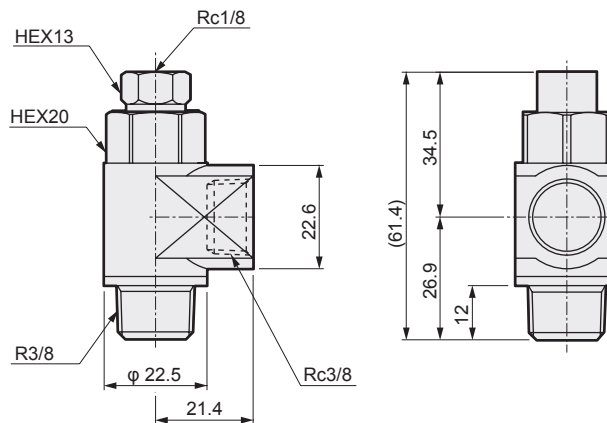
● FPV-8A-8A



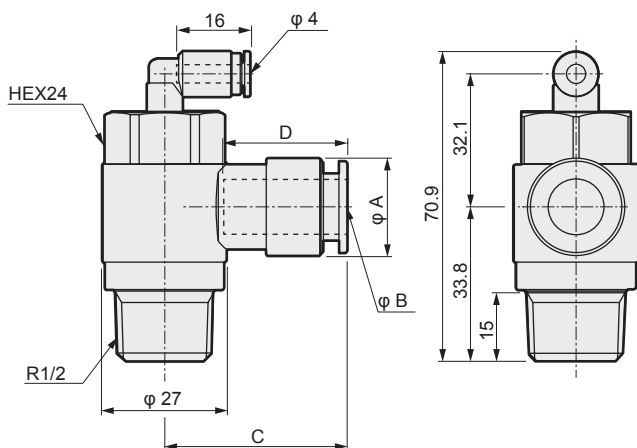
● FPV-10A-08



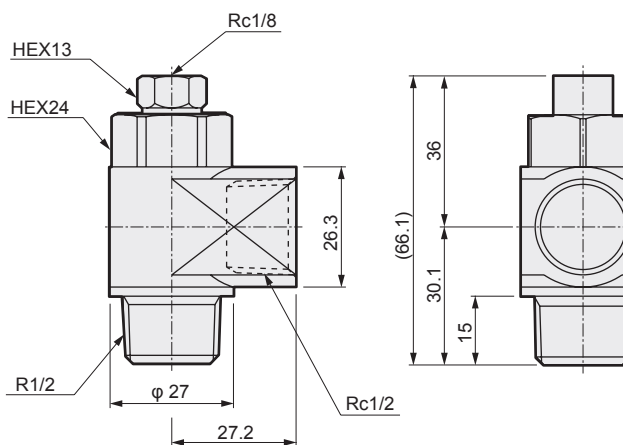
● FPV-10A-10A



● FPV-15A-10



● FPV-15A-15A



Model no.	A	B	C	D
FPV-8A-06	φ 13.8	φ 6	26.7	18.0
FPV-8A-08	φ 16.3	φ 8	27.7	19.0
FPV-10A-08	φ 16.3	φ 8	29.4	19.5
FPV-10A-10	φ 19.3	φ 10	32.2	23
FPV-15A-10	φ 19.3	φ 10	34.5	23
FPV-15A-12	φ 21.3	φ 12	37.7	27