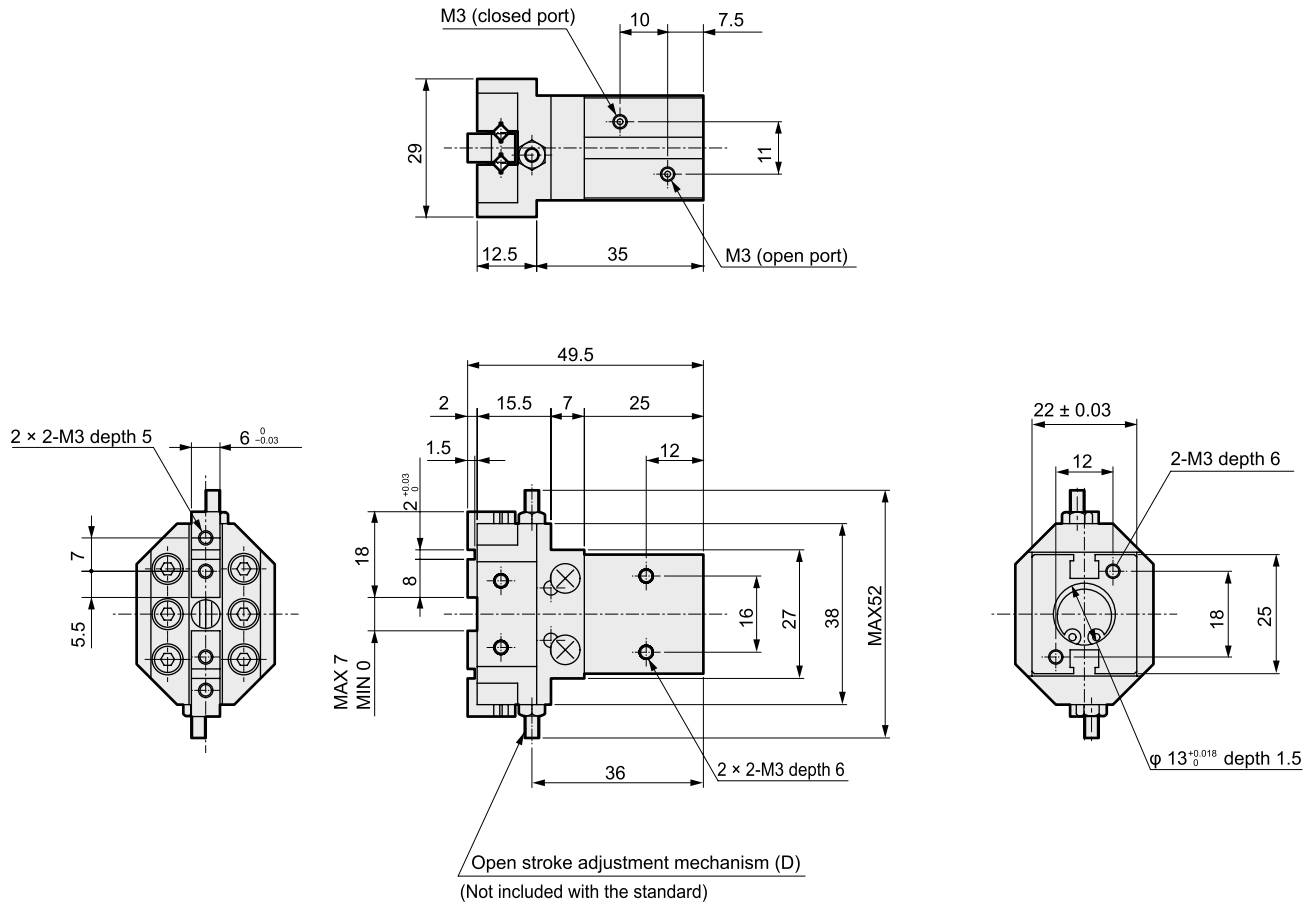


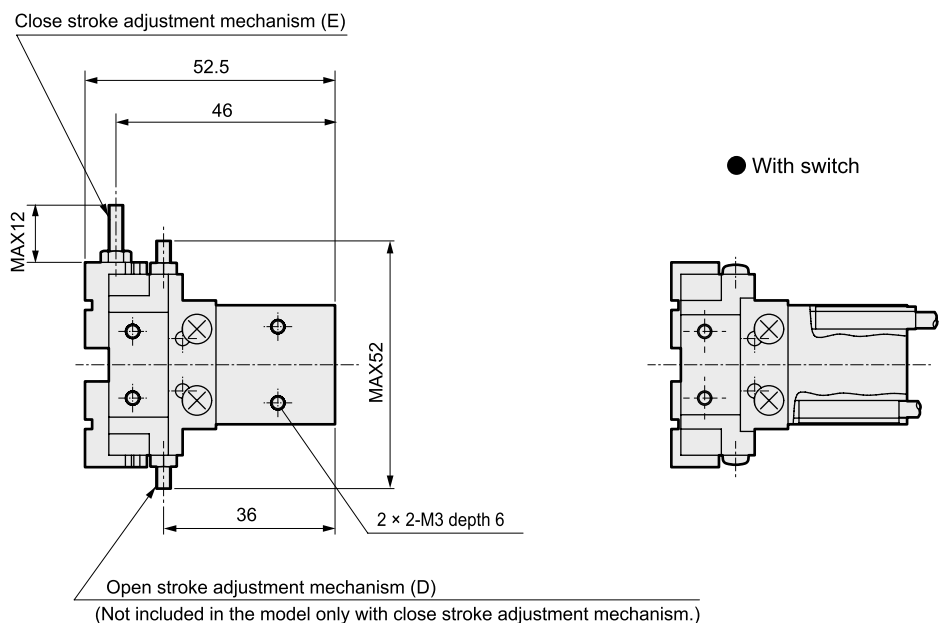
## Dimensions



- BHE-01CS (standard)
- BHE-01CS-D (open stroke adjustment mechanism)



- BHE-01CS-E (close stroke adjustment mechanism)
- BHE-01CS-DE (open and close stroke adjustment mechanism)

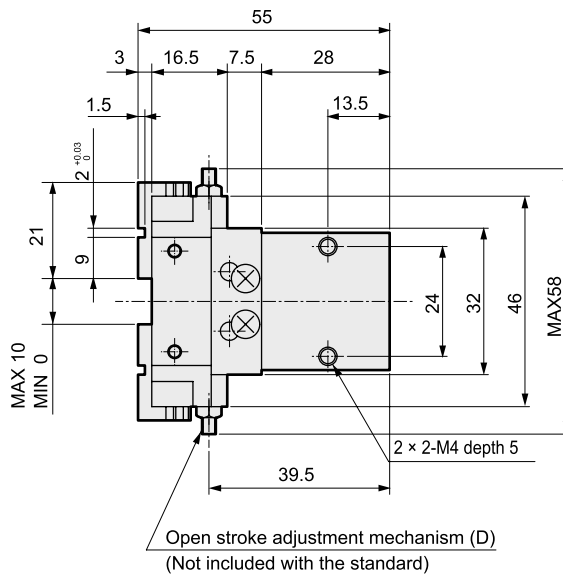
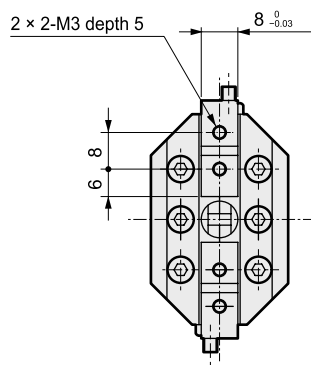
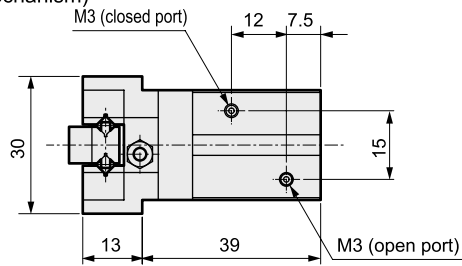


ULK*
JSK/M2
JSG
JSC3/JSC4
USSD
UFCD
USC
JSB3
LMB
LML
HCM
HCA
LBC
CAC4
UCAC2
CAC-N
UCAC-N
RCC2
RCS
SHC
MCP
GLC
MFC
BBS
RRC
GRC
RV3*
NHS
HR
LN
<b>Hand</b>
Chuck
Mechanical hand and chuck
Shock absorber
FJ
FK
Speed controller
Ending

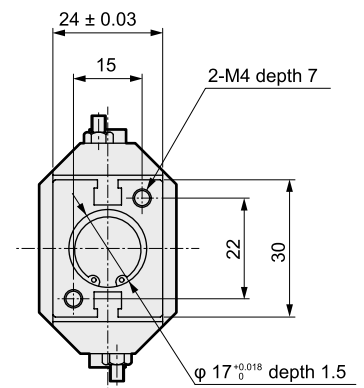
FH100
HAP
BSA2
BHA/BHG
LHA
LHAG
HKP
HLA/HLB
HLAG/HLBG
HLD
HEP
HCP
HMF
HMFB
HFP
HLC
HGP
FH500
HBL
HDL
HMD
HJD
HJL
<b>BHE</b>

### Dimensions

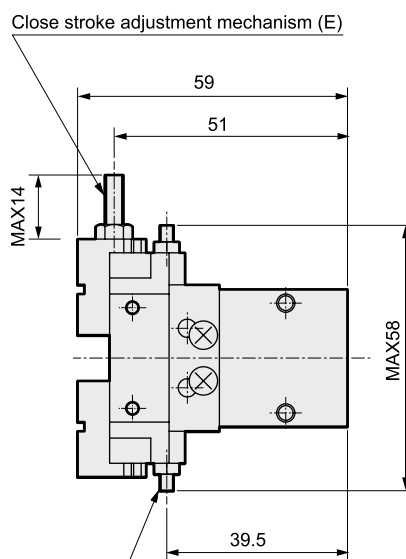
- BHE-03CS (standard)
- BHE-03CS-D (open stroke adjustment mechanism)



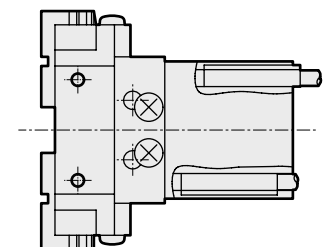
- With switch



- BHE-03CS-E (close stroke adjustment mechanism)
- BHE-03CS-DE (open and close stroke adjustment mechanism)



- With switch



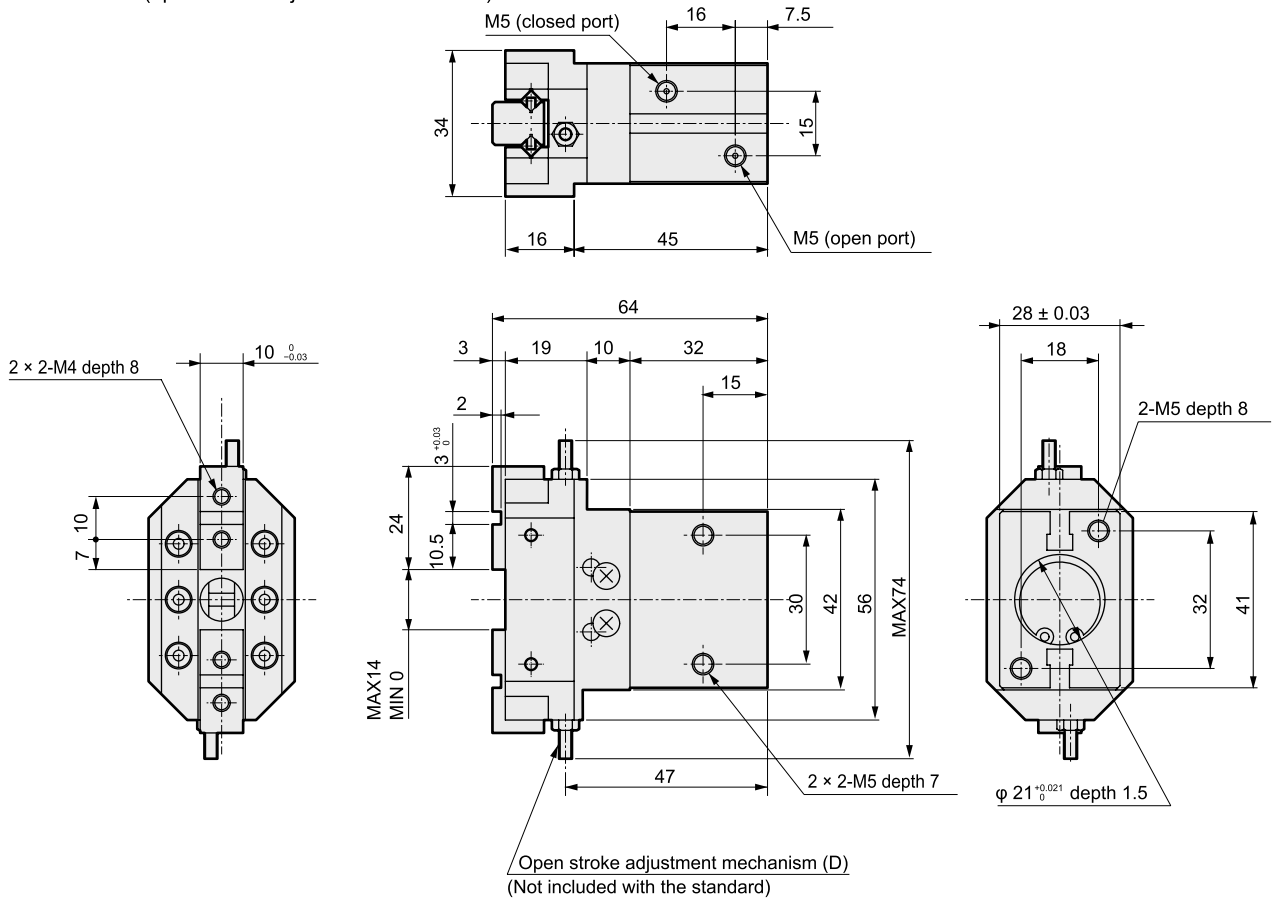
Open stroke adjustment mechanism (D)  
(Not included in the model only with close stroke adjustment mechanism.)

ULK*
JSK/M2
JSG
JSC3/JSC4
USSD
UFCD
USC
JSB3
LMB
LML
HCM
HCA
LBC
CAC4
UCAC2
CAC-N
UCAC-N
RCC2
RCS
SHC
MCP
GLC
MFC
BBS
RRC
GRC
RV3*
NHS
HR
LN
<b>Hand</b>
Chuck
Mechanical hand and chuck
Shock absorber
FJ
FK
Speed controller
Ending
FH100
HAP
BSA2
BHABHG
LHA
LHAG
HKP
HLA/HLB
HLAGHLBG
HLD
HEP
HCP
HMF
HMFB
HFP
HLC
HGP
FH500
HBL
HDL
HMD
HJD
HJL
<b>BHE</b>

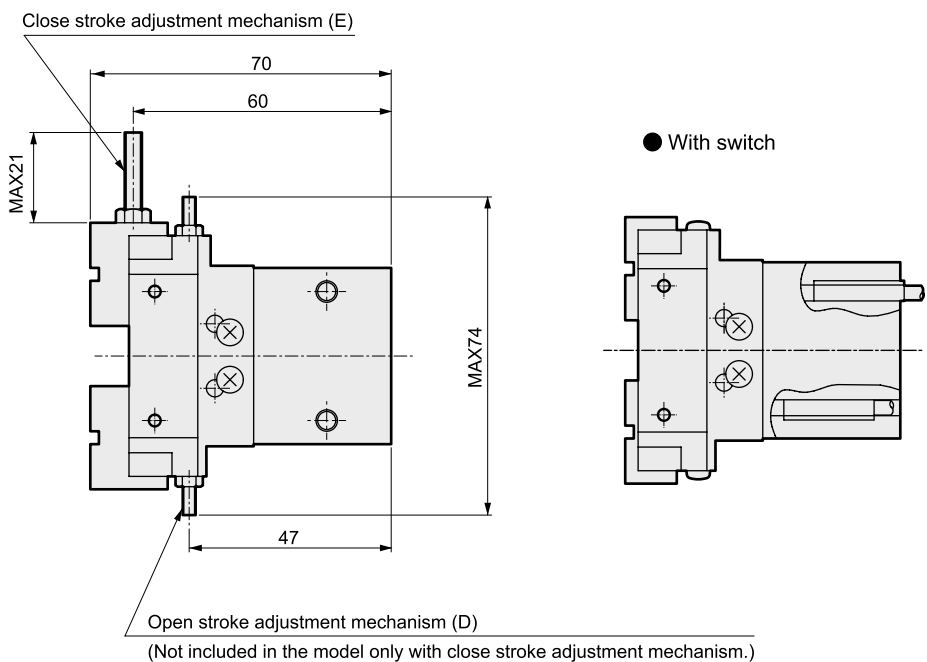
## Dimensions



- BHE-04CS (standard)
- BHE-04CS-D (open stroke adjustment mechanism)



- BHE-04CS-E (close stroke adjustment mechanism)
- BHE-04CS-DE (open and close stroke adjustment mechanism)

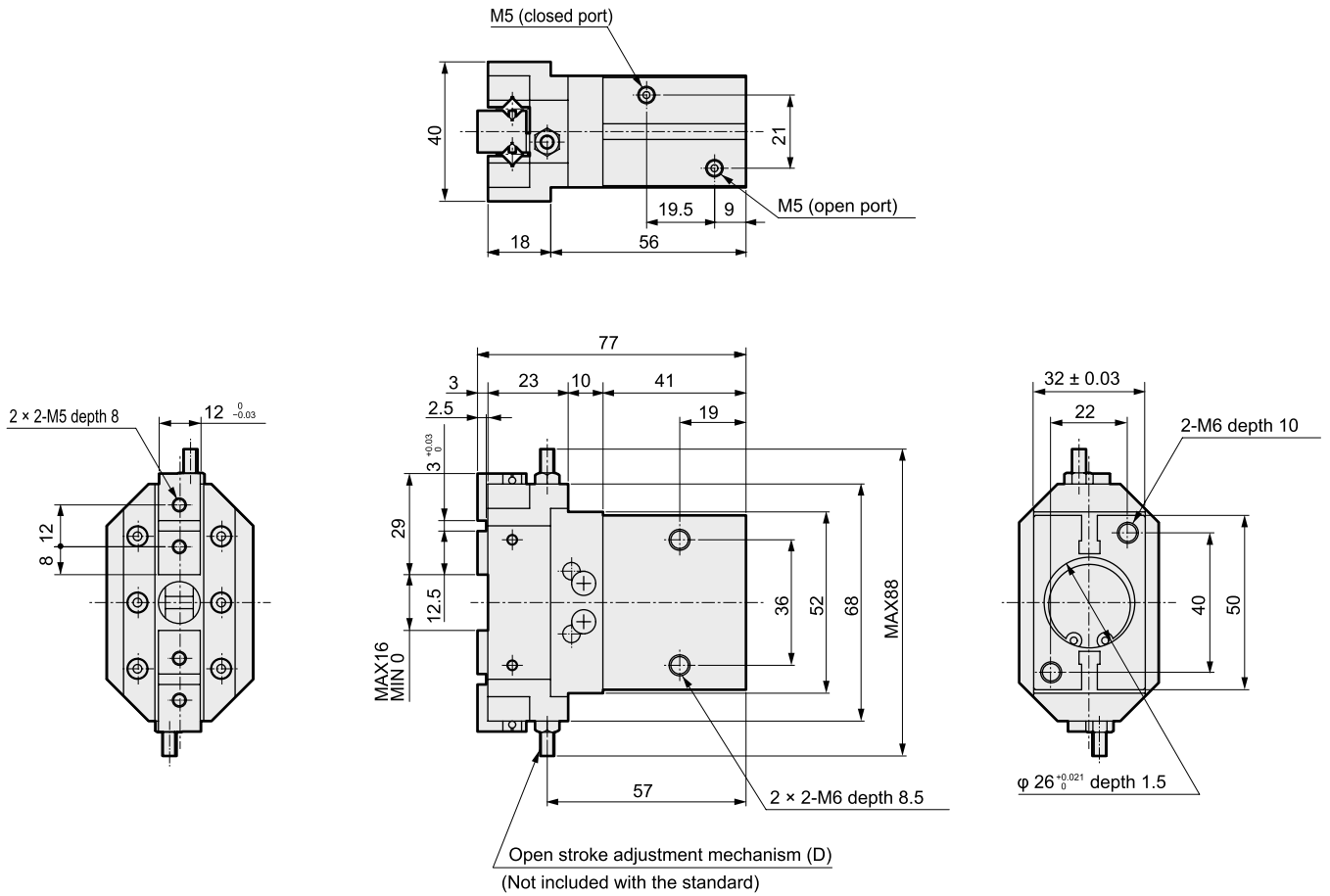


ULK*
JSK/M2
JSG
JSC3/JSC4
USSD
UFCD
USC
JSB3
LMB
LML
HCM
HCA
LBC
CAC4
UCAC2
CAC-N
UCAC-N
RCC2
RCS
SHC
MCP
GLC
MFC
BBS
RRC
GRC
RV3*
NHS
HR
LN
<b>Hand</b>
Chuck
Mechanical hand and chuck
Shock absorber
FJ
FK
Speed controller
Ending

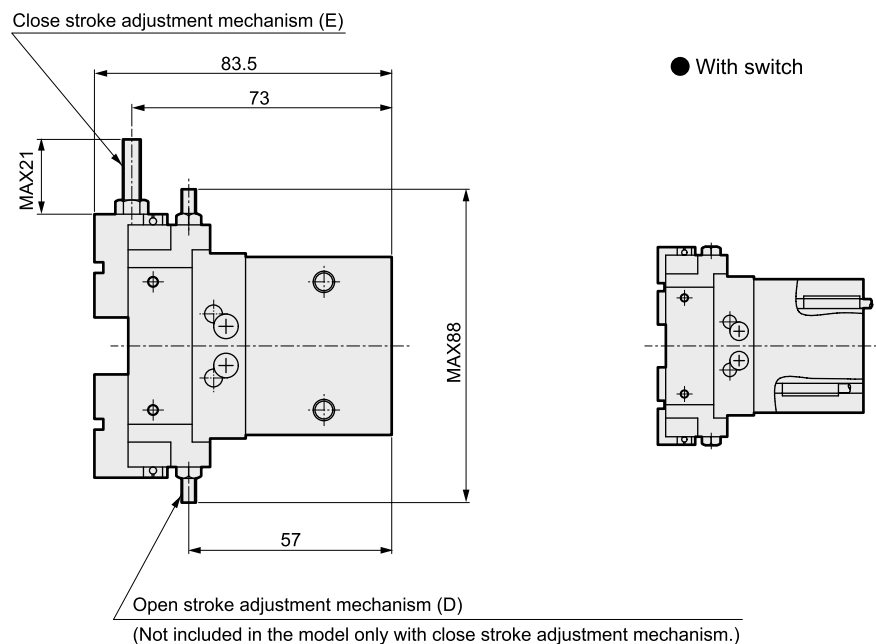
FH100
HAP
BSA2
BHA/BHG
LHA
LHAG
HKP
HLA/HLB
HLAG/HLBG
HLD
HEP
HCP
HMF
HMFB
HFP
HLC
HGP
FH500
HBL
HDL
HMD
HJD
HJL
<b>BHE</b>

### Dimensions

- BHE-05CS (standard)
- BHE-05CS-D (open stroke adjustment mechanism)



- BHE-05CS-E (close stroke adjustment mechanism)
- BHE-05CS-DE (open and close stroke adjustment mechanism)

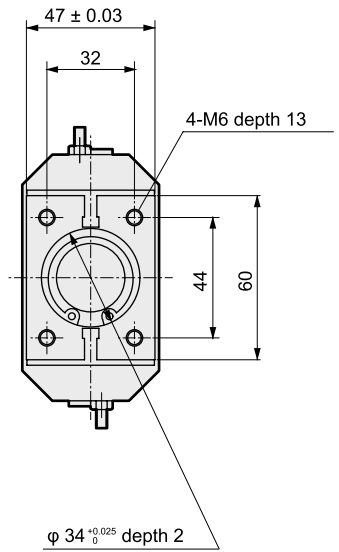
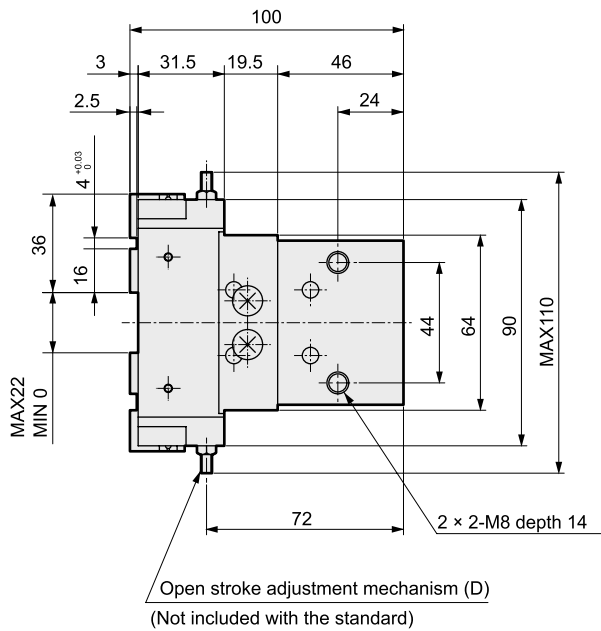
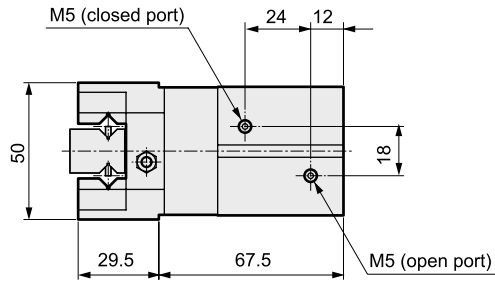
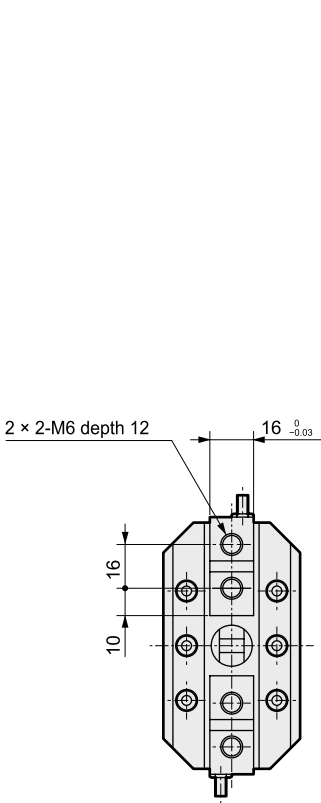


ULK*
JSK/M2
JSG
JSC3/JSC4
USSD
UFCD
USC
JSB3
LMB
LML
HCM
HCA
LBC
CAC4
UCAC2
CAC-N
UCAC-N
RCC2
RCS
SHC
MCP
GLC
MFC
BBS
RRC
GRC
RV3*
NHS
HR
LN
<b>Hand</b>
Chuck
Mechanical hand and chuck
Shock absorber
FJ
FK
Speed controller
Ending
FH100
HAP
BSA2
BHABHG
LHA
LHAG
HKP
HLA/HLB
HLAGHLBG
HLD
HEP
HCP
HMF
HMFB
HFP
HLC
HGP
FH500
HBL
HDL
HMD
HJD
HJL
<b>BHE</b>

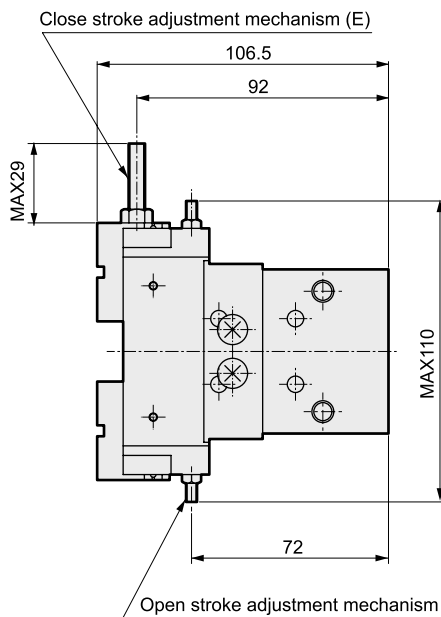
## Dimensions



- BHE-06CS (standard)
- BHE-06CS-D (open stroke adjustment mechanism)



- BHE-06CS-E (close stroke adjustment mechanism)
- BHE-06CS-DE (open and close stroke adjustment mechanism)



● With switch

