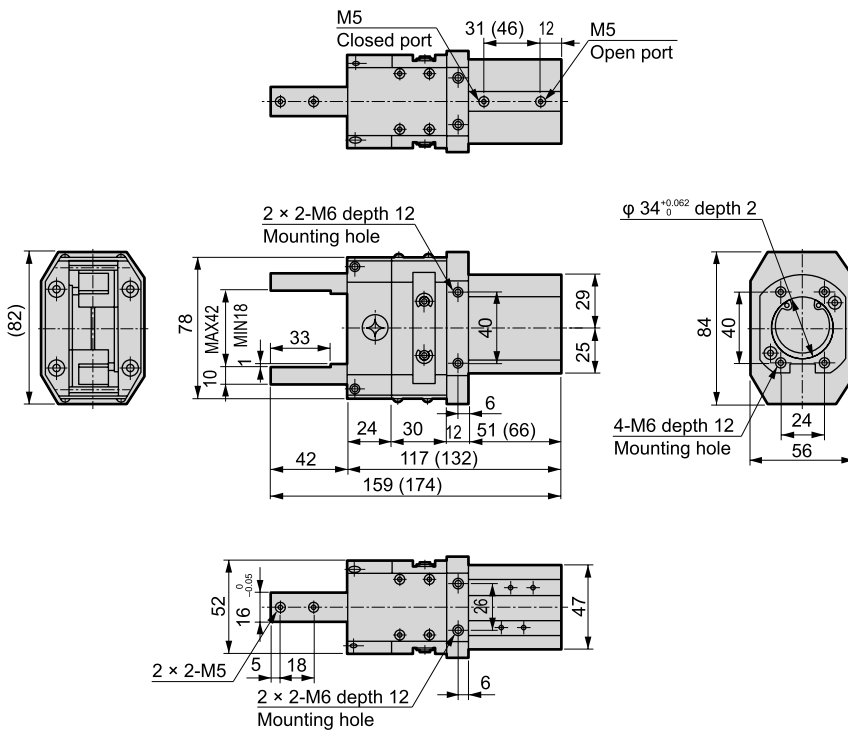


### Dimensions



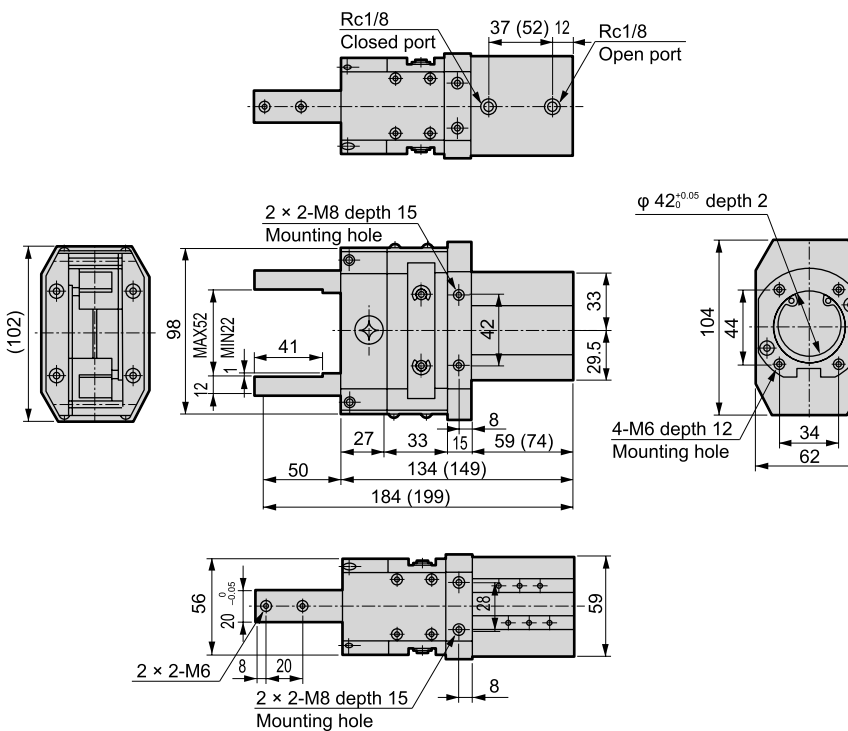
#### ● HKP-32CS standard/O/C

• Dimensions in ( ) for O (normally open) and C (normally closed) specifications

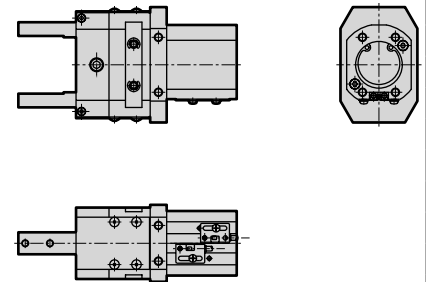


#### ● HKP-40CS standard/O/C

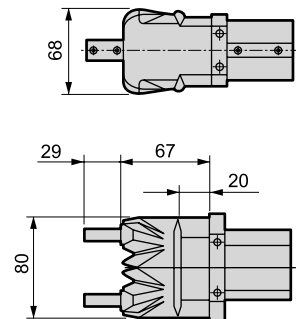
• Dimensions in ( ) for O (normally open) and C (normally closed) specifications



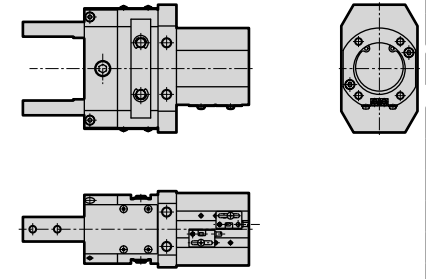
#### ● With switch



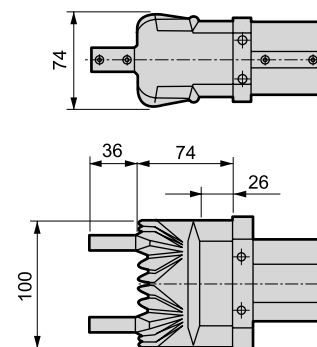
#### ● With rubber cover



#### ● With switch



#### ● With rubber cover



ULK*
JSK/M2
JSG
JSC3/JSC4
USSD
UFCD
USC
JSB3
LMB
LML
HCM
HCA
LBC
CAC4
UCAC2
CAC-N
UCAC-N
RCC2
RCS
SHC
MCP
GLC
MFC
BBS
RRC
GRC
RV3*
NHS
HR
LN
<b>Hand</b>
Chuck
Mechanical hand and chuck
Shock absorber
FJ
FK
Speed controller
Ending
FH100
HAP
BSA2
BHA/BHG
LHA
HLAG
<b>HKP</b>
HLA/HLB
HLAG/HLBG
HLD
HEP
HCP
HMF
HMFB
HFP
HLC
HGP
FH500
HBL
HDL
HMD
HJD
HJL
BHE

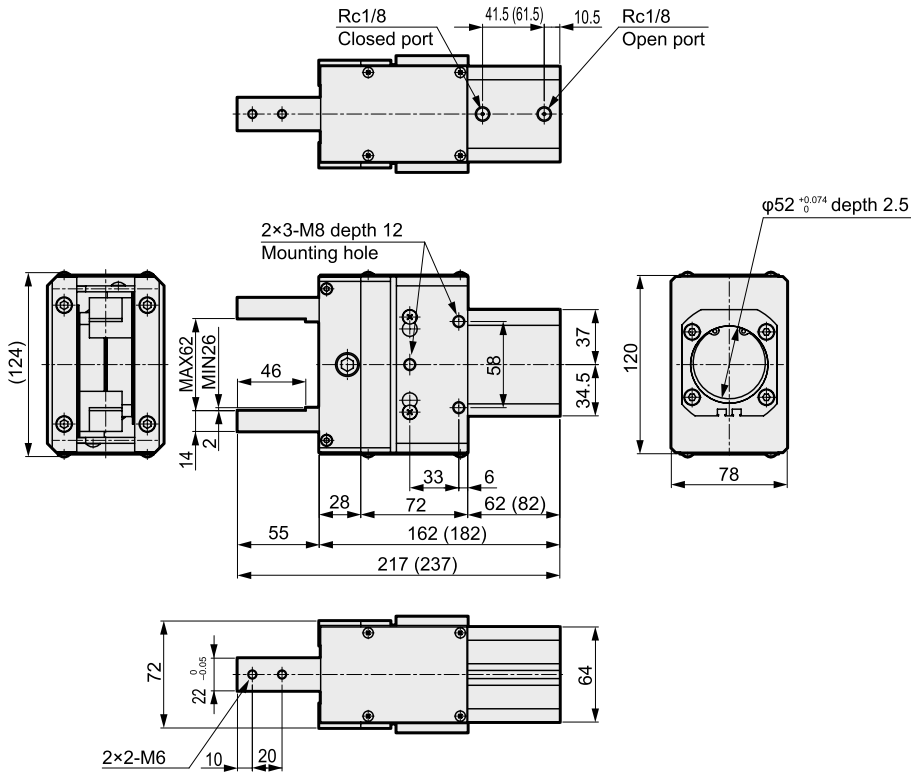
## Dimensions



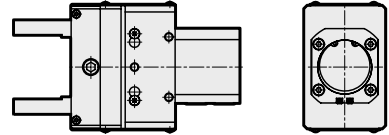
ULK*
JSK/M2
JSG
JSC3/JSC4
USSD
UFCD
USC
JSB3
LMB
LML
HCM
HCA
LBC
CAC4
UCAC2
CAC-N
UCAC-N
RCC2
RCS
SHC
MCP
GLC
MFC
BBS
RRC
GRC
RV3*
NHS
HR
LN
<b>Hand</b>
Chuck
Mechanical hand and chuck
Shock absorber
FJ
FK
Speed controller
Ending
FH100
HAP
BSA2
BHA/BHG
LHA
LHAG
<b>HKP</b>
HLA/HLB
HLAG/HLBG
HLD
HEP
HCP
HMF
HMFB
HFP
HLC
HGP
FH500
HBL
HDL
HMD
HJD
HJL
BHE

### ● HKP-50CS standard/O/C

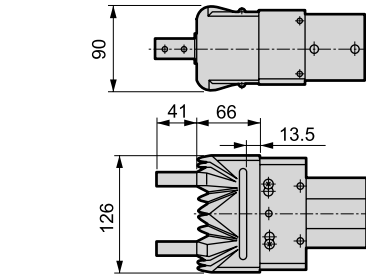
• Dimensions in ( ) for O (normally open) and C (normally closed) specifications



### ● With switch

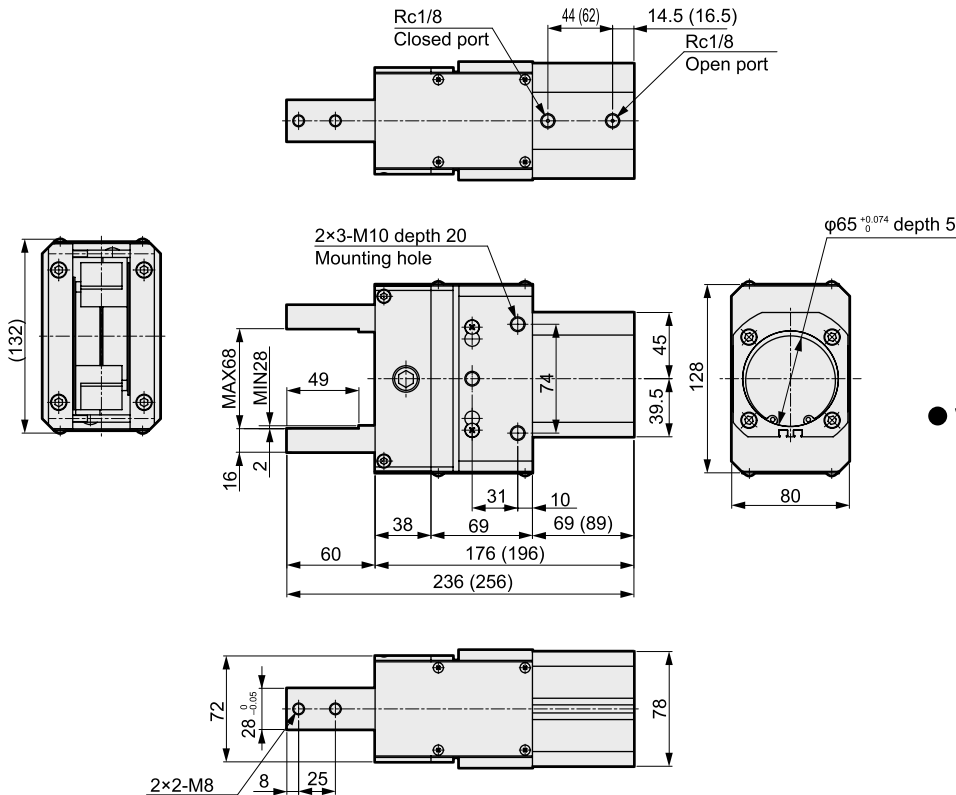


### ● With rubber cover

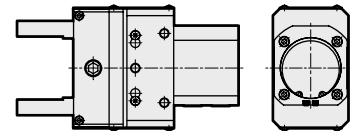


### ● HKP-63CS standard/O/C

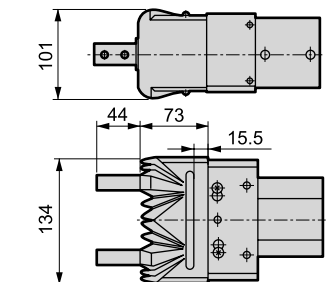
• Dimensions in ( ) for O (normally open) and C (normally closed) specifications



### ● With switch

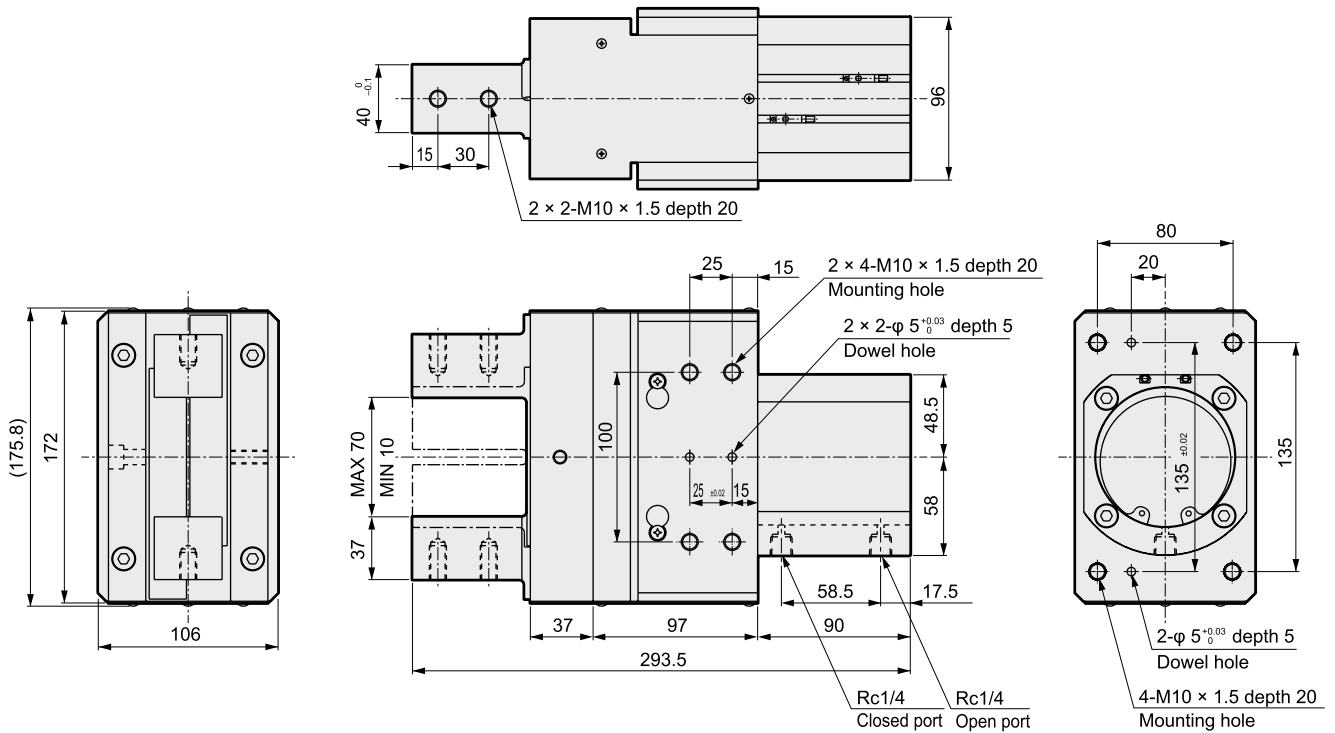


### ● With rubber cover



### Dimensions

● HKP-80CS standard



ULK*
JSK/M2
JSG
JSC3/JSC4
USSD
UFCD
USC
JSB3
LMB
LML
HCM
HCA
LBC
CAC4
UCAC2
CAC-N
UCAC-N
RCC2
RCS
SHC
MCP
GLC
MFC
BBS
RRC
GRC
RV3*
NHS
HR
LN
<b>Hand</b>
Chuck
Mechanical hand and chuck
Shock absorber
FJ
FK
Speed controller
Ending
FH100
HAP
BSA2
BHABHG
LHA
LHAG
<b>HKP</b>
HLA/HLB
HLAGHLBG
HLD
HEP
HCP
HMF
HMFB
HFP
HLC
HGP
FH500
HBL
HDL
HMD
HJD
HJL
BHE