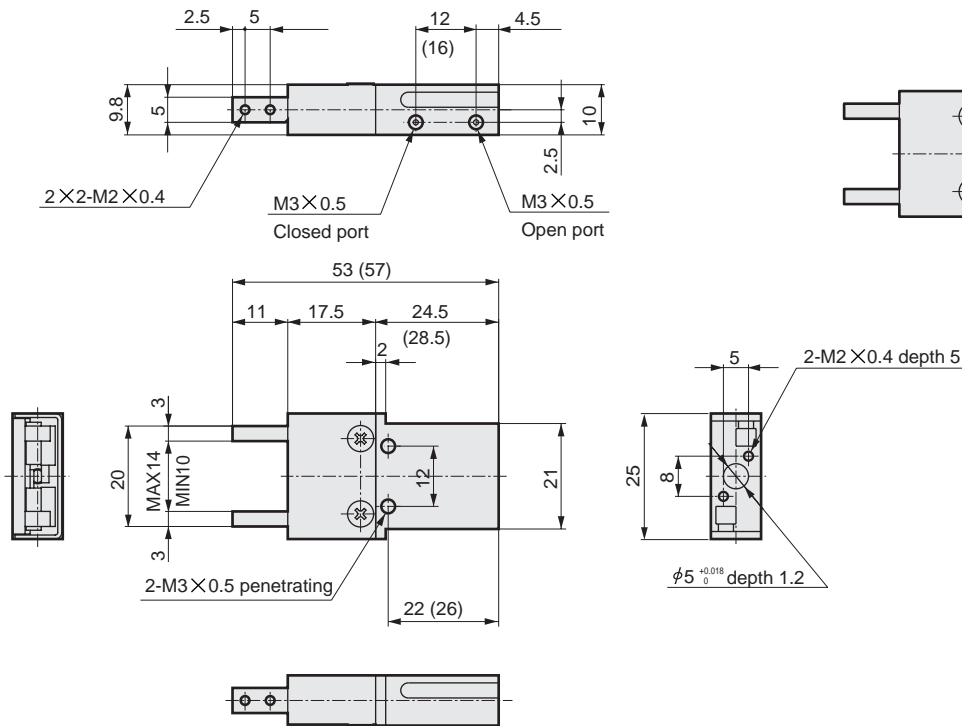


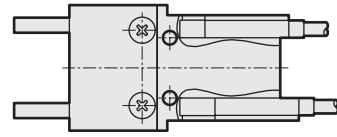
Dimensions

● LHA-006CS standard/O/C

· Dimension in () for C (normally closed) specifications

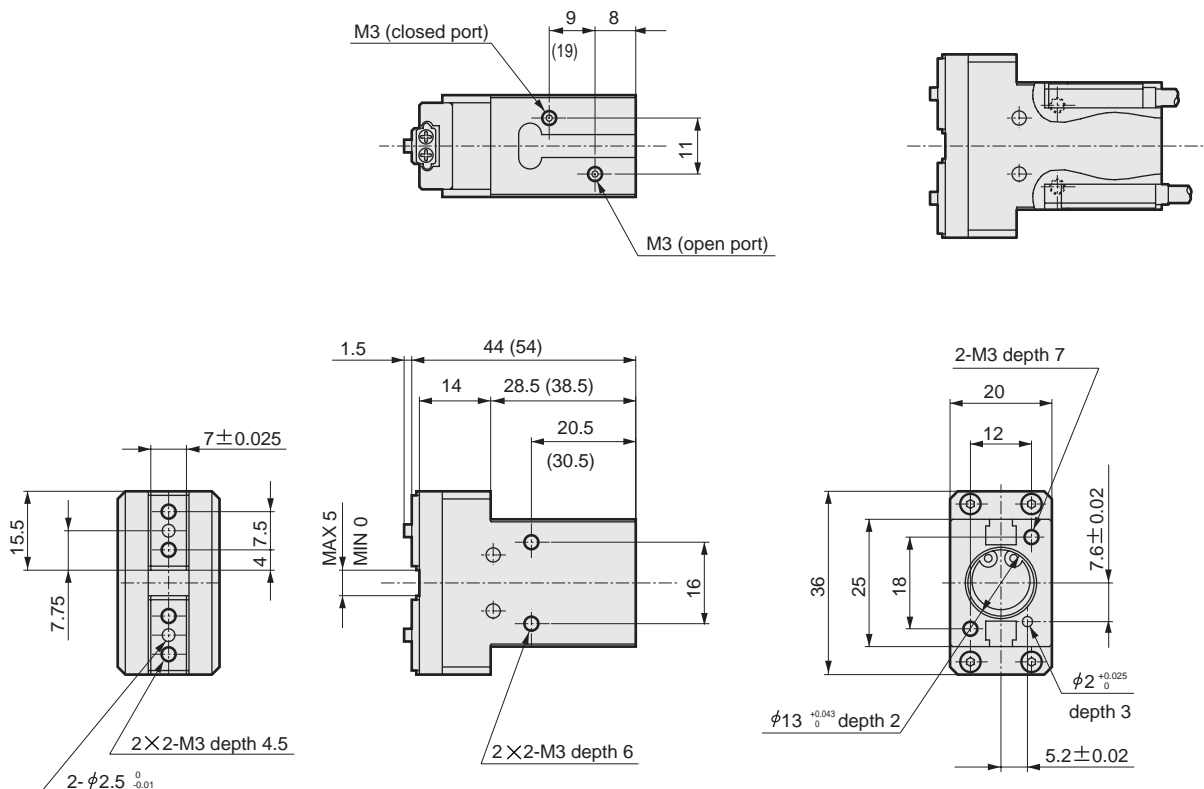


● With switch

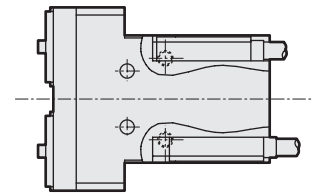


● LHA-01CS standard/O/C

· Dimension in () for C (normally closed) specifications



● With switch



RRC
GRC
RV3*
NHS
HR
LN
FH100
HAP
BSA2
BHA/BHG
LHA
LHAG
HKP
HLA/HLB
HLAG/HLBG
HEP
HCP
HMF
HMFB
HFP
HLC
HGP
FH500
HBL
HDL
HMD
HJL
BHE
CKG
CK
CKA
CKS
CKF
CKJ
CKL2
CKL2 *-HC
CKH2
CKLB2
NCK/SCK/FCK
FJ
FK
Ending

Linear guide hand
Hand

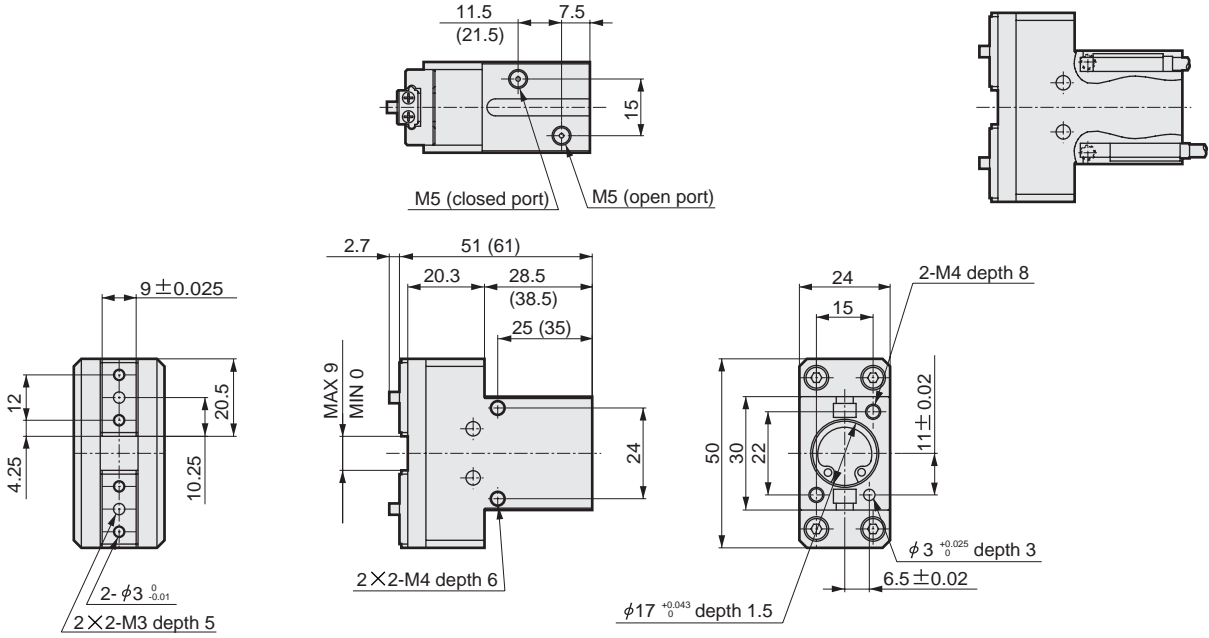
Dimensions



● LHA-03CS standard/O/C

· Dimension in () for C (normally closed) specifications

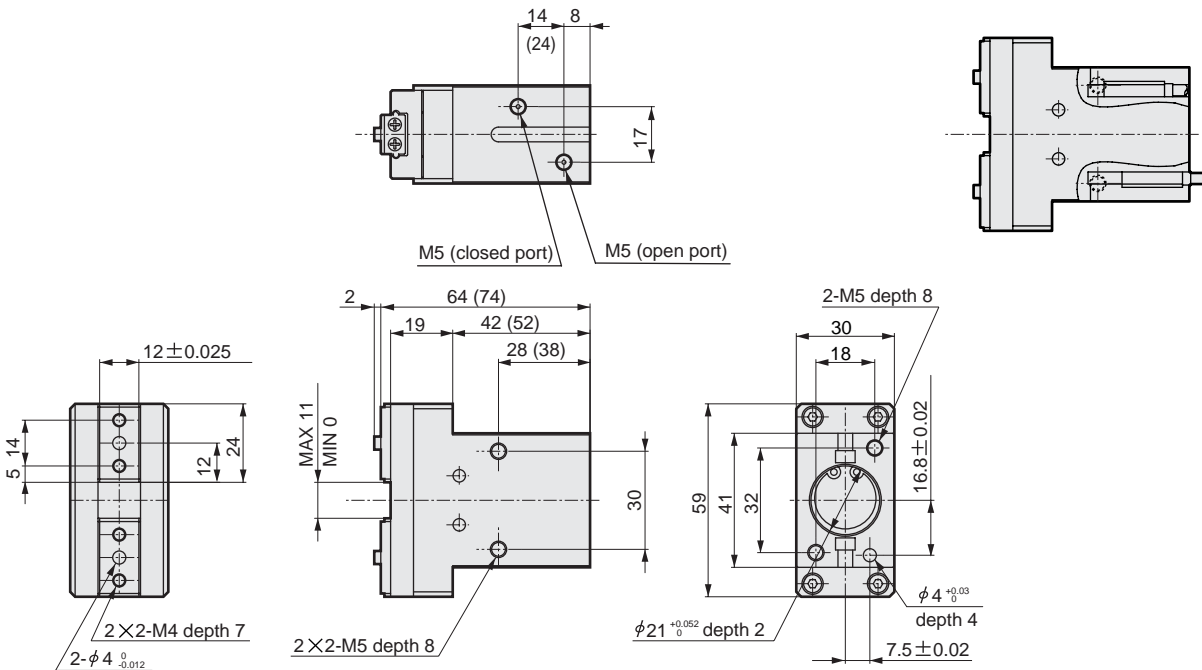
● With switch



● LHA-04CS standard/O/C

· Dimension in () for C (normally closed) specifications

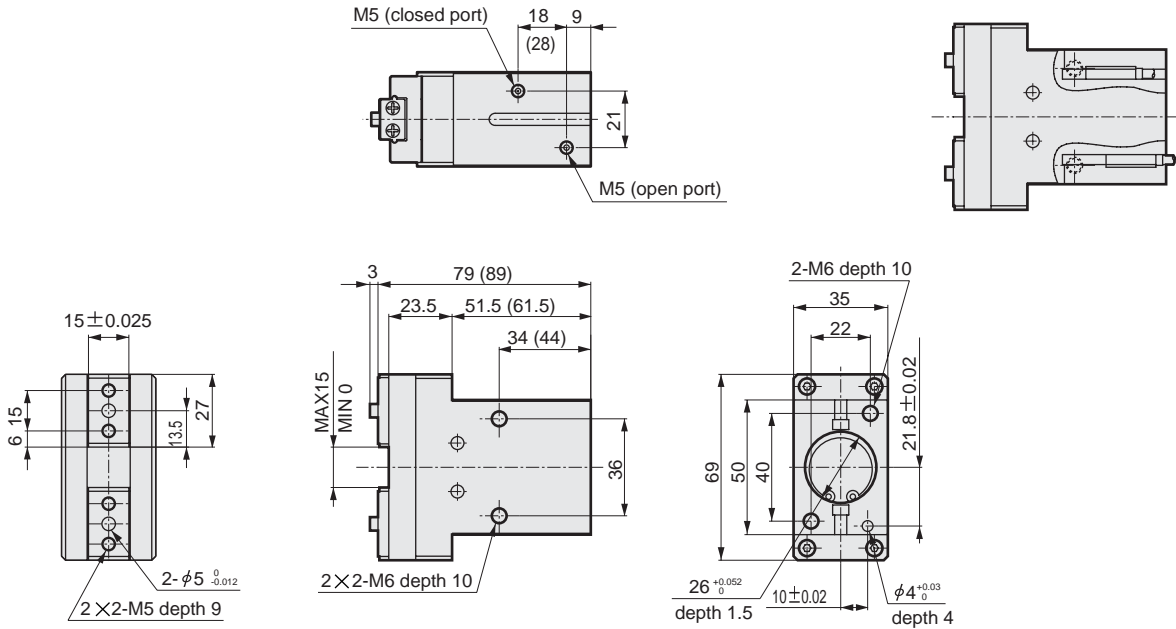
● With switch



Dimensions

● LHA-05CS standard/O/C

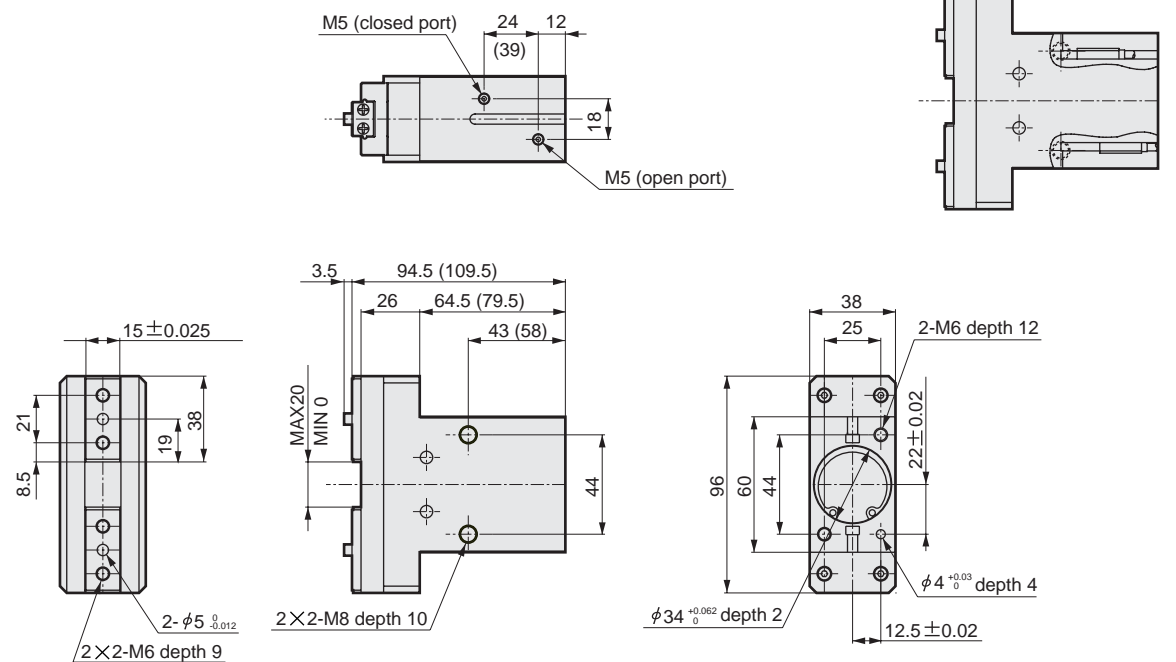
· Dimension in () for C (normally closed) specifications



● With switch

● LHA-06CS standard/O/C

· Dimension in () for C (normally closed) specifications



● With switch

RRC
GRC
RV3*
NHS
HR
LN
FH100
HAP
BSA2
BHA/BHG
LHA
LHAG
HKP
HLA/HLB
HLAG/HLBG
HEP
HCP
HMF
HMFb
HFP
HLC
HGP
FH500
HBL
HDL
HMD
HJL
BHE
CKG
CK
CKA
CKS
CKF
CKJ
CKL2
CKL2 *-HC
CKH2
CKLB2
NCK/ SCK/FCK
FJ
FK
Ending

Linear guide hand
Hand