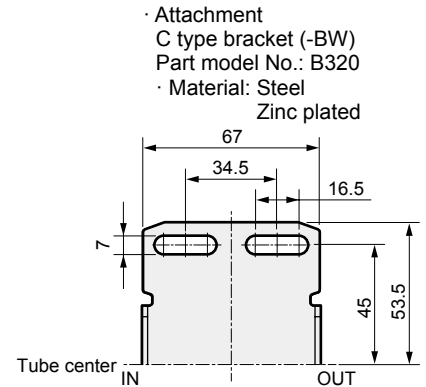
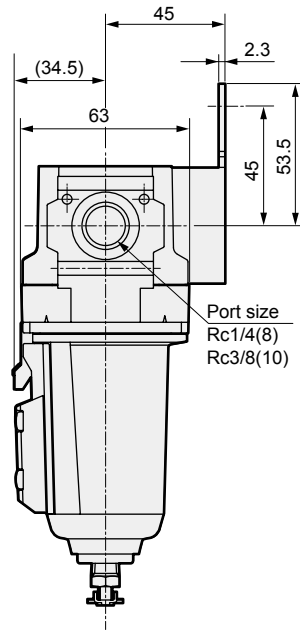
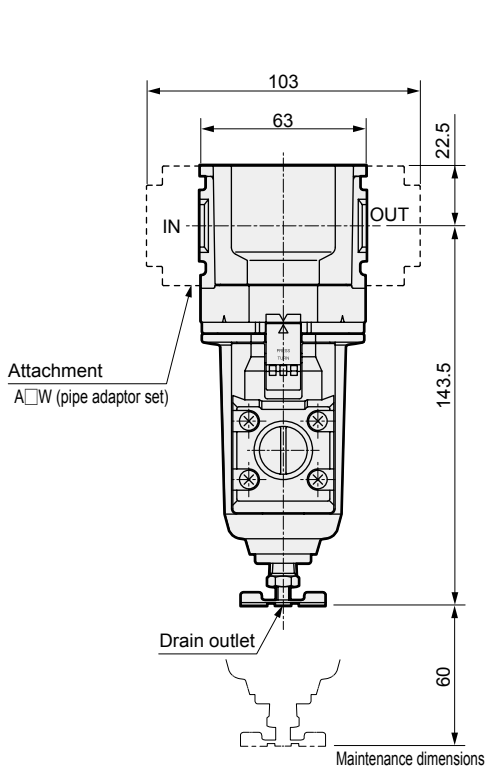


Oil Mist Filter Series

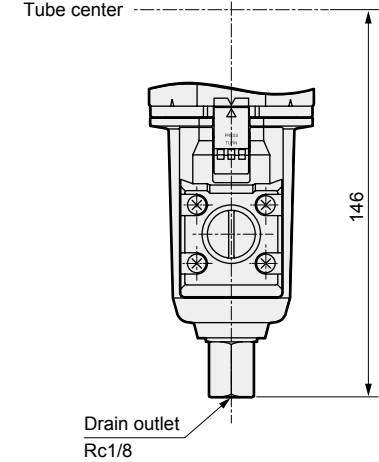
F.R.L
F (Filtr)
R (Reg)
L (Lub)
PresSW
Shutoff
SlowStart
FimResistFR
Oil-ProhR
MedPresFR
No Cu/ PTFE FRL
Outdrs FR
F.R.L (Related)
CompFRL
LgFRL
PrecsR
VacF/R
Clean FR
ElecPneuR
AirBoost
SpdContr
Silncr
CheckV/ other
Jnt/tube
AirUnt
PresCompn
Mech/ ElecPresSw
ContactSW
AirSens
PresSW Cool
AirFloSens/ Contr
WaterRtSens
TotAirSys (Total Air)
TotAirSys (Gamma)
RefrDry
DesicDry
HiPolymDry
MainFiltr
Dischrg etc
Ending

Dimensions

● MM3000-W

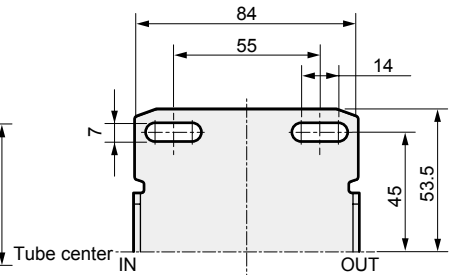
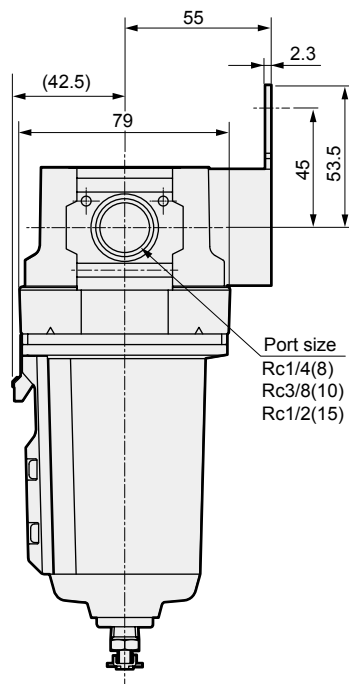
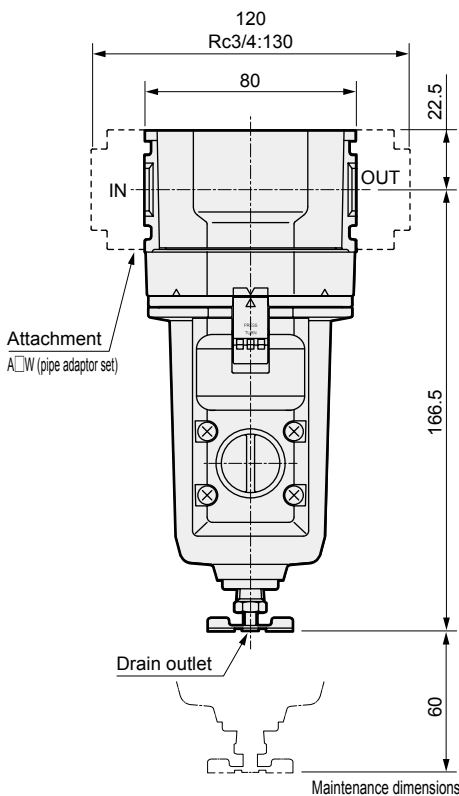


Dimensions of options
Auto-drain (F1)

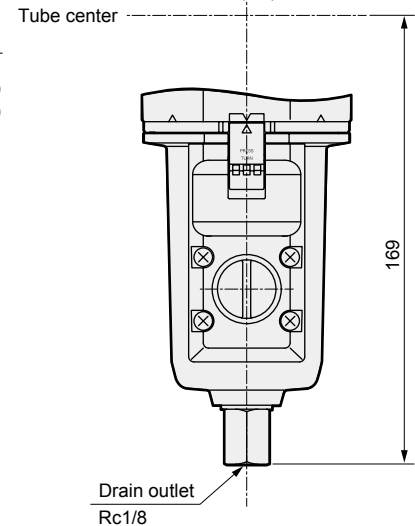


Attachment
C type bracket (-BW)
Part model No.: B420
Material: Steel
Zinc plated

● MM4000-W



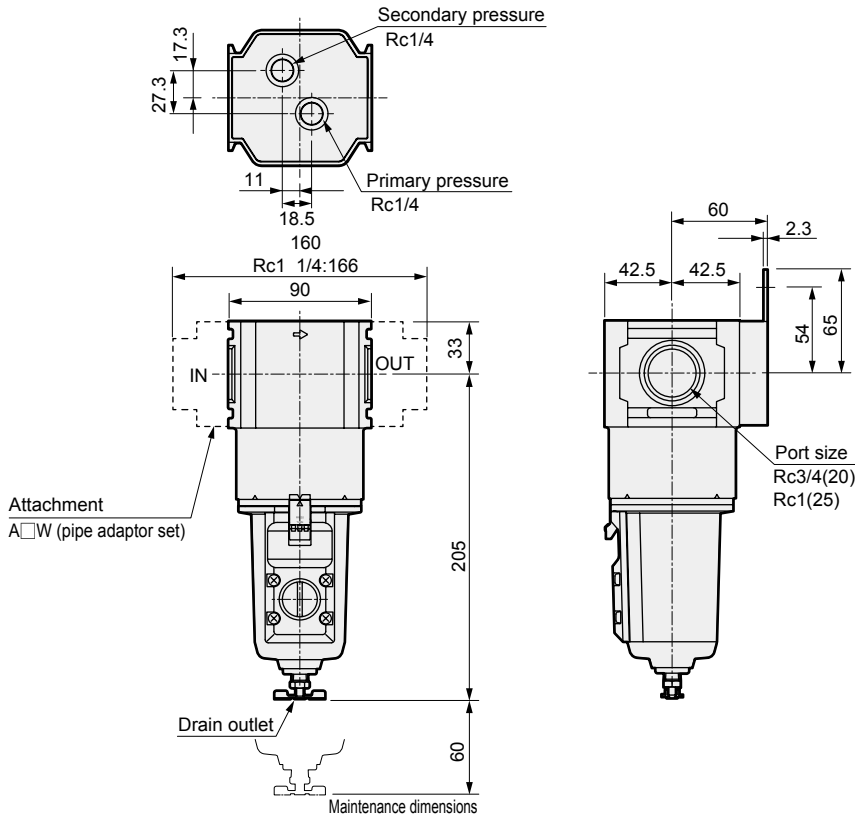
Dimensions of options
Auto-drain (F1)



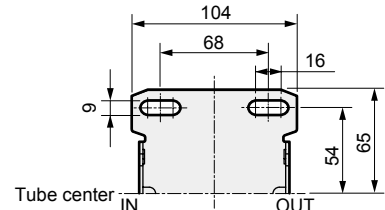
Dimensions

● MM6000-W

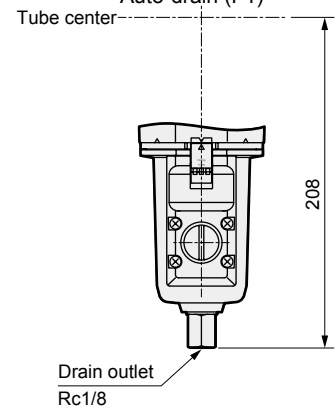
· Dimensions of options
With differential pressure detection port (Q)



· Attachment
C type bracket (-BW)
Part model No.: B620
· Material: Steel
Zinc plated

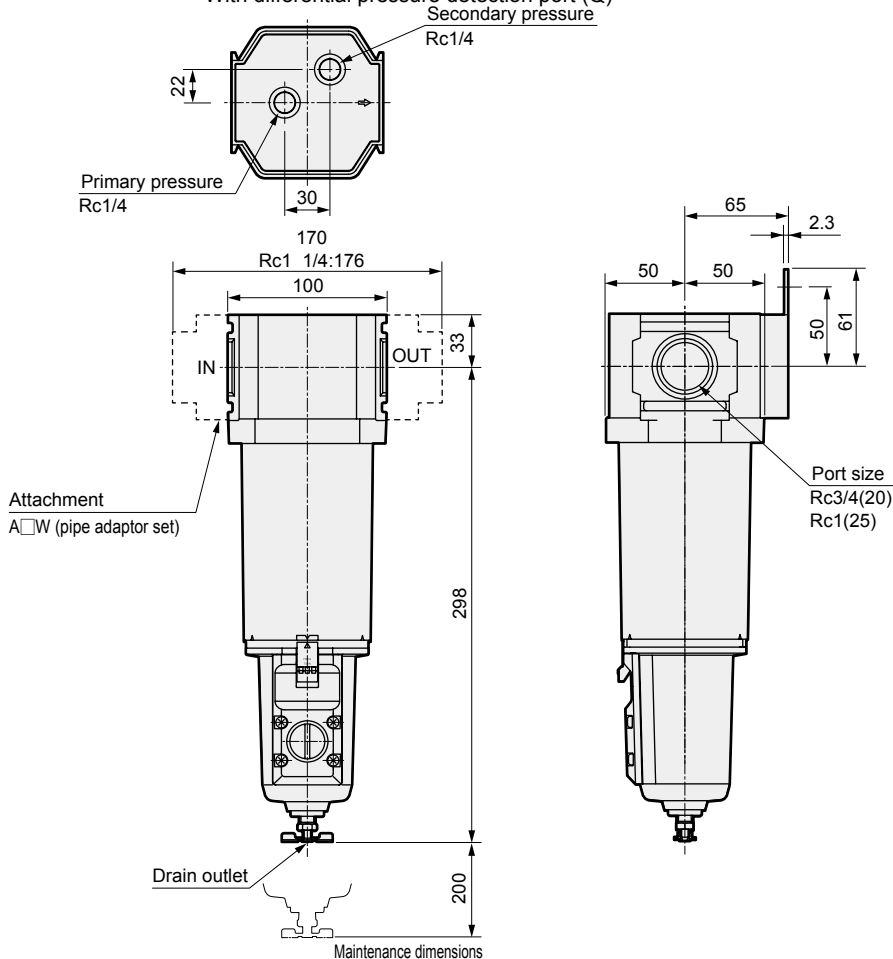


· Dimensions of options
Auto-drain (F1)

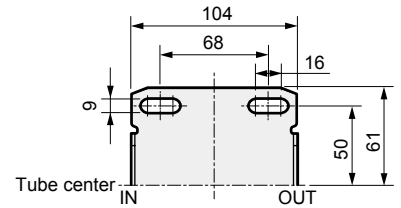


● MM8000-W

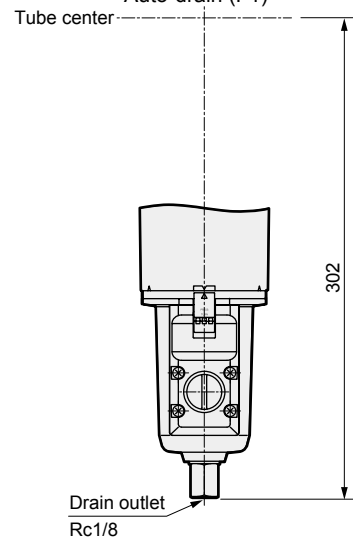
· Dimensions of options
With differential pressure detection port (Q)



· Attachment
C type bracket (-BW)
Part model No.: B820
· Material: Steel
Zinc plated



· Dimensions of options
Auto-drain (F1)



F.R.L
F (Filtr)
R (Reg)
L (Lub)
PresSW
Shutoff
SlowStart
FimResistFR
Oil-ProhR
MedPresFR
No Cu/ PTFE FRL
Outdrs FR
F.R.L (Related)
CompFRL
LgFRL
PrecsR
VacF/R
Clean FR
ElecPneuR
AirBoost
SpdContr
Silncr
CheckV/ other
Jnt/tube
AirUnt
PrecsCompn
Mech/ ElecPresSw
ContactSW
AirSens
PresSW Cool
AirFloSens/ Contr
WaterRtSens
TotAirSys (Total Air)
TotAirSys (Gamma)
RefrDry
DesicDry
HiPolymDry
MainFiltr
Dischrg etc
Ending