

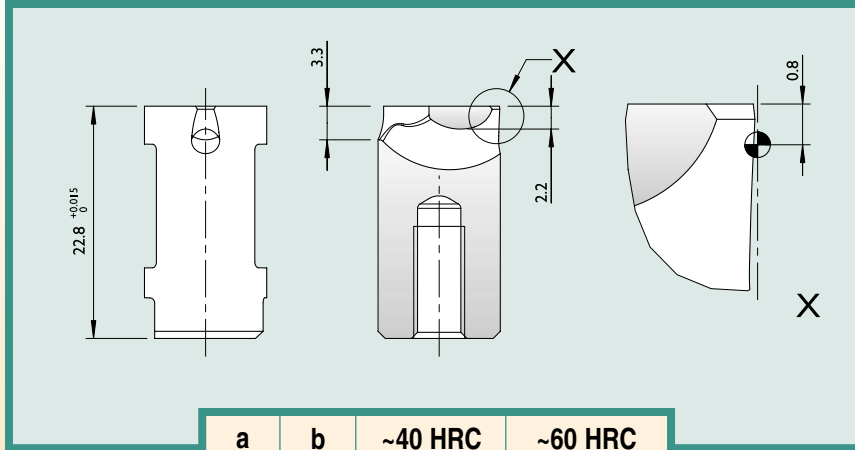


# Cashew Gate Inserts

Ø 12mm

For shot weights up to 70g

## S1 Series



a	b	~40 HRC	~60 HRC
1,2	n/a	TGR12-12-S1-U	TGR12-12-S1-H
1,6	n/a	TGR12-16-S1-U	TGR12-16-S1-H
2,0	n/a	TGR12-20-S1-U	TGR12-20-S1-H

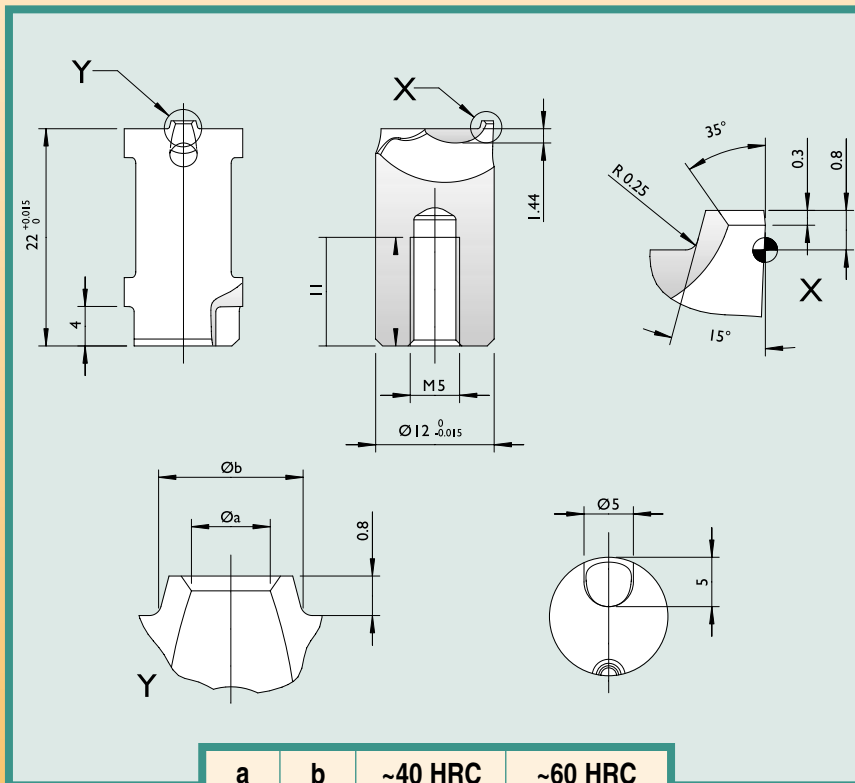


Actual Size



- Manufactured with a flat gate point allowing minor contour machining at the gate point.

## S2 Series



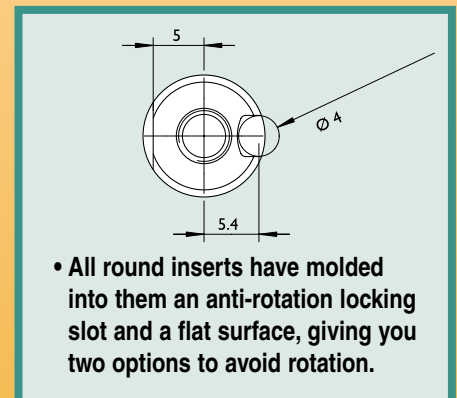
a	b	~40 HRC	~60 HRC
1,2	2,6	TGR12-12-S2-U	TGR12-12-S2-H
1,6	3,0	TGR12-16-S2-U	TGR12-16-S2-H
2,0	3,4	TGR12-20-S2-U	TGR12-20-S2-H



Actual Size



- Manufactured with a raised lip 'X&Y' at the gate point creating a tear mark below the surface of the part.



- All round inserts have molded into them an anti-rotation locking slot and a flat surface, giving you two options to avoid rotation.

CAD files available at:

