



# PRM5

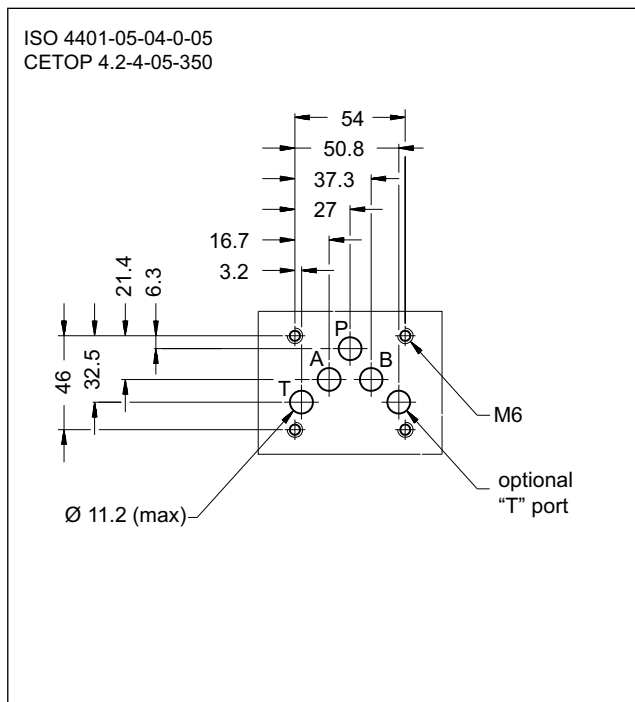
## PILOT OPERATED PRESSURE RELIEF VALVE

### SERIES 10

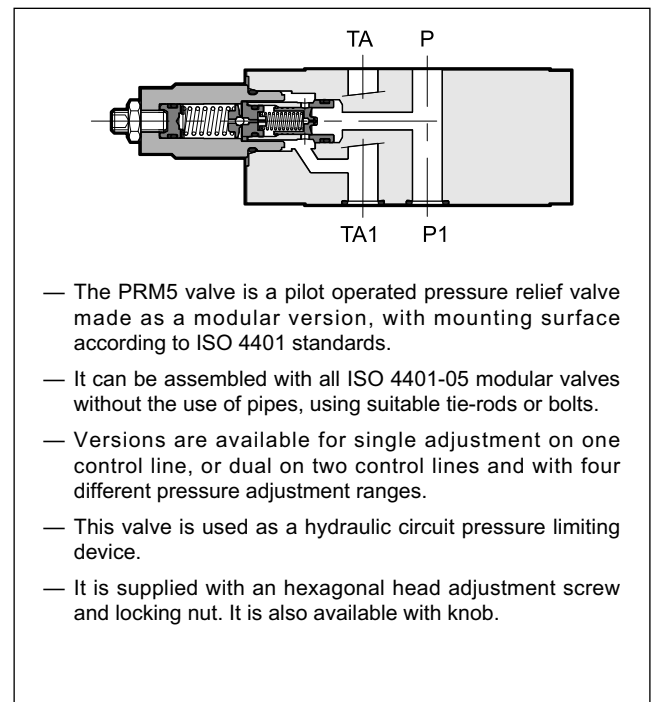
#### MODULAR VERSION ISO 4401-05

**p** max 350 bar  
**Q** max 120 l/min

#### MOUNTING SURFACE



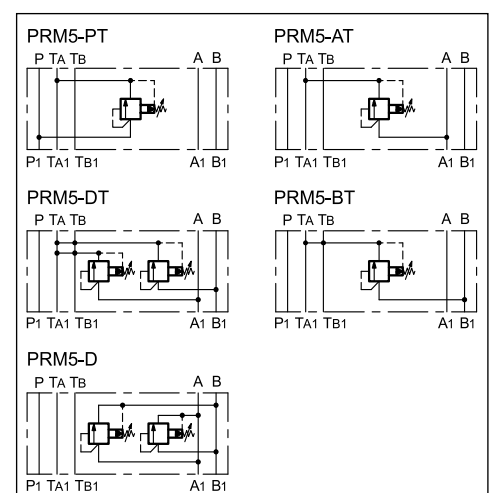
#### OPERATING PRINCIPLE



#### PERFORMANCES (measured with mineral oil of viscosity 36cSt at 50°C)

Maximum operating pressure	bar	350
Minimum controlled pressure	bar	see $\Delta p - Q$ diagram
Max flow	l/min	120
Ambient temperature range	°C	-20 / +60
Fluid temperature range	°C	-20 / +80
Fluid viscosity range	cSt	10 ÷ 400
Fluid contamination degree	According to ISO 4406:1999 class 20/18/15	
Recommended viscosity	cSt	25
Mass: PRM5-PT, -AT, -BT PRM5-DT, -D	kg	2,8 3

#### HYDRAULIC SYMBOLS



### 1 - IDENTIFICATION CODE

<b>P</b>	<b>R</b>	<b>M</b>	<b>5</b>	-	/	<b>10</b>	/	
----------	----------	----------	----------	---	---	-----------	---	--

Pilot operated pressure relief valve  
 Modular version  
 ISO 4401-05 size

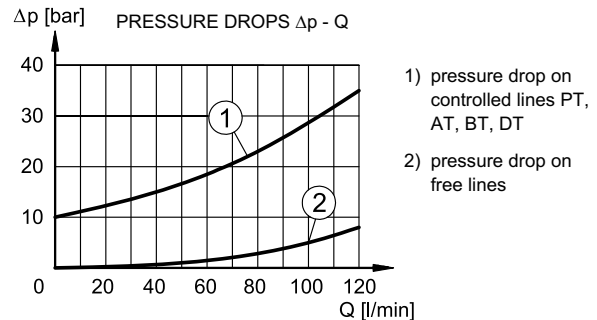
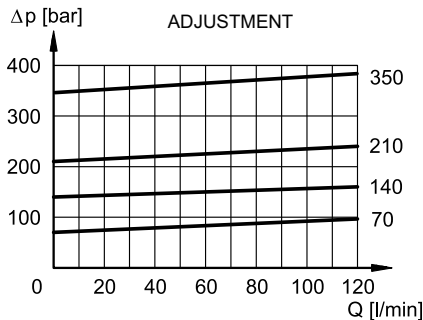
Versions:  
**PT:** single on line P with discharge in TA  
**AT:** single on line A with discharge in TA  
**BT:** single on line B with discharge in TA and TB  
**DT:** double on lines A-B with discharge in TA and TB  
**D:** double on lines A-B with cross discharge

Pressure adjustment range:  
**070** = 14 ÷ 70 bar (17 bar/turn)      **210** = 14 ÷ 210 bar (47 bar/turn)  
**140** = 14 ÷ 140 bar (32 bar/turn)      **350** = 14 ÷ 350 bar (78 bar/turn)

Option: W7 surface treatment. Omit if not required (**NOTE**)  
 Option: **K** = Adjustment knob. Omit for adjustment with hex socket screw (**standard**)  
 Seals:  
**N** = NBR seals for mineral oils (**standard**)  
**V** = FPM seals for special fluids  
 Series No. (the overall and mounting dimensions remain unchanged from 10 to 19)

**NOTE:** Upon request we can supply these valves completely with zinc-nickel surface treatment on the body. Add the suffix **/W7** at the end of the identification code.

### 2 - CHARACTERISTIC CURVES (values obtained with viscosity of 36 cSt at 50°C)



### 3 - HYDRAULIC FLUIDS

Use mineral oil-based hydraulic fluids HL or HM type, according to ISO 6743-4. For these fluids, use NBR seals (code N). For fluids HFDR type (phosphate esters) use FPM seals (code V). For the use of other kinds of fluid such as HFA, HFB, HFC, please consult our technical department. Using fluids at temperatures higher than 80 °C causes a faster degradation of the fluid and of the seals characteristics. The fluid must be preserved in its physical and chemical characteristics.

### 4 - OVERALL AND MOUNTING DIMENSIONS

dimensions in mm

**K VERSION**

1	Socket hex adjustment screw: Hex key 4. Rotate clockwise to increase pressure
2	Locking nut: spanner 13
3	Mounting surface with sealing rings: 5 OR type 2050 (12.42 x 1.78) 90 Shore