

Thermal Management Ventilation Range

Roof | RFU

IP 33/54



Description:

Roof fan unit for mounting on the top of the enclosure providing forced ventilation. The unit is easily installed with a quick fastening system, and the required cutout is the same for the different air flow. Ball bearing.

Material:

Painted mild steel, and injection-moulded thermoplastic (ABS-FR) self extinguishing, UL94V0.

Temperature range:

-15°C to +55°C.

Type of connection:

Terminal strip.

Protection:

IP 33/54.

Finish:

RAL 7035.

Approvals:

EAC, cRUus_UL Recognized.

Pack quantity:

One roof fan unit.



IP 33/54

230 V, 50/60 Hz

Unimpeded airflow (m³/h)	RFU+EFA Air flow (m³/h)	Filter mat (EN779)	Filtration efficiency (%)	Service life L10 (40°C)(h)	Bearing type	Noise (dB)	Item no.
500	268	No filter mat	No filter mat	50.000	Ball	67	RFU5003R5
700	427	No filter mat	No filter mat	40.000	Ball	69	RFU7003R5
1000	582	No filter mat	No filter mat	40.000	Ball	77	RFU10003R5
350	242	G3	81	50.000	Ball	67	RFU5005R5
550	370	G3	81	40.000	Ball	69	RFU7005R5
750	500	G3	81	40.000	Ball	77	RFU10005R5

230 V, 50/60 Hz

IP	Cut-out (mm)	Weight (kg)	Connection	Current (A)	Power (W)	Fuse (A)	Item no.
33	291x291	5.55	Terminal strip	4 x 0.20/0.20	4 x 28/29	6	RFU5003R5
33	291x291	6.15	Terminal strip	0.30/0.36	65/80	6	RFU7003R5
33	291x291	6.45	Terminal strip	0.51/0.66	115/150	6	RFU10003R5
54	291x291	5.55	Terminal strip	4 x 0.20/0.20	4 x 28/29	6	RFU5005R5
54	291x291	6.30	Terminal strip	0.30/0.36	65/80	6	RFU7005R5
54	291x291	4.78	Terminal strip	0.51/0.66	115/150	6	RFU10005R5

115 V AC, 50/60Hz

Unimpeded airflow (m³/h)	RFU+EFA Air flow (m³/h)	Filter mat (EN779)	Filtration efficiency (%)	Service life L10 (40°C)(h)	Bearing type	Noise (dB)	Item no.
500	268	No filter mat	No filter mat	50.000	Ball	67	RFU5013R5
700	427	No filter mat	No filter mat	40.000	Ball	69	RFU7013R5
1000	582	No filter mat	No filter mat	40.000	Ball	77	RFU10013R5
350	242	G3	81	50.000	Ball	67	RFU5015R5
550	370	G3	81	40.000	Ball	69	RFU7015R5
750	500	G3	81	40.000	Ball	77	RFU10015R5

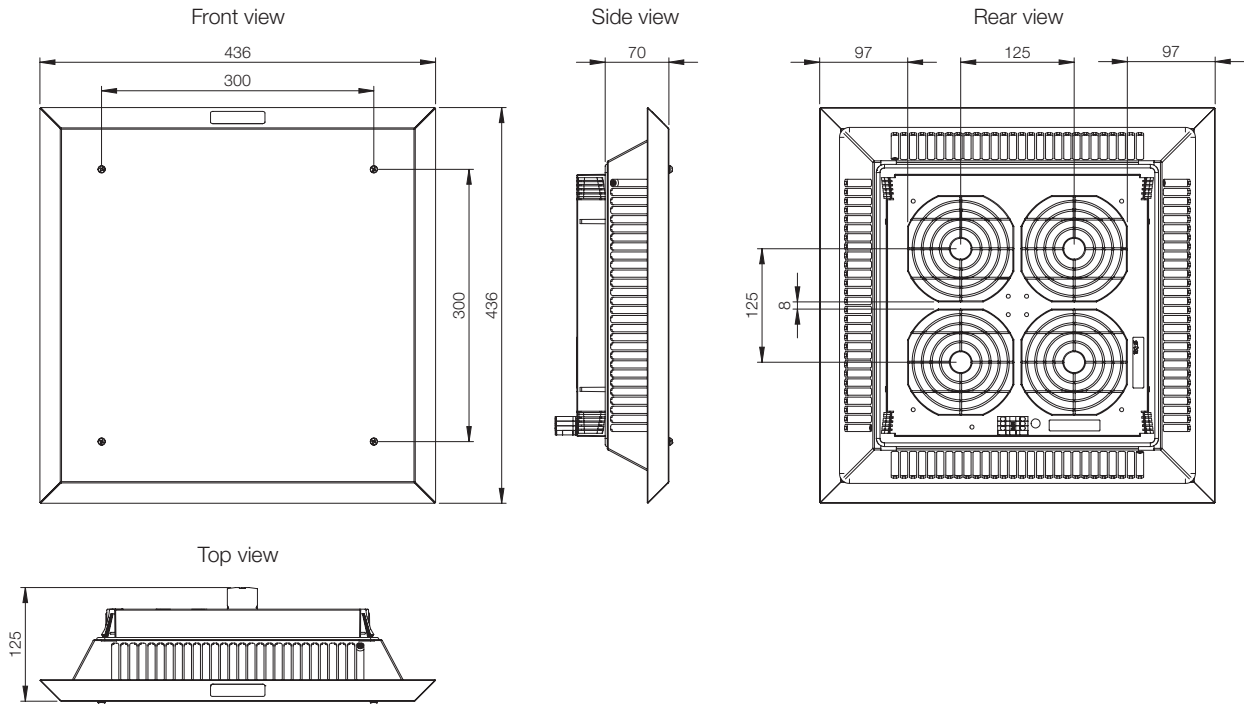
115 V AC, 50/60Hz

IP	Cut-out (mm)	Weight (kg)	Connection	Current (A)	Power (W)	Fuse (A)	Item no.
33	291x291	5.60	Terminal strip	4 x 0.30/0.30	4 x 29/24	6	RFU5013R5
33	291x291	4.56	Terminal strip	0.66/0.80	75/90	6	RFU7013R5
33	291x291	4.78	Terminal strip	0.96/1.40	110/160	6	RFU10013R5
54	291x291	5.33	Terminal strip	4 x 0.30/0.30	4 x 29/24	6	RFU5015R5
54	291x291	4.56	Terminal strip	0.66/0.80	75/90	6	RFU7015R5
54	291x291	4.78	Terminal strip	0.96/1.40	110/160	6	RFU10015R5

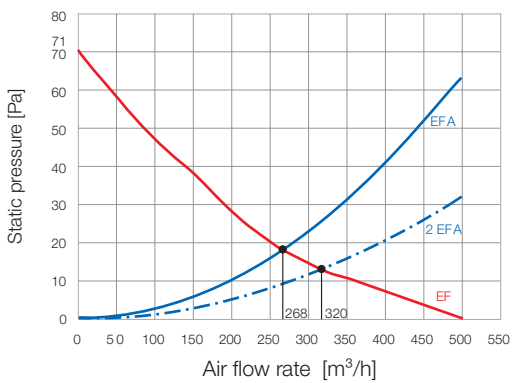
(1) The value in the table is for the combination RFU + EFA500-700R5.

Dimensional drawing | RFU

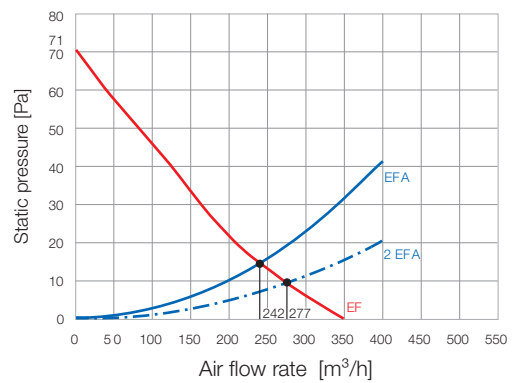
RFU5003R5 / RFU5005R5
RFU5013R5 / RFU5015R5



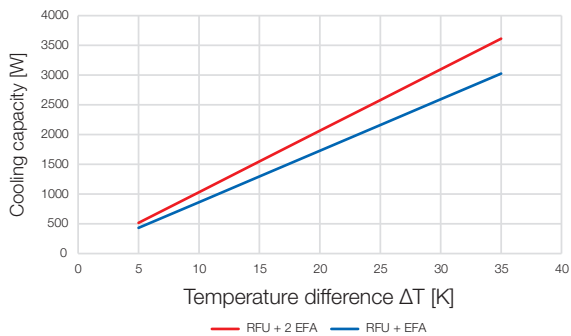
RFU5005R5 / RFU5015R5
Static pressure diagram



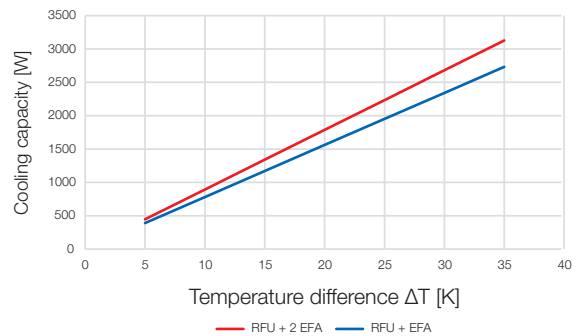
RFU5003R5 / RFU5013R5
Static pressure diagram



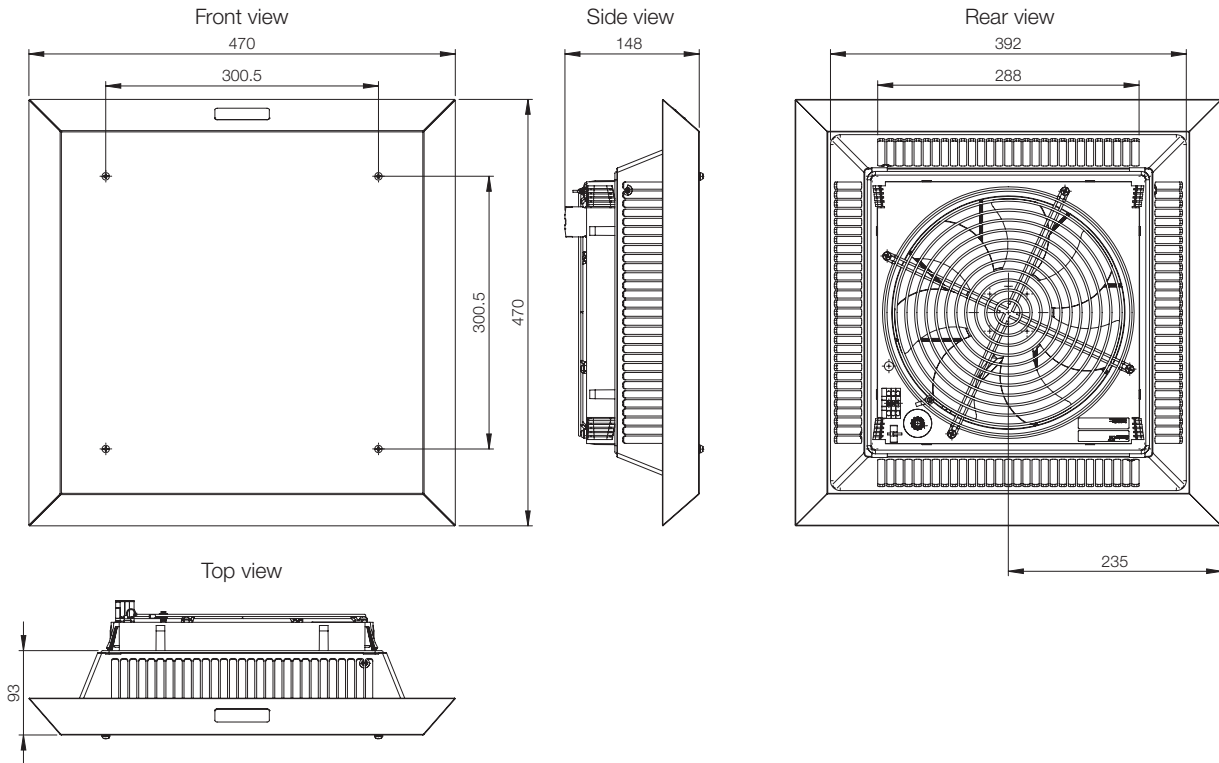
Performance



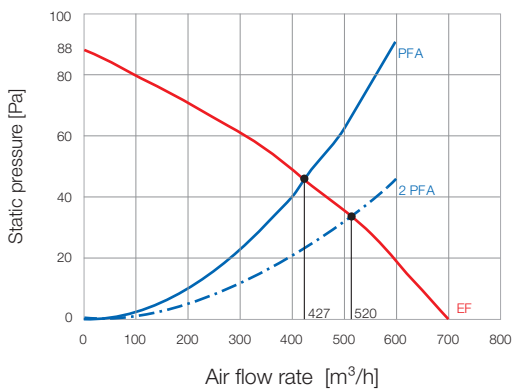
Performance



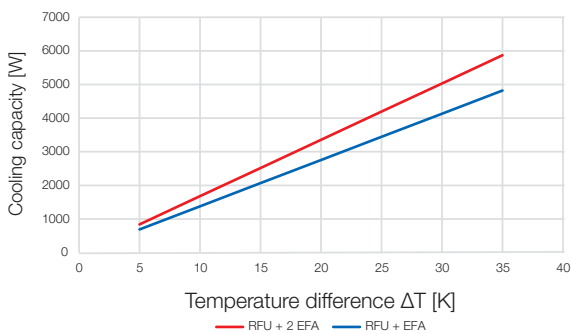
RFU7003R5 / RFU7005R5
RFU7013R5 / RFU7015R5



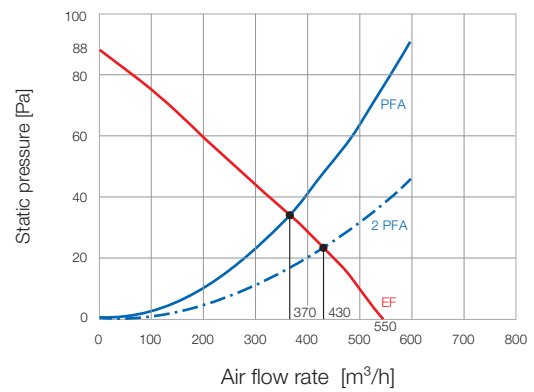
RFU7005R5 / RFU7015R5
Static pressure diagram



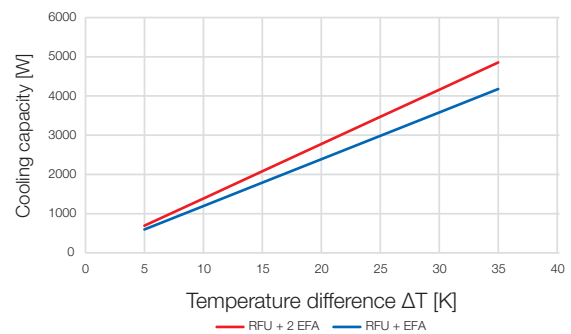
Performance



RFU7003R5 / RFU7013R5
Static pressure diagram

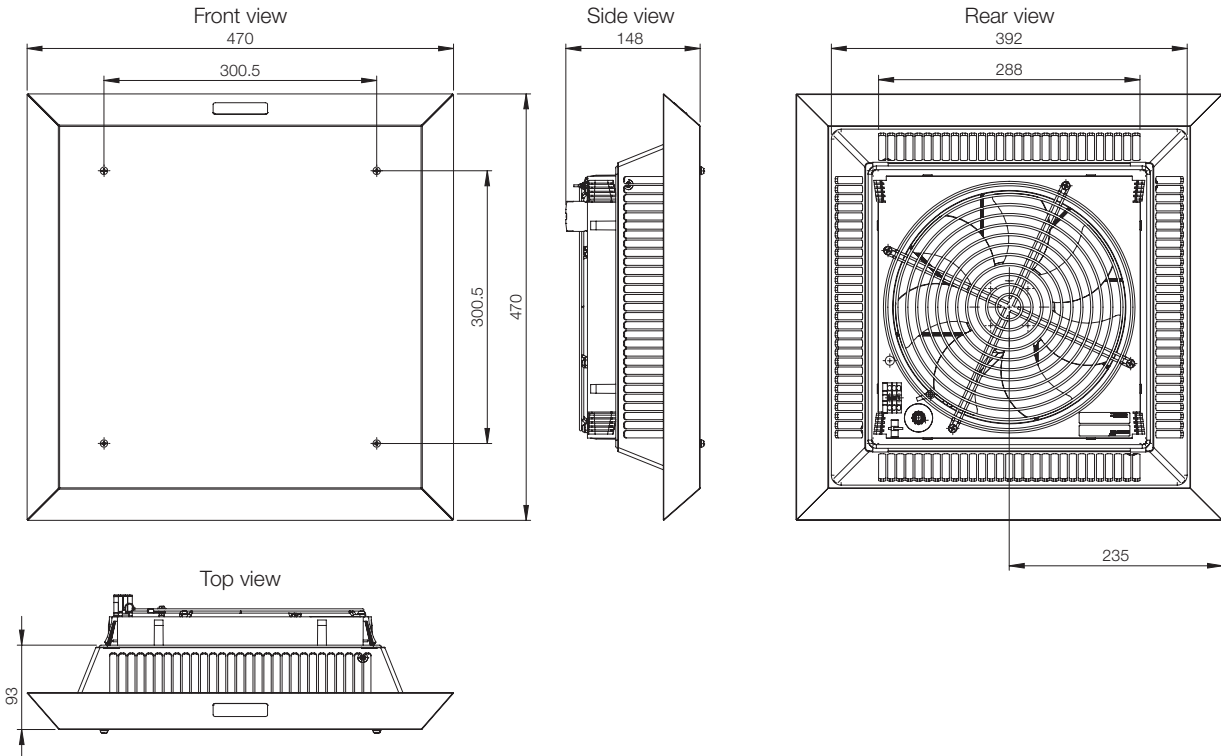


Performance

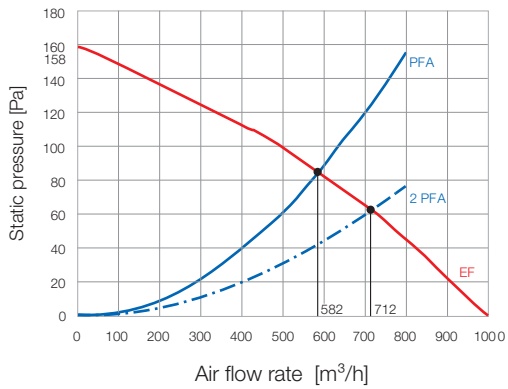


Dimensional drawing | RFU

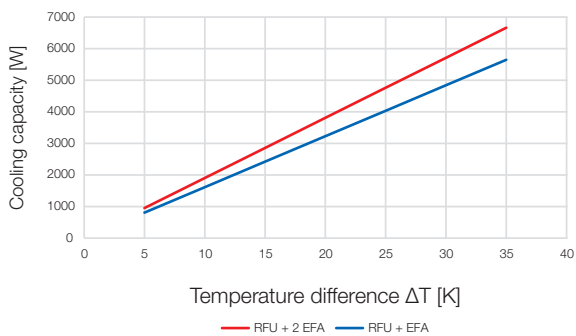
RFU10003R5 / RFU10005R5
RFU10013R5 / RFU10015R5



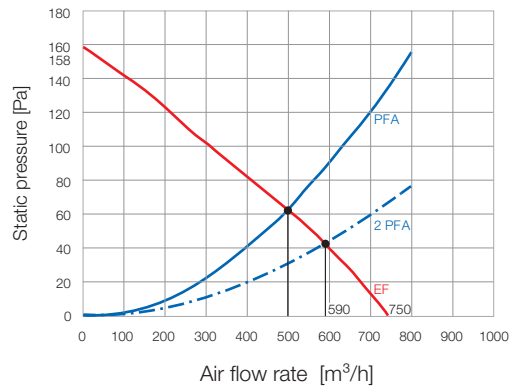
RFU10005R5 / RFU10015R5
Static pressure diagram



Performance



RFU10003R5 / RFU10013R5
Static pressure diagram



Performance

