

Floor Standing Enclosures

VME Range



Floor Standing Enclosures

VME Range

Typical Application | Mild Steel

Building HVAC

Process Automation

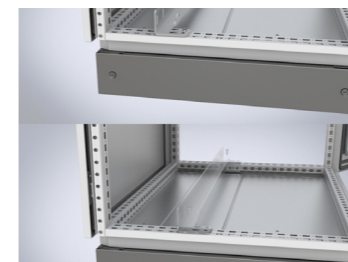


Eldon customers in Sweden can now access the upgraded VME floor standing enclosure range that delivers a number of key ease-of-use benefits such as improved accessibility, greater installation flexibility and a full width installation surface. Enclosures are provided with a sliding profile and full width mounting plate, allowing to assemble the components before fix it in the enclosure.



Building HVAC

Heating, ventilation and air conditioning systems, mostly referred to as HVAC systems, control the temperature, humidity and quality of air in residential, commercial, and industrial buildings. Cabinets used for Building HVAC applications are products with proven design and reliability. The Eldon VME enclosures, with their user friendly and ready to use design, are a reliable choice for panel builders and installers active in this market.



Greater flexibility

Customers can adjust the mounting plate in depth in order to meet with their specific requirements.



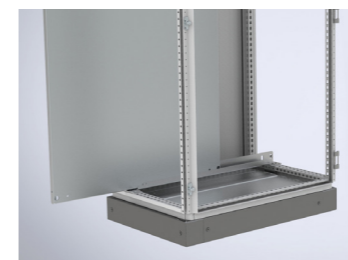
User friendly

Doors as well as the rear, bottom, top and side panels can be easily removed. This allows easy access for cabin and/or mounting of interior components, plus simplified drilling and hide-making.



Compatible with floor standing platform

The VME range is based on the same design as the combinable floor standing range, allowing the use of the same internal accessories and door configurations. Combined with other enclosures, it creates a harmonized aesthetic impression.



Full width installation

VME range provides an installation surface over the full width of the enclosure by using sliding profile.

Floor Standing Enclosures

VME Range | Mild Steel

Single door: IP 56 | TYPE 4, 12, 13 | IK 10

Double door: IP 55 | TYPE 12, 13 | IK 10



Material:

Frame: 1.5 mm painted steel. Door: 2 mm painted steel. Rear, roof and side panels: 1.5 mm painted steel. Mounting plate: 3 mm galvanized steel. Bottom plates: 1 mm galvanized steel.

Frame:

Seam welded reversed open profiles with 25 mm hole pattern according to DIN 43660. Including integrated external hole pattern.

Door:

Mounted with four hinges. Including door frame with 25 mm hole pattern. Door cannot be reversed. Separate door table ordered for left hand door locking.

Rear panel:

Fitted by M6 torx screws. Standard facilities for rear door mounting. Split rear panels in 1600 wide enclosures.

Side panels:

Supplied as an accessory.

Roof panel:

Removable.

Lock:

Espagnolette 4-point locking system. Does not interfere with the enclosure inner space. Standard double-bit lock with 3 mm insert. Can be exchanged for standard inserts or Euro-cylinder and a lift handle.

Bottom plates:

Consists of three or four (D>600) pieces.

Mounting plate:

Double folded and adjustable in depth by steps of 25 mm.

Earthing:

All panels are earthed through their fittings and are equipped with a separate earthing stud.

Finish:

RAL 7035 structured powder coating.

Protection:

Complies with:
Single door: IP 56 | TYPE 4, 12, 13 | IK 10
Double door: IP 55 | TYPE 12, 13 | IK 10

Mounting requirement:

Standard delivery ready for combined installation. For stand-alone installation add side panels.

Delivery:

Frame with fitted door, rear panel, roof panel and bottom plates. Mounting plate (MTW) and sliding profile (MTS) deliver unmounted. Delivery includes earthing bolts. Delivered on a pallet which is identical to the width of the enclosure to allow suiting without removal. All packing material is recyclable.



Dimensional table | VME

Single door: IP 56 | TYPE 4, 12, 13 | IK 10

Double door: IP 55 | TYPE 12, 13 | IK 10

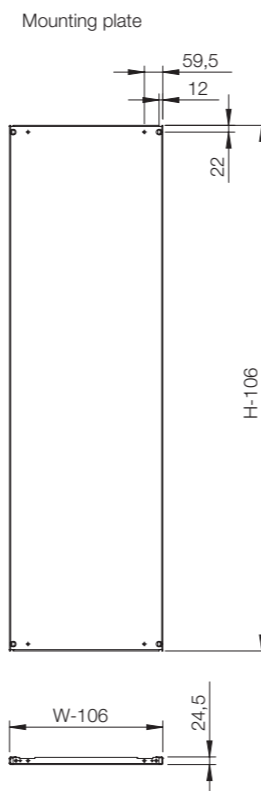
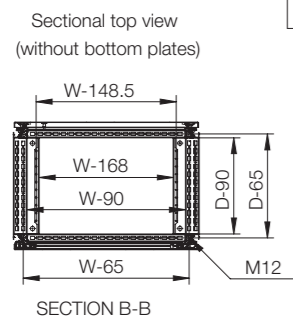
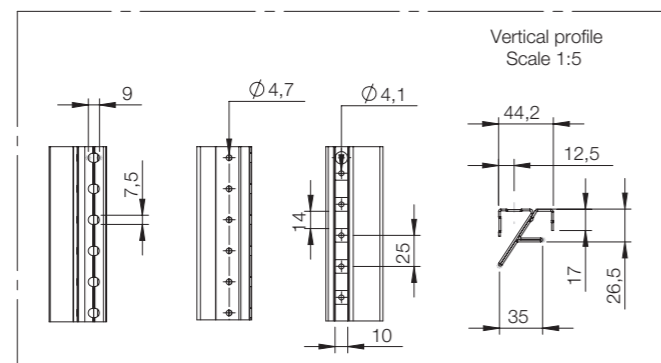
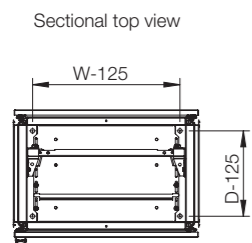
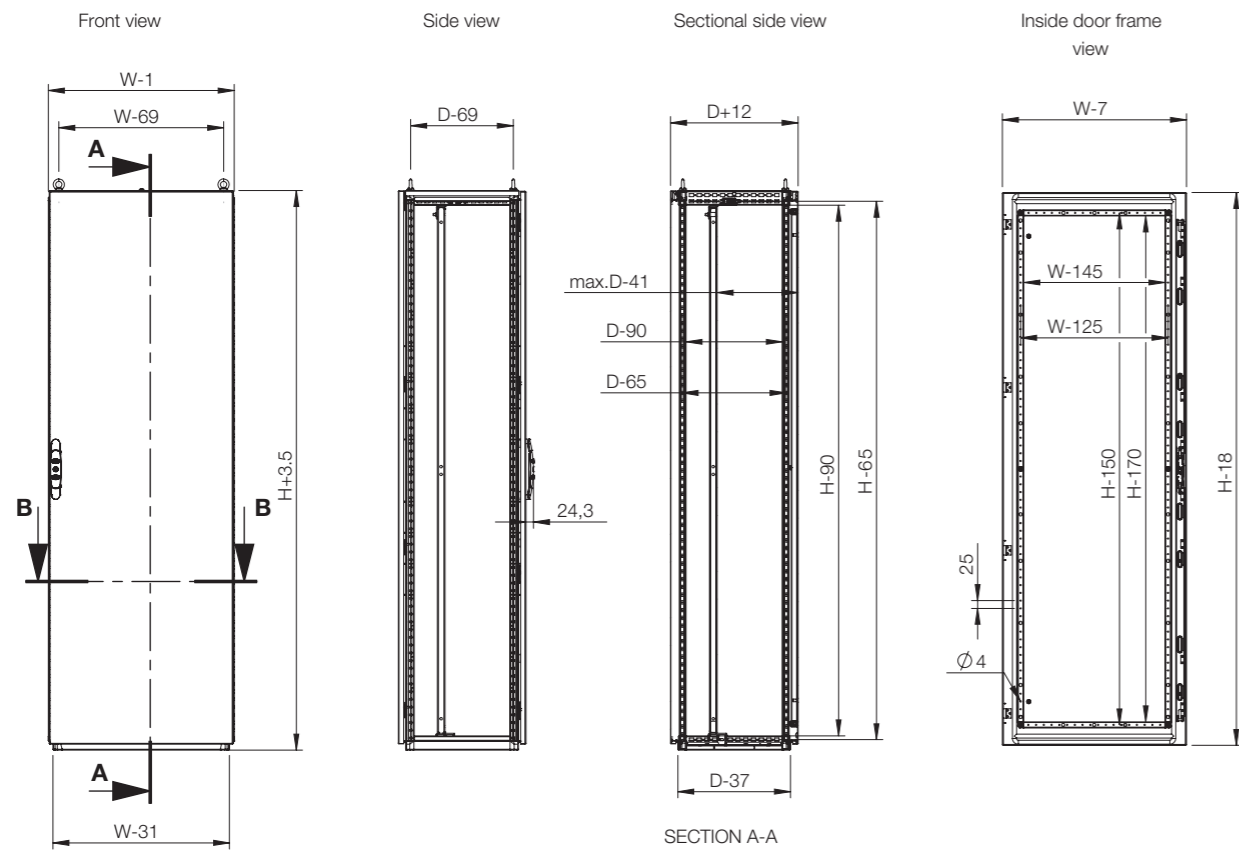
With mounting plate

Enclosure dimensions			Mounting plate dimensions		No. of doors	Item no.
H	W	D	h	w		
1800	600	400	1694	599	1	VME18064CR5
1800	600	500	1694	599	1	VME18065CR5
1800	800	400	1694	799	1	VME18084CR5
1800	800	500	1694	799	1	VME18085CR5
1800	1000	400	1694	999	1	VME18104CR5
1800	1000	500	1694	999	1	VME18105CR5
1800	1200	400	1694	1199	2	VME18124CR5
1800	1200	500	1694	1199	2	VME18125CR5
1800	1600	400	1694	1599	2	VME18164CR5
2000	600	400	1894	599	1	VME20064CR5
2000	600	500	1894	599	1	VME20065CR5
2000	600	600	1894	599	1	VME20066CR5
2000	800	400	1894	799	1	VME20084CR5
2000	800	500	1894	799	1	VME20085CR5
2000	1000	400	1894	999	2	VME20104CR5
2000	1000	500	1894	999	2	VME20105CR5
2000	1200	400	1894	1199	2	VME20124CR5
2000	1200	500	1894	1199	2	VME20125CR5
2000	1200	600	1894	1199	2	VME20126CR5
2000	1600	400	1894	1599	2	VME20164CR5*

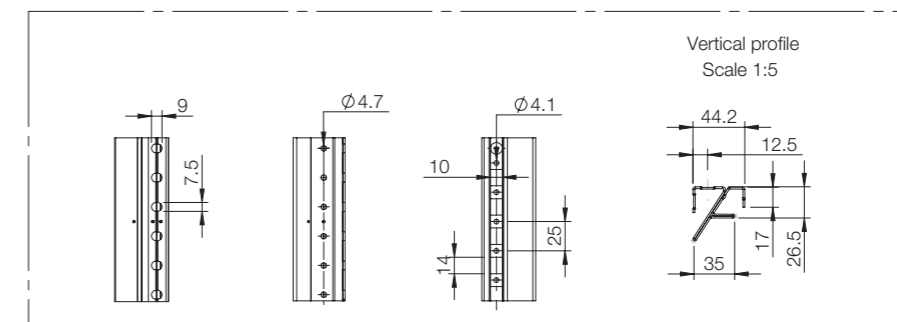
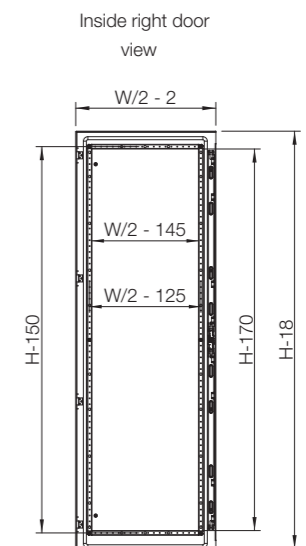
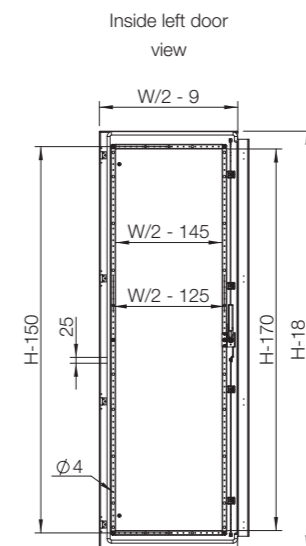
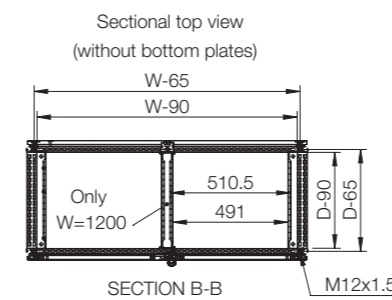
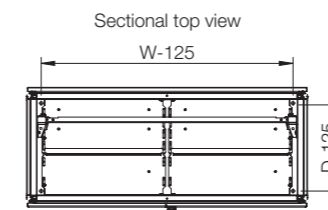
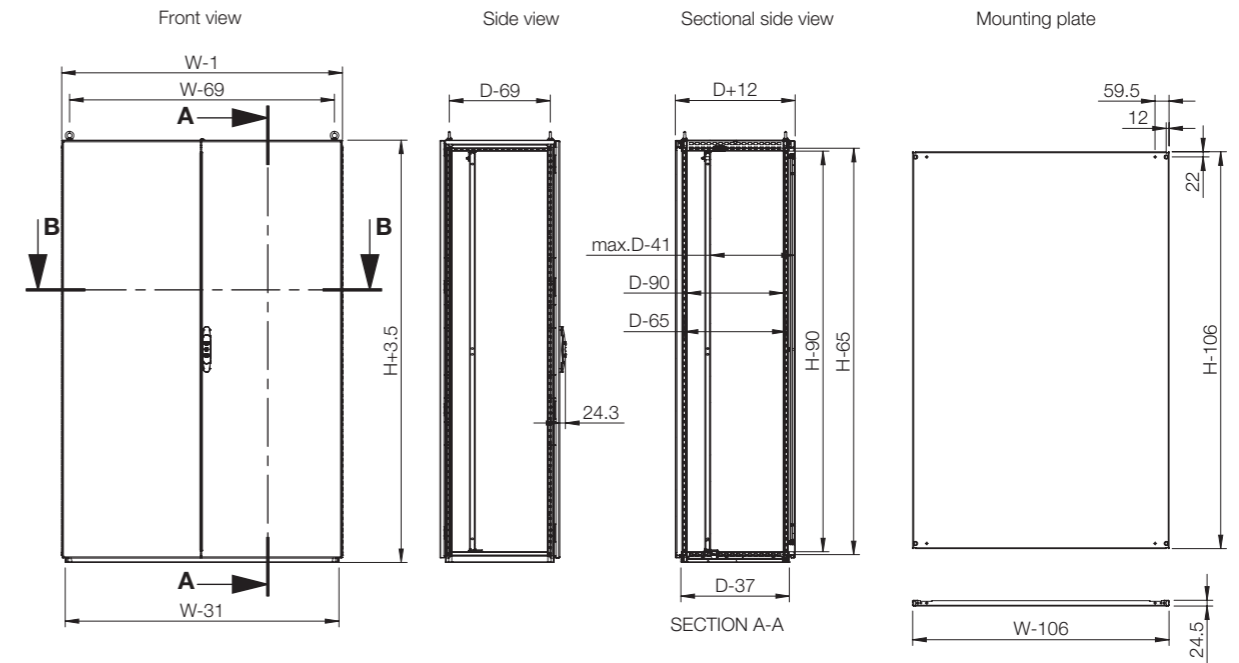
*1600 mm wide mounting plates are supplied as two 800 mm wide mounting plates (MPW2008)



Dimensional drawing | VME, single door



Dimensional drawing | VME, double door





Floor Standing, VME range, March 2017.
© Eldon Holding AB. All rights reserved.

www.eldon.com