

SENSOR LIQUID SOAP DISPENSER L109E



148 x 298 x 130 mm

500 ml soap bottle

- Liquid soap dispenser in robust, germ-reducing and easy-care stainless steel (AISI 316L).
- All-stainless steel housing; all corners fully welded, visible surfaces satin finished and brushed. Further available surfaces: see below.
- Tapered front with vertical curved recess.
- With EWAR® eModule touch-free operated and non-drip soap pump.
- Designed for standard 500 ml bottles of liquid soap or hand lotion.
- Square perforations to indicate fill level.
- Accessible for refilling through lockable front flap with fall protection.
- Keyed alike cylinder lock in corrosion-resistant zinc die-casting.
- eModule battery-powered with two 1.5 V Baby/LR14 batteries. Power supply available as an option.
- Wear parts can be replaced as modules.
- Mounting: With four screws through key holes and one optional anti-theft hole in the back wall.
- Delivery includes fixing material and first fill with soap.
- Weight, including single package: 3.3 kg

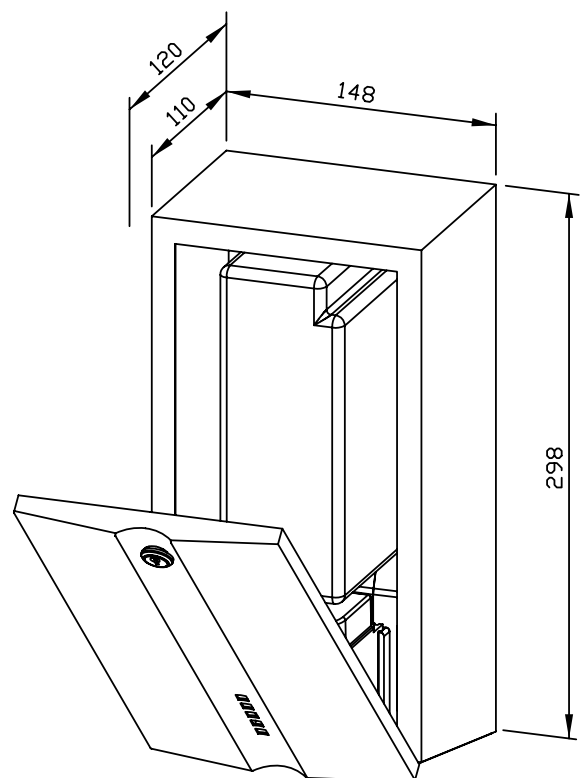


Suggested text for specifications:

Sensor liquid soap dispenser in stainless steel (AISI 316L) for surface mounting. All-stainless steel housing; all corners fully welded, visible surfaces satin finished and brushed. Tapered front with vertical curved recess. With touch-free operated and non-drip soap pump. Designed for standard 950 ml disposable bottles of liquid soap or hand lotion. Square perforations to indicate fill level. Accessible for refilling through lockable front flap with fall protection. Keyed alike cylinder lock in corrosion-resistant zinc die-casting. Delivery includes fixing material, batteries and first fill with soap.

Dimensions: 148 x 298 x 130 mm

Article No. L109e



Options	ID No.
Power supply for eModule	923 060

Available surfaces	ID No.
satin finished (standard)	828 510
(coloured) plastic powder-coating	829 510

Ernst Wagner GmbH & Co. KG

Ernst-Abbe-Straße 21 · D-72770 Reutlingen · Tel.: +49712151539-0 · Fax: -20
info@wagner-ewar.de · www.wagner-ewar.de

WAGNER
EWAR