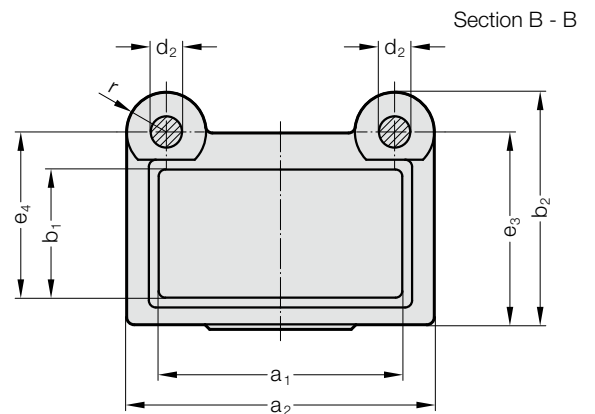
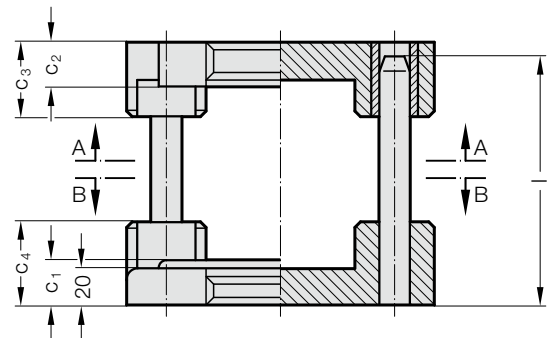
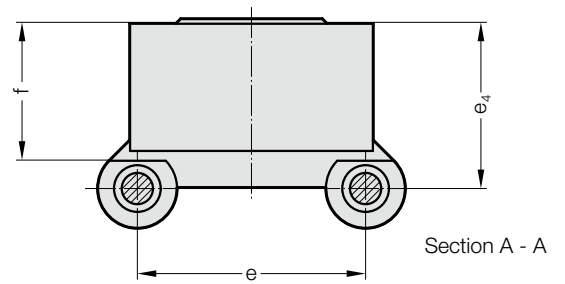


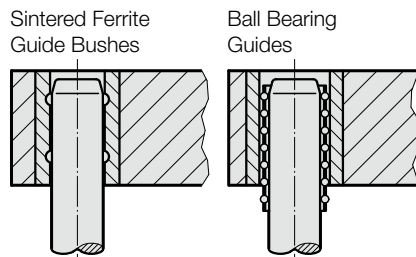
# DIE SET



201.33.



## Guide Elements



Order No (part 2)  
Without shank thread  
in top bolster



## 201.33. Die set

Order No part 1*	Work area															
	a <sub>1</sub> x b <sub>1</sub>	a <sub>2</sub>	b <sub>2</sub>	C <sub>1</sub>	C <sub>2</sub>	C <sub>3</sub>	C <sub>4</sub>	d <sub>2</sub>	e	e <sub>3</sub>	e <sub>4</sub>	f	l	r		
201.33.063.050.□□□□□□	63 x 50	116	110	25	25	40	45	16	72	88	74	57	125 - 355	22		
201.33.080.060.□□□□□□	80 x 60	116	117	25	25	40	45	20	72	95	81	62	160 - 400	22		

\*Order number part 2 = add guide type and guide pillar type/length  
 Order example, see beginning of chapter A cast pillar frames