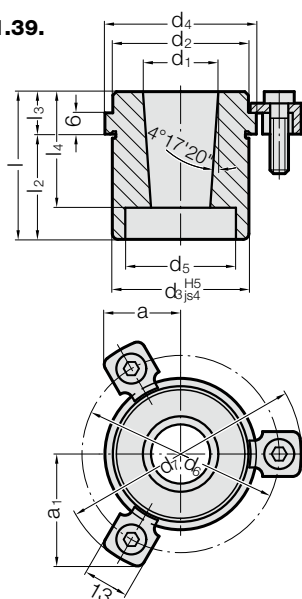
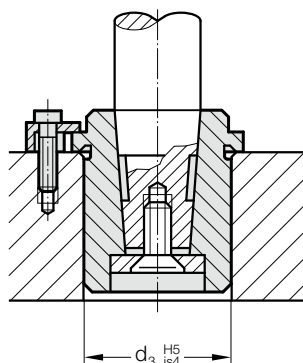


RETAINING BUSH FOR GUIDE PILLAR CONICAL 2021.50., DIN 9825/ISO 9182-4

2021.39.



Mounting example



Material:

16 MnCr5,
case hardened 58 ± 2 HRC
Hardness penetration: ≥ 0,8 mm

Execution:

Retaining bore, outside diameter and shoulder precision ground.

Note:

Outside diameter d_3 same as that of guide bushes 2081. and 2091.
The attachment is with 3 Screw clamp, from $\varnothing d_1 = 38$ with 4 Screw clamp, which are included in delivery (Order No: 207.45 - Screw clamp incl. socket cap screw DIN 6912, Head $\varnothing 13$).
☞ Assembly guide lines / Dimensional requirements and tolerances at the end of chapter D.

2021.39. Retaining bush for guide pillar conical 2021.50., DIN 9825/ISO 9182-4

d_1	19 20	24 25	30 32	38 40	48 50	60 63
d_2	32	40	48	58	70	85
d_3	32	40	48	58	70	85
d_4	40	48	56	66	80	95
d_5	23	26	33	41	51	64
d_6	53	60	67	77	91	106
d_7	65.7	72.7	79.7	89.7	103.7	118.7
a	20.9	22.65	24.4	35.3	40.2	45.5
a_1	30.3	33.4	36.4	35.3	40.2	45.5
l	42 49	49 59	52 62	62 75	65 78	78 95
l_2	30 37	37 47	37 47	47 60	47 60	60 77
l_3	12	12	15	15	18	18
l_4	39	36	49	49	59	70

Ordering Code (example):

Retaining bush for guide pillar conical 2021.50.,			
DIN 9825/ISO 9182-4		= 2021.39.	
Nominal diameter d_1	38 mm	=	038.
Installation length l_2	47 mm	=	047
Order No		=	2021.39. 038. 047