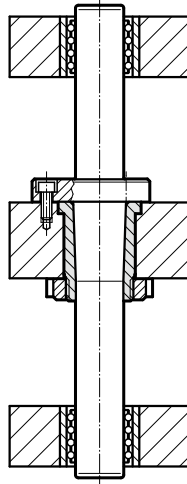


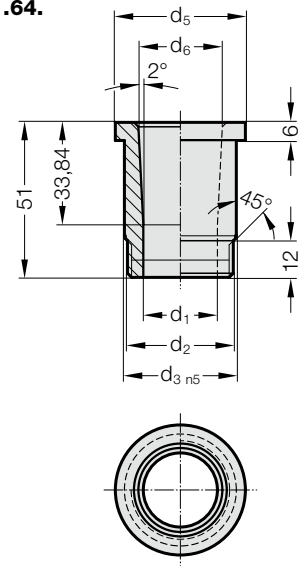
RETAINING BUSH FOR GUIDE PILLAR CONICAL 2020.64.



Mounting example



2021.64.



Material:

16 MnCr5

Surface hardness: 60 ± 2 HRC, Hardness penetration 0,8–1 mm

Execution:

Thread not hardened

Fixing:

2073.48.□□15 order separately.

2021.64. Retaining bush for guide pillar conical 2020.64.

Order No	d ₁	d ₂	d ₃	d ₅	d ₆
2021.64.025	25.5	M35x1,5	37	43	27.86
2021.64.032	32.5	M40x1,5	44	50	34.86