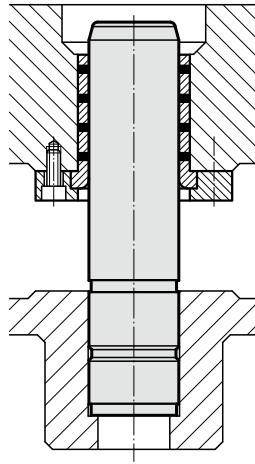


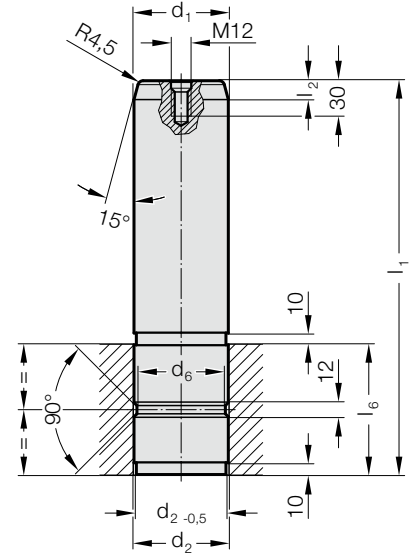
GUIDE PILLAR WITH GROOVE, TO CNOMO



Mounting example



2022.16.45.



Material:

Steel, surface hardened
 Surface hardness: 60 + 3 HRC, Hardness penetration 2 + 1,6 mm

Execution:

precision ground

Note:

Fit for receiving bore H7.
 Guide pillar is recommended to be used only with guide elements with solid lubricant.
 ☞ Matching guide combinations, see selection matrix at the beginning of chapter D.

2022.16.45. Guide pillar with groove, to CNOMO

| | | |
|----------------|---------------|---------------|
| d ₁ | 80 | 100 |
| Tolerance | -0,010/-0,025 | -0,010/-0,025 |
| d ₂ | 80 | 100 |
| Tolerance | +0,04/+0,05 | +0,045/+0,055 |
| d ₆ | 75 | 95 |
| l ₂ | 16 | 16 |
| l ₆ | 110 | 140 |
| l ₁ | | |
| 350 | ● | |
| 400 | ● | ● |
| 450 | | ● |

Ordering Code (example):

| | | |
|------------------------------------|----------|---------------------|
| Guide pillar with groove, to CNOMO | = | 2022.16.45. |
| Diameter of conduit d ₁ | 100 mm = | 100. |
| Length l ₁ | 400 mm = | 400 |
| Order No | = | 2022.16.45. 100.400 |